

Mover[®] Expansion Joint

STYLE 150

The Victaulic Style 150 Mover[®] is a slip-type expansion joint providing up to 3"/80mm axial end movement. Mover expansion joints permit easy adjustments prior to installation, to accommodate expansion, contraction or both. It is designed for service up to +230°F/+110°C and for working pressures up to 350 psi/2400 kPa; depending on the type of coupling used for installation.

Style 150 is supplied with grooved ends for installation with the use of Style 07 Zero-Flex[®] rigid couplings or with plain ends for use with Style 99 Roust-A-Bout[®] couplings.

See 09.06 and 26.02 for design installation information.



MATERIAL SPECIFICATIONS

Housing: Ductile iron conforming to ASTM A-536, grade 65-45-12. Ductile iron conforming to ASTM A-395, grade 65-45-15, is available upon special request.

Housing Coating: Orange enamel. For others, contact Victaulic.

Body, End: Carbon Steel, Schedule 40, conforming to ASTM A-53, Type E or S, Grade B.

Slide: Schedule 40, cold drawn seamless tubing, conforming to AISI 1015 or 1018.

Body/End Coating: Black enamel. For others contact Victaulic.

Slide Coating: Polyphenylene sulfide modified with polytetrafluorethylene (PPS/PTFE).

Gasket Grade: (specify choice*)

- **Grade "E" EPDM**
EPDM (Green color code). Temperature range -30°F to +230°F/-34°C to +110°C. Recommended for cold and hot water service within the specified temperature range plus a variety of dilute acids, oil-free air and many chemical services. UL classified in accordance with ANSI/NSF 61 for cold (30°C) and hot (82°C) potable water service. NOT RECOMMENDED FOR PETROLEUM SERVICES.
- **Grade "T" nitrile**
Nitrile (Orange color code). Temperature range -20°F to +180°F/-29°C to +82°C. Recommended for petroleum products, air with oil vapors, vegetable and mineral oils within the specified temperature range. Not recommended for hot water services over +150°F/+66°C or for hot dry air over +140°F/+60°C.

* Services listed are General Service Recommendations only. It should be noted that there are services for which these gaskets are not recommended. Reference should always be made to the latest Victaulic Gasket Selection Guide for specific gasket service recommendations and for a listing of services which are not recommended.

Bolts/Nuts: Heat-treated plated carbon steel, trackhead meeting the physical and chemical requirements of ASTM A-449 and physical requirements of ASTM A-183.

JOB/OWNER

System No. _____
Location _____

CONTRACTOR

Submitted By _____
Date _____

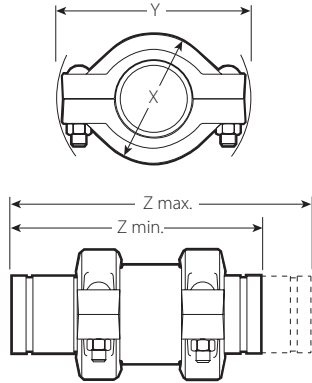
ENGINEER

Spec Sect _____ Para _____
Approved _____
Date _____

Mover® Expansion Joint

STYLE 150

DIMENSIONS



Size		Max. Work. Pressure psi kPa	Max. Avail. Movement Inches mm	Dimensions – Inches/mm				Approx. Wgt. Each Lbs. kg
Nominal Size Inches mm	Actual Outside Diameter Inches mm			Height X	Width Y	Length Z		
		Minimum	Maximum					
2 50	2.375 60.3	350 2410	3 76.2	3.38 86	5.50 139	11.88 302	14.88 378	15.9 7.2
76.1 mm	3.000 76.1	350 2410	3 76.2	4.38 111	6.75 171	12.13 308	15.13 384	38.0 17.2
3 80	3.500 88.9	350 2410	3 76.2	4.75 121	7.25 184	12.13 308	15.13 384	25.6 11.6
4 100	4.500 114.3	350 2410	3 76.2	6.25 159	9.00 229	14.13 359	17.13 435	39.6 18.0
139.7 mm	5.50 139.7	350 2410	3 76.2	6.25 159	9.00 229	14.13 359	17.13 435	56.0 25.4
5 125	5.563 141.3	350 2410	3 76.2	7.12 181	10.75 273	14.13 359	17.13 435	55.0 24.9
165.1 mm	6.50 165.1	350 2410	3 76.2	8.63 219	12.00 305	16.00 406	19.00 483	75.0 34.0
6 150	6.625 168.3	350 2410	3 76.2	8.63 219	12.00 305	16.00 406	19.00 483	75.0 34.0

WARRANTY

Refer to the Warranty section of the current Price List or contact Victaulic for details.

NOTE

This product shall be manufactured by Victaulic or to Victaulic specifications. All products to be installed in accordance with current Victaulic installation/assembly instructions. Victaulic reserves the right to change product specifications, designs and standard equipment without notice and without incurring obligations.

INSTALLATION

Reference should always be made to the I-100 Victaulic Field Installation Handbook for the product you are installing. Handbooks are included with each shipment of Victaulic products for complete installation and assembly data, and are available in PDF format on our website at www.victaulic.com.

