

Foundation drilling tools



SANDVIK

Foundation drilling tools

S

Page

Overburden drilling tools, OD72 75

T

Overburden drilling tools, OD92 78

N

Eccentric drilling tools, Tubex 76/127 81

E

Eccentric drilling tools, Tubex XL90/115 84

T

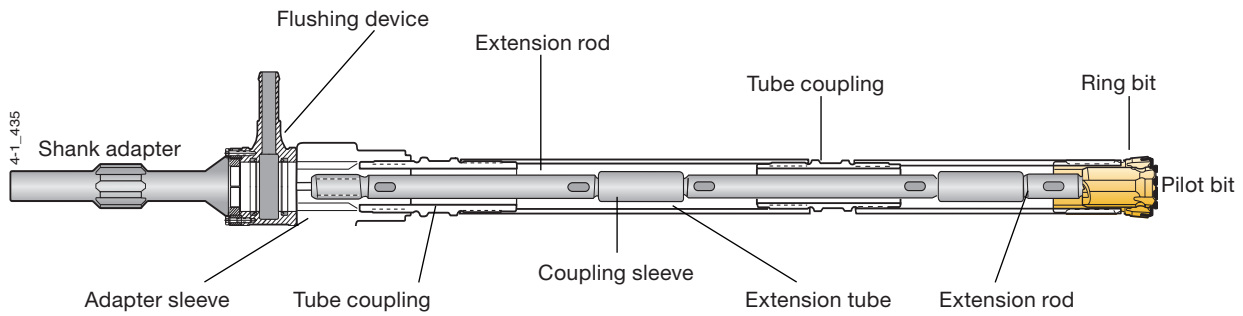
N

O

G

Foundation drilling tools

OD 72 (3 1/2"), for BBE 56/57



Flushinghole, mm		Buttons, mm		Dimensions			Part No.
Front	Gauge	Front	Gauge	D	mm in		
No	Size	No	Size	Angle			

Pilot bit, R38, button bit



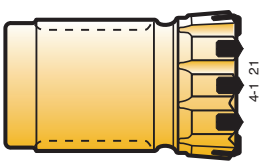
2x11	2x6	4x10	8x10	35°	70	2 3/4"	7734-7870A2-R55
------	-----	------	------	-----	----	--------	-----------------

Pilot bit, R38, x-bit

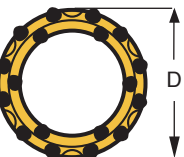
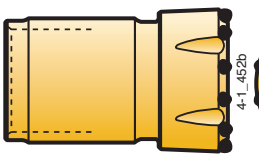


1x6	4x7.5	-	-	-	70	2 3/4"	7734-4070-11
-----	-------	---	---	---	----	--------	--------------

Ring bit, C89



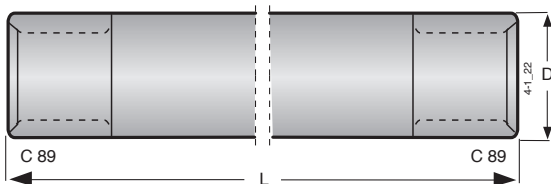
-	-	-	-	-	107	4 7/32"	7588-6108-42
---	---	---	---	---	-----	---------	--------------



-	-	5x10	10x10	35°	110	4 21/64"	7588-9510-R55
---	---	------	-------	-----	-----	----------	---------------

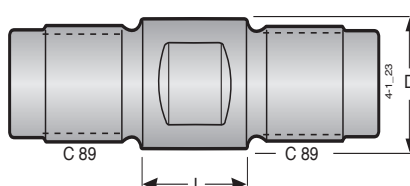
Dimensions			Part No.	
L	D			
mm	ft	in	mm	in

Extension tube



1120	3'	8 1/8"	103	4 1/16"	7985-6012
2950	9'	8 1/8"	103	4 1/16"	7985-6031

Tube coupling

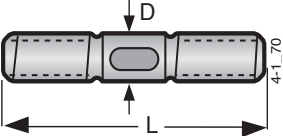
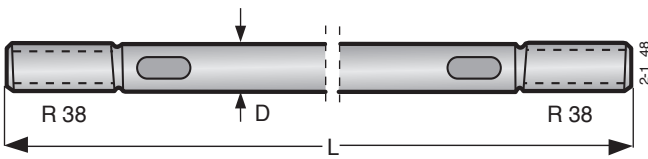
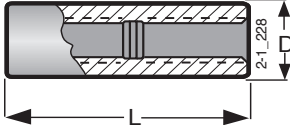
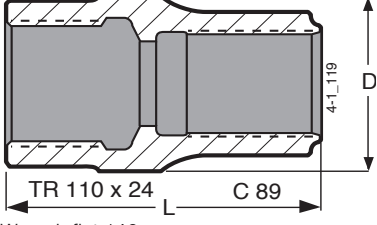
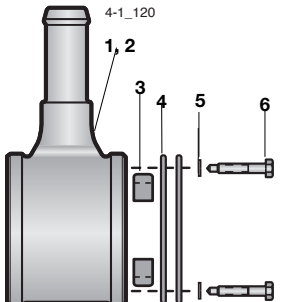


100	-	3 15/16"	103	4 1/16"	7989-6003
100	-	3 15/16"	103	4 1/16"	7989-6203 ¹⁾

Wrench flat 90 mm. ¹⁾ With cutting outlet

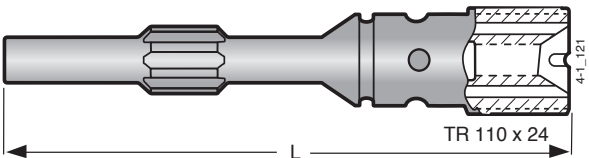
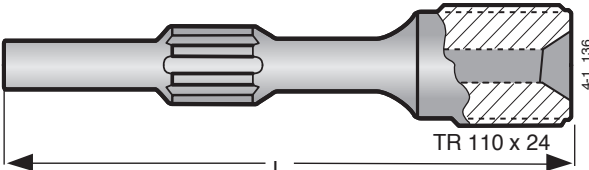
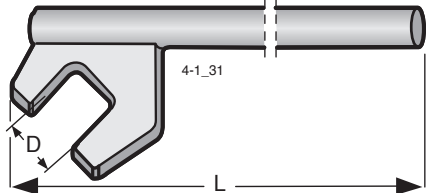
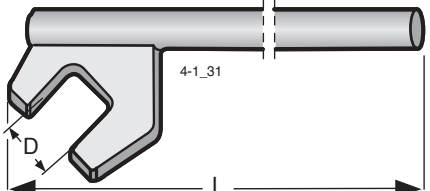
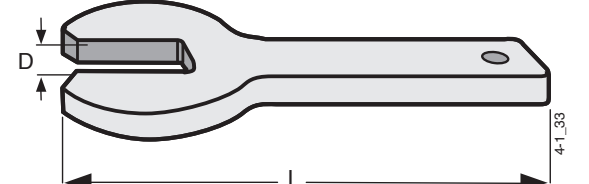
Foundation drilling tools

OD 72 (3 1/2"), for BBE 56/57

	Dimensions			D		Part No.
	L			mm	in	
	mm	ft	in			
Extension, R38 - Round 39 - R38						
	280	-	11 1/32"	39	1 1/2"	7854-4302-20
Extension rod, R38 - Round 39 - R38						
	1220 3050	4' 10'	- -	39 39	1 1/2" 1 1/2"	7854-4312-30 7854-4331-30
Wrench flat 32 mm.						
Coupling sleeve, R38						
	170	-	6 11/16"	55	2 5/32"	7994-3655
Adapter sleeve, C89						
	260	-	10 1/4"	150	5 7/8"	7989-6650
Wrench flat 140 mm.						
Flushing device, hose connection 38 mm (1 1/4")						
	Complete	109	-	4 9/32"	-	7982-6000
1. Flushing head						7982-6001
2. Packing (2 per unit)						795-1804
3. Locating ring						7982-6002
4. Lock ring						7982-6003
5. Spring washer (4 per unit)						7982-6004
6. Screw (4 per unit)						7982-6005

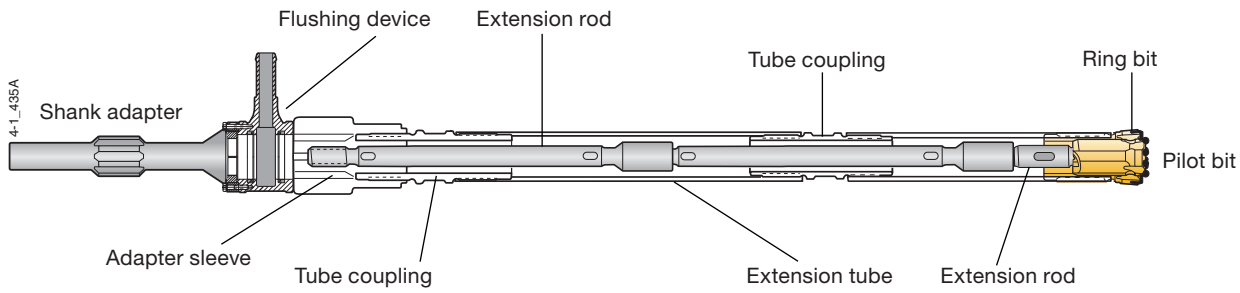
Foundation drilling tools

OD 72 (3 1/2"), for BBE 56/57

	Dimensions			D		Part No.	
	L			mm	in		
	mm	ft	in				
Shank adapter, for separate flushing							
 <p>For rock drill BBE 56U2 and BBE 57-01. Flushing tube 14 (9/16").</p>	Thread R38F	633	—	24 7/8"	—	—	7981-7003
Shank adapter, for central flushing							
 <p>Flushing tube 14 (9/16").</p>	Thread R38F	520	—	20 15/32"	—	—	7981-7004 Packing 795-1821
Wrench for tube coupling							
		700	2'	3 9/16"	90	3 35/64"	795-1443
Wrench for adapter sleeve							
		700	2'	3 9/16"	140	5 1/2"	795-1445
Wrench for extension rod							
		370	1'	2 9/16"	32	1 1/4"	795-1432

Foundation drilling tools

OD 92 (4 3/8"), for BBE 56/57



Flushinghole, mm		Buttons, mm			Dimensions		Part No.
Front	Gauge	Front	Gauge	Angle	D		
No Size	No Size	No Size	No Size		mm	in	

Pilot bit, T45, button bit

		3x10	-	5x10	9x11	35°	89	3 1/2"	7515-7889-R55
--	--	------	---	------	------	-----	----	--------	---------------

Pilot bit, T45, x-bit

		1	7.5	2	7.5	-	-	-	89	3 1/2"	7515-4489-11
--	--	---	-----	---	-----	---	---	---	----	--------	--------------

Ring bit, C110

		-	-	-	-	-	131	5 5/32"	7588-6531-42
		-	-	-	12x12	35°	131	5 5/32"	7588-9531-B45

Dimensions			D		Part No.
L			mm	in	

Extension tube

		1100	3'	7 5/16"	124	4 7/8"	7985-6112
		2930	9'	7 23/64"	124	4 7/8"	7985-6131

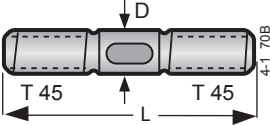
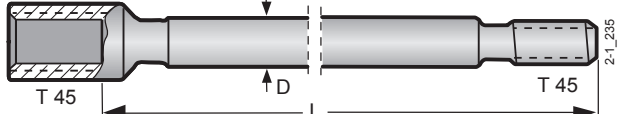
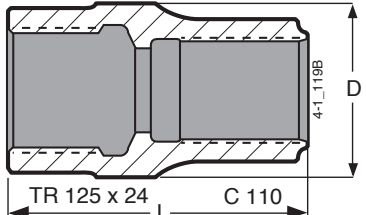
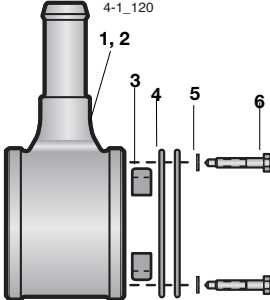
Tube coupling

	120	-	4 47/64"	124	4 7/8"	7989-6103
	120	-	4 47/64"	124	4 7/8"	7989-6503 ¹⁾

Wrench flat 110 mm. ¹⁾ With cutting outlet.

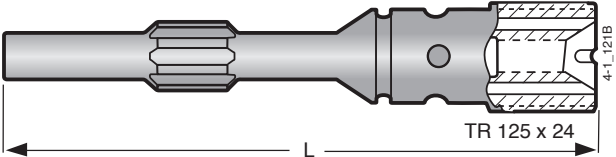
Foundation drilling tools

OD 92 (4 3/8"), for BBE 56/57

	Dimensions			D	Part No.		
	L	ft	in			mm	in
Extension, T45 - Round 46 - T45							
	Thread						
	T45	280	–	11 1/32"	46	1 3/4"	7325-7302-21
MF-rod T45 - Round 46 - T45							
							
	3050	10'	–	46	1 3/4"	7325-7731E-28	
Flushing hole 18 Ø mm. Female end OD 71 mm. Two wrench flats.							
Adapter sleeve, C110							
							
	285	–	11 7/32"	150	5 7/8"	7989-6752	
Wrench flat 155 mm							
Flushing device, hose connection 38 mm (1 1/4")							
	Complete	109	–	4 9/32"	–	–	7982-6000
	1. Flushing head						7982-6001
	2. Packing (2 per unit)						795-1804
	3. Locating ring						7982-6002
	4. Lock ring						7982-6003
	5. Spring washer (4 per unit)						7982-6004
	6. Screw (4 per unit)						7982-6005

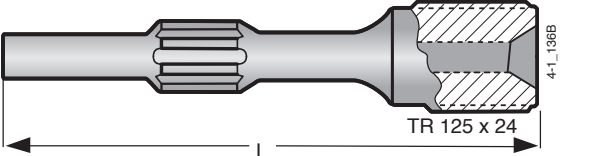
Foundation drilling tools

OD 92 (4 3/8"), for BBE 56/57

	Dimensions			D		Part No.	
	L	ft	in	mm	in		
Shank adapter, for separate flushing							
	Thread T45F	633	–	24 7/8"	–	–	7981-7009

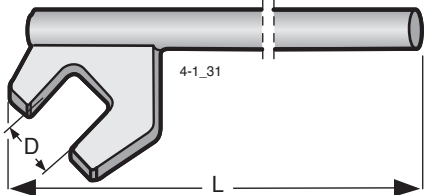
For rock drill BBE 56U2 and BBE 57-01.

Shank adapter, for central flushing

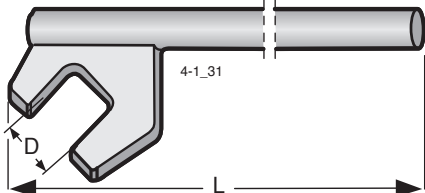
	Thread T45F	520	–	20 15/32"	–	–	7981-7008
							Packing 795-1821

Flushing tube 14 (9/16").

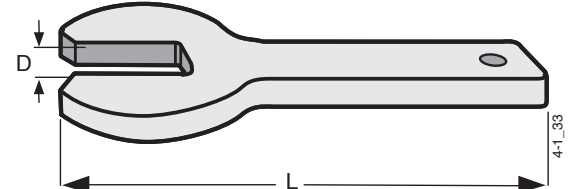
Wrench for tube coupling

	700	2'	3 9/16"	110	4 21/64"	795-1483
--	-----	----	---------	-----	----------	----------

Wrench for adapter sleeve

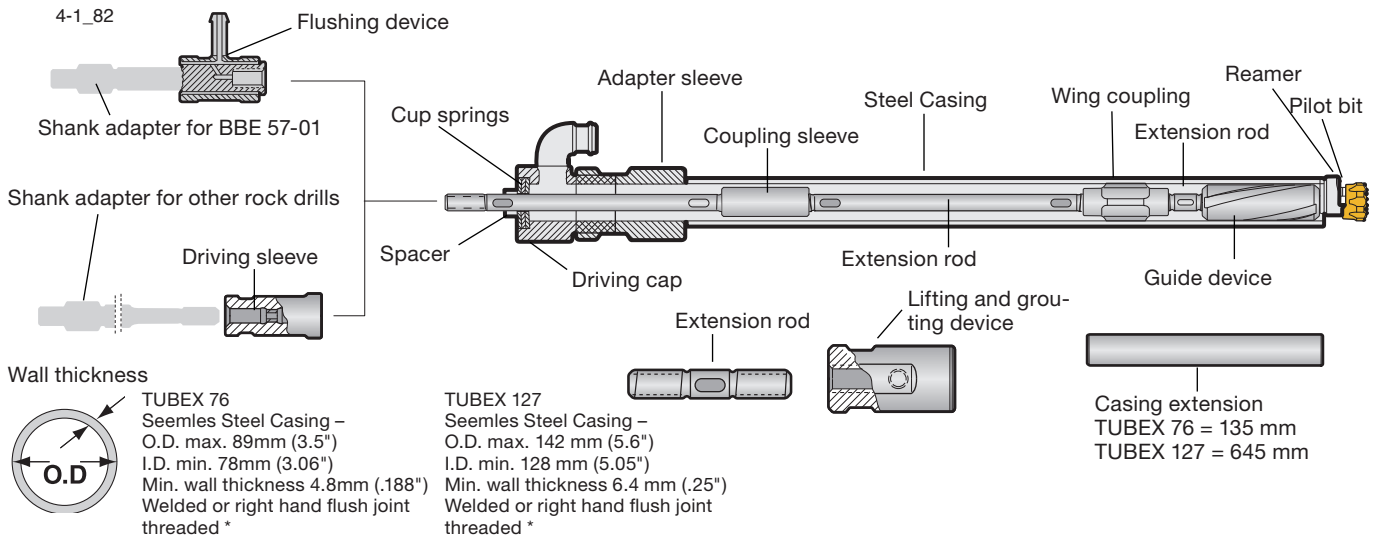
	700	2'	3 9/16"	155	6 1/8"	795-1446
--	-----	----	---------	-----	--------	----------

Wrench for extension rod

	370	1'	2 9/16"	32	1 1/4"	795-1432
--	-----	----	---------	----	--------	----------

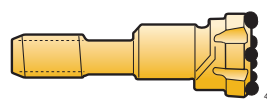
Foundation drilling tools

TUBEX 76/127 eccentric drilling tools for top hammers

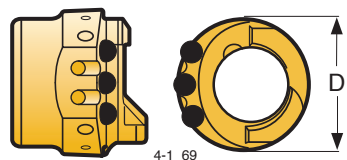


TUBEX	Flushing hole, mm		Buttons, mm		Angle	Dimensions		Part No.
	Front No	Gauge size	Front No	Gauge Size		D mm	in	

Pilot bit

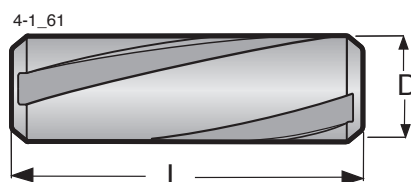
	76	1x6	2x6	5x10	6x12	35°	70	2 3/4"	7588-0570-40
	127	2x10	–	8x12	8x14	35°	110	4 21/64"	7588-0310-40

Eccentric reamer, button bit DP 60

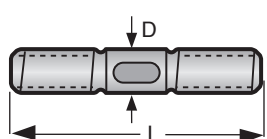
	76	–	2x5	–	3x10	30°	77	3 1/32"	7588-0596-60
	Reaming Dia.						96	3 25/32"	
127	–	2x5	2x12	3x14	35°	125	4 31/32"	7588-0362-60	
	Reaming Dia.						162		6 3/8"

TUBEX	Dimensions			D mm	in	Part No.
	L mm	ft	in			

Guide device

	Thread							
	R38	76	270	–	10 5/8"	76	3"	7989-1577
	R51	127	270	–	10 5/8"	127	5"	7989-1326

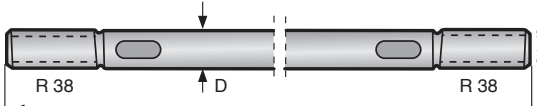
Extension rod

	Thread							
	R38 – R38	76	280	–	11"	39	1 1/2"	7854-4302-20
	R51 – R51	127	770	2'	6 5/16"	52	2"	7855-5308-30

* Welded casing to be bought locally. Threaded casing delivered upon request.

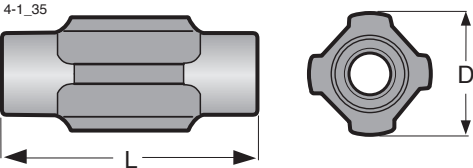
Foundation drilling tools

TUBEX 76/127 eccentric drilling tools for top hammers

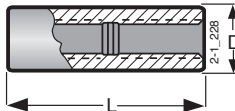
	Thread	TUBEX	Dimensions			D		Part No.
			L	ft	in	mm	in	
Extension rod								
	R38 – R38	76/127	1220	4'	–	39	1 1/2"	7854-4312-30
	R38 – R38	76/127	1830	6'	–	39	1 1/2"	7854-4318-30
	R38 – R38	76/127	2435	8'	–	39	1 1/2"	7854-4324-30
	R38 – R38	76/127	3050	10'	–	39	1 1/2"	7854-4331-30

Flushing hole Ø 15 mm. Wrench flat 32 mm.

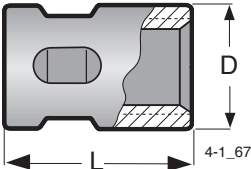
Wing coupling

	R38 – R38	76	180	–	7 1/16"	76	3"	7994-3076
	R38 – R51	127	205	–	8 5/64"	127	5"	7994-4727

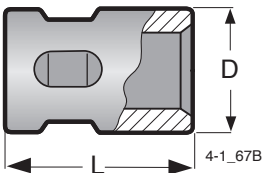
Coupling sleeve

	R38 – R38	76/127	170	–	6 11/16"	55	2 5/32"	7994-3655
---	-----------	--------	-----	---	----------	----	---------	------------------

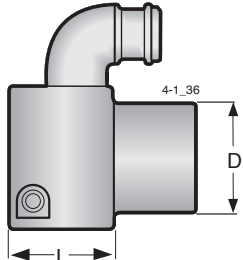
Adapter sleeve for threaded equipment

	76	200	–	7 7/8"	118	4 41/64"	7989-1508
	127	200	–	7 7/8"	170	6 11/16"	7989-1370


Adapter sleeve for welded equipment

	76	200	–	7 7/8"	118	4 41/64"	7989-1513
	127	200	–	7 7/8"	170	6 11/16"	7989-1360

Driving cap, hose connection 63.5 (2 1/2")

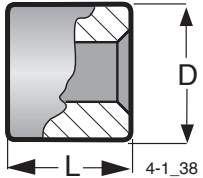
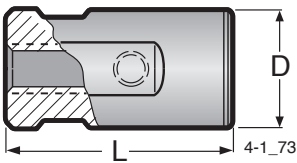
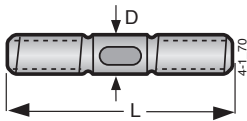
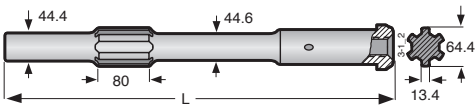
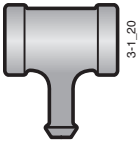

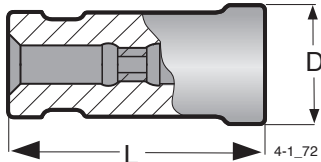
	76	138	–	5 1/2"	94	3 45/64"	7989-1544*	
	127	138	–	5 7/16"	144	5 43/64"	7989-1390*	
Outlet tube separate 76/127							7982-0001	
* Outlet tube 7982-0001 included								

Cup spring (3 pcs required) 80x40x5

	1 piece	76/127	–	–	–	–	–	795-2010
--	---------	--------	---	---	---	---	---	-----------------

Foundation drilling tools

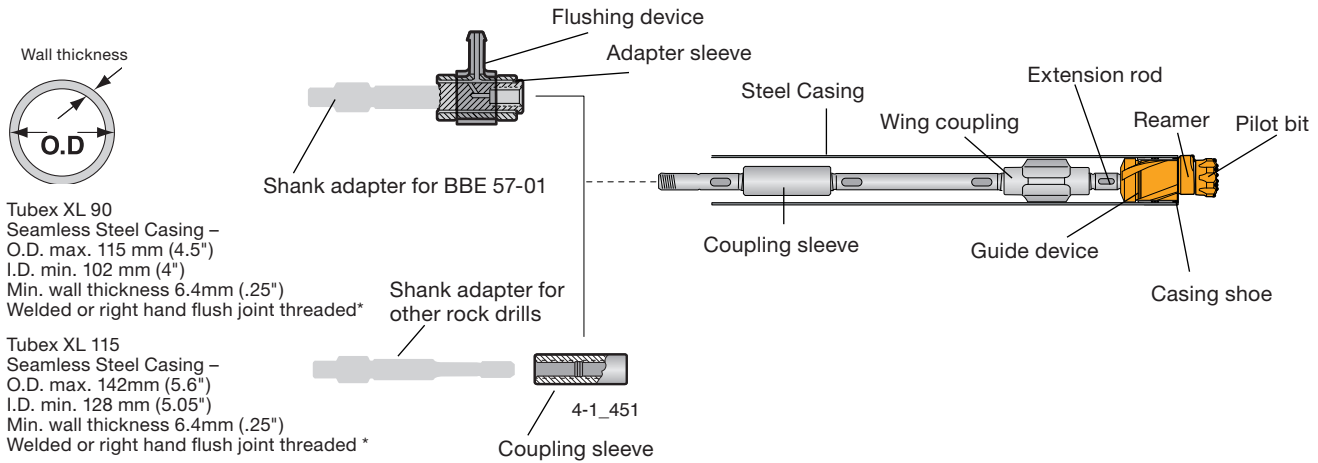
TUBEX 76/127 eccentric drilling tools for top hammers

	Thread	TUBEX	Dimensions			D mm	in	Part No.
			L mm	ft	in			
Spacer								
		76/127	62	–	2 7/16"	81	3 3/16"	7989-1505
Lifting and grouting device								
		76	210	–	8 17/64"	108	4 1/4"	7989-1509
Extension rod for lifting- and grouting device								
		76	280	–	11"	39	1 1/2"	7854-4302-20
Shank Adapters for BBE 57-01								
	R38	76/127	537	1'	9 9/64"	44.4	1 3/4"	7804-7505-01 ¹⁾
Flushing device, hose connection 25.4 (1")								
								7801-0001 Packing (2 pieces req.) 795-1806
Shank Adapter for other machines, with central flushing or built-in separate flushing, male thread R38, T38 or T45								
		76/127						See page 63
Driving sleeve for shank adapters with male thread R38, T38 or T45								
	R38 – R38		199	–	7 27/32"	83	3 17/64"	7989-1512
	T38 – R38		199	–	7 27/32"	83	3 17/64"	7989-1519
	T45 – R38		205	–	8 5/64"	83	3 17/64"	7989-1517
Wrench flat 65 mm.								

¹⁾ Split stop ring required (machine part).

Foundation drilling tools

TUBEX XL90/115 eccentric drilling tools for top hammers. With casing shoe



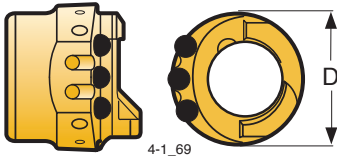
TUBEX	Flushing hole, mm		Buttons, mm		Angle	Dimensions		Part No.
	Front No size	Gauge No Size	Front No Size	Gauge No Size		D mm	in	

Pilot bit



XL90	1x12	3x8	6x12	8x12	35°	90	3 35/64"	81-090L-090A60
115	2x10	–	8x12	8x14	35°	110	4 21/64"	7588-0310-40

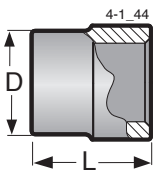
Eccentric reamer



XL90	–	–	–	3x12	35°	90	3 35/64"	82-090L-123A60
Reaming Dia.						123	4 27/32"	
115	–	2x5	2x12	3x14	35°	115	4 33/64"	7588-5452-40
Reaming Dia.						152	6 1/8"	

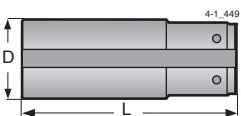
Thread	TUBEX	Dimensions			D mm	in	Part No.
		L mm	ft	in			

Casing shoe



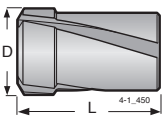
–	XL90	80	–	3 1/8"	101	3 31/32"	84-090D-00
–	115	150	–	5 29/32"	127.5	5 1/64"	7989-1603-10

Guide device



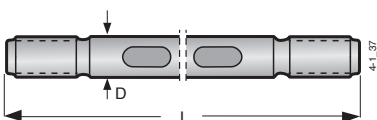
XL90

T51	XL90	275	–	10 13/16"	100	3 15/16"	80-9700-090D
R51	115	270	–	10 5/8"	126	4 61/64"	7989-1616-10



115

Extension rod

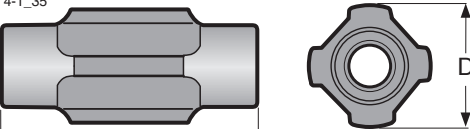


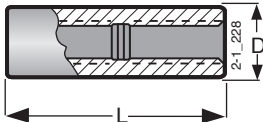
T51 – T51	XL90	770	2'	6 5/16"	52	2"	7326-5308C-30
R51 – R51	115	770	2'	6 5/16"	52	2"	7855-5308-30

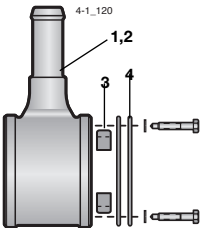
* Welded casing to be bought locally. Threaded casing delivered upon request

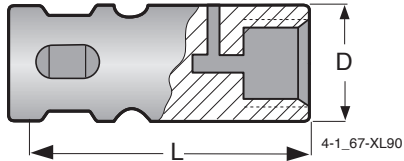
Foundation drilling tools

TUBEX XL90/115 eccentric drilling tools for top hammers. With casing shoe

	Thread	TUBEX	Dimensions			D	in	Part No.
			L	ft	in			
Wing coupling								
	T45 – T51	XL90	215	–	8 15/32"	100	4 21/64"	7316-6200
	T51 – T51	XL90	220	–	8 21/32"	100	4 21/64"	7316-6300
	R51 – T45	115	215	–	8 15/32"	127	5"	7315-4727
	R51 – T51	115	220	–	8 21/32"	127	5"	7316-4727


Coupling sleeve								
	T45 – T45	XL90/115	210	–	8 1/8"	63	2 31/64"	7315-3363
	T51 – T51	XL90/115	225	–	8 7/8"	71	2 51/64"	7316-3671

Flushing device, hose connection 38 mm (1 1/2")								
	Complete	XL90/115	109	–	4 9/32"	–	–	7982-6000
	1) flushing head							7982-6001
	2) Packing (2 per unit)							795-1804
	3) Locating ring							7982-6002
	4) Lock ring							7982-6003
	5) Spring washer (4 per unit)							7982-6004
6) Screw (4 / unit)							7982-6005	

Adapter sleeve for separate flushing device								
	T45 – T45	XL90/115	335	–	13 9/16"	89	3 1/2"	7989-1230
	T51 – T51	XL90/115	335	–	13 9/16"	89	3 1/2"	7989-1240

Pilot bit pin								
	1 piece	XL90	44	–	1 47/64"	9.85	25/64"	795-6020-00

Self-locking spring pin								
	1 piece	XL90	15	–	19/32"	10	13/32"	795-2001-08

Pusher for pilot bit pin								
	1 piece	XL90	115	–	4 17/32"	7	9/32"	795-2552

Locking Balls (8 pieces req.)								
	1 piece	XL90	–	–	–	9.5	3/8"	795-6021-00