



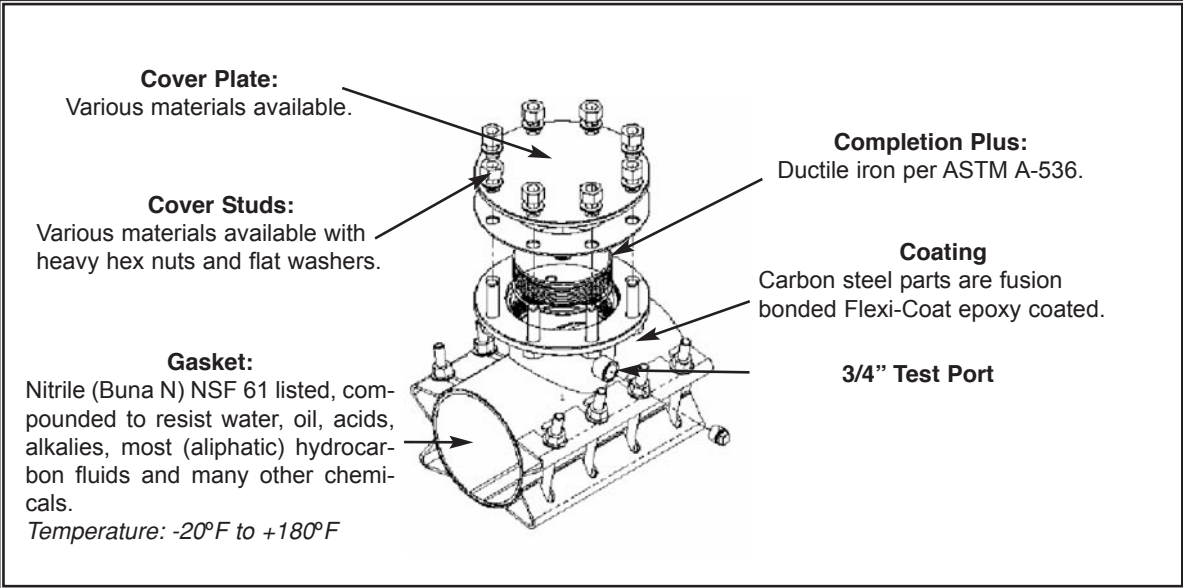
680 Series Line Stop Outlets

For use with 620 or 660 Series Tapping Sleeves

Pipe sizes: 4" and up

Outlet sizes: 4" - 12"

Product Specifications



Tapping Sleeve Styles and Combinations:

Product Style	Body Style
682	662 body style
683	663 body style
684	664 body style
685	665 body style
686	622 body with full gasket
687	622 body style
688	622 body style - all stainless steel

Completion plug is compatible with Severn Trent/Hydrostop style equipment only.

Product Specifications

SPECIFICATION:

■ Body:

- Alloy Steel
- Coated Alloy Steel
- Stainless Steel
- Coated Stainless Steel

■ Cover Material:

- Light Weight Carbon Steel
- Light Weight Stainless Steel
- ANSI 150# Carbon Steel Blind Flange
- ANSI 150# Stainless Steel Blind Flange

■ Hardware/Cover:

- Alloy Steel
- Stainless Steel
- Coated Alloy Steel
- Coated Stainless Steel

The line stop fitting shall be a Smith-Blair 682, 683, 684, 685, 686, 687 or 688 or approved equal.

Approved By

Name:

Title:

Date:

*THESE PRODUCT SPECIFICATIONS WERE CORRECT AT TIME OF PUBLICATION.
MATERIAL SPECIFICATIONS ARE SUBJECT TO CHANGE WITHOUT NOTICE.
SEE CATALOG BROCHURE CC-620 FOR MORE DETAILS. VISIT SMITH-BLAIR'S
WEBSITE AT WWW.SMITH-BLAIR.COM TO DOWNLOAD THE MOST CURRENT INFORMATION.*



Ph: 870-773-5127 • Fax: 870-773-5212 • www.smith-blair.com
Toll-Free Numbers: Ph: 800-643-9705 • Fax: 800-648-6792
30 Globe Ave, Texarkana, AR 71854 • PO Box 5337, Texarkana, TX 75505