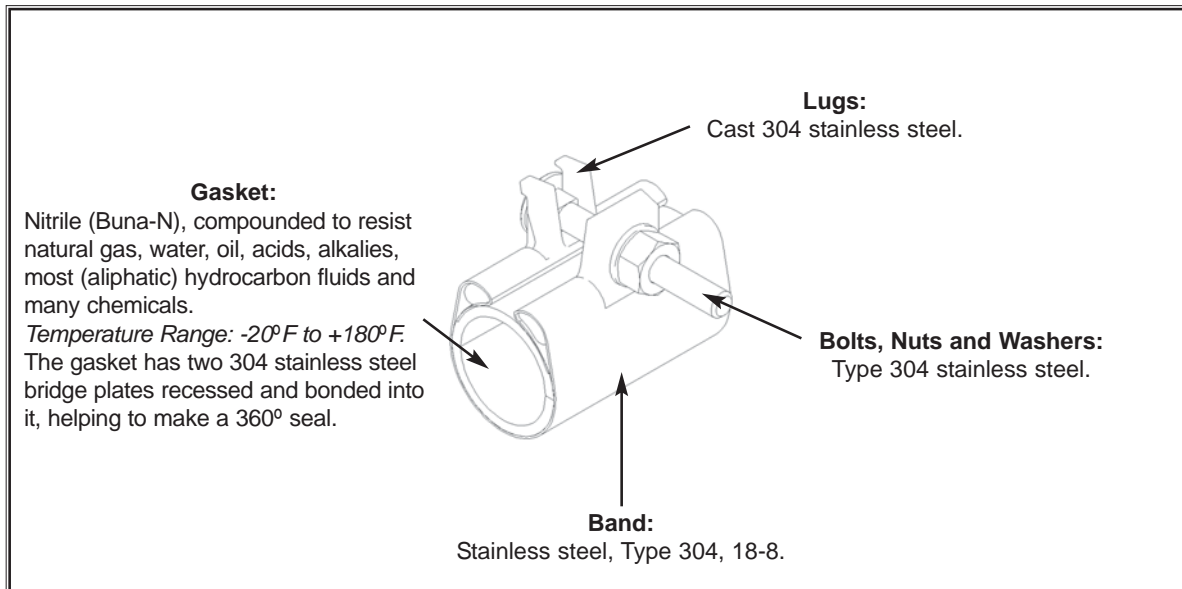


247 All Stainless Steel Full Circle Redi-Clamp

1/2" - 2" Nominal O.D.

Product Specifications



Features:

- Standard widths 3", 6" and 12".
- Drop-in bolts help ease installation.
- Use 6" long or longer clamps to join pipe ends of like size.
- Full 360° gasket coverage to seal completely around the pipe.
- All 304 stainless steel metal components for great corrosion resistance.
- Built to a specific pipe O.D. and available in IPS and copper tube sizes.
- Economical means of repairing pin hole leaks, punctures and splits in pipe.

Clamp Number	Size	Working Pressure*
247	1/2"-2" Nominal	Up to 150 PSI

*The allowable working pressure of a pipe repair clamp decreases as pipe diameter increases (regardless of manufacturer). For a particular installation, the allowable working pressure will be determined by the size of pipe, type of pipe, type of clamp, type and extent of damage, service conditions, environmental conditions, and installation workmanship.

Product Specifications

SPECIFICATION:

The 247 Full Circle Redi-clamp shall have an 18-8 type 304 stainless steel band. The band shall be a minimum of 3" in width.

The lugs shall be type 304 stainless steel. The 247 lugs shall be attached to the band by wrapping the end of the band around the lug base.

The gasket cartridge shall be made of Nitrile (Buna N) specially compounded to resist water, oil, acids, alkalies, natural gas,

most (aliphatic) hydrocarbon fluids, and many other chemicals. The temperature range shall be -20°F thru +180°F.

The gasket shall consist of two, each 304 stainless steel bridge plates that are recessed flush into the gasket, helping to make the gasket seal 360°.

The nuts, bolts, and washers shall be 304 stainless steel. The nuts shall be fluoropolymer coated to prevent galling.

The clamp shall be a Smith-Blair, Inc., 247 All-Stainless Steel Full Circle Redi-Clamp or approved equal.

Approved By
Name:
Title:
Date:

*THESE PRODUCT SPECIFICATIONS WERE CORRECT AT TIME OF PUBLICATION.
MATERIAL SPECIFICATIONS ARE SUBJECT TO CHANGE WITHOUT NOTICE.
SEE CATALOG BROCHURE CC-240 FOR MORE DETAILS. VISIT SMITH-BLAIR'S
WEBSITE AT WWW.SMITH-BLAIR.COM TO DOWNLOAD THE MOST CURRENT INFORMATION.*



**Ph: 870-773-5127 • Fax: 870-773-5212 • www.smith-blair.com
Toll-Free Numbers: Ph: 800-643-9705 • Fax: 800-648-6792
30 Globe Ave, Texarkana, AR 71854 • PO Box 5337, Texarkana, TX 75505**