

# Philmac<sup>®</sup> 3G<sup>™</sup> Next Generation Compression Fittings for Water Supply



## Philmac<sup>®</sup>



POTABLE WATER SYSTEMS

### PHILMAC<sup>®</sup> COMPRESSION FITTINGS

12mm – 50mm  
1/2" – 2"

[www.ipexinc.com](http://www.ipexinc.com)

Turn On To Faster Installation<sup>™</sup>



**IPEX**

# PHILMAC® 3G™

## TURN ON TO FASTER INSTALLATION, STRENGTH AND VERSATILITY

**T**urn on to the next generation of water line compression fittings: Philmac 3G. Based on 25 years of fitting experience, 3G is our most innovative and revolutionary fitting yet. It represents the culmination of years of development and engineering, cutting-edge manufacturing technology and punishing performance testing.

To create a truly advanced next generation fitting, Philmac questioned every detail—from fitting design to material. The end result is a plastic fitting that's strong, easy to install and long-lasting, all at a cost lower than that of brass fittings with a quality far superior to metal insert fittings.

Something definitely worth turning on to.

### ✓ **FASTER**

Engineered with a unique mechanical turn and lock design and a comfortable ergonomic grip, Philmac 3G fittings allow faster, easier installation than brass or metal insert fittings.

### ✓ **STRONGER**

Philmac's dynamic compression sealing provides higher pull-out resistance than brass or metal. CSA and NSF approved, Philmac offers strong, reliable service for a 50+ year design life.

### ✓ **CONVERTS TO OTHER PIPE TYPES**

With the use of a simple adaptor kit, 3G CTS fittings can be easily converted to work with IPSOD, COMPOSITE or even COPPER pipe.





*IPEX offers Philmac 3G in two preassembled fittings (CTSOD and ID Series) for all sizes, as well as easy-to-use adaptor kits that can convert these fittings for IPSOD, COPPER and COMPOSITE pipe applications.*



## KEY FEATURES

### ✓ TURN TO TIGHTEN DESIGN

Philmac's unique design allows you to achieve a perfect seal with the turn of a hand or wrench. Visual stops and gradually increasing mechanical resistance as the nut is tightened reduces the risk of over-tightening.

### ✓ COMPACT ERGONOMIC GRIP

Small and lightweight, Philmac 3G fittings are specially shaped to your hand for easy turning. Their compact size is perfect for working in confined areas.

### ✓ ADVANCED MATERIAL

Philmac 3G fittings are made from an advanced high-performance polypropylene so they're UV-, impact- and corrosion-resistant—tough enough for 50+ years of reliable service.

### ✓ DYNAMIC COMPRESSION SEALING

Philmac 3G fittings are highly engineered to provide a robust leak-proof seal with superior pull-out resistance. In addition, the strength of the nut ensures minimal distortion when tightened with a wrench.

### ✓ COMPONENT INTERCHANGEABILITY

Because both the CTSOD and ID Series fittings are based on the same core fitting design, components can be easily interchanged in order to transition from one type to another on the same fitting. And with adaptor kits available for other material types, you'll always have the right fitting for the job.

# PHILMAC® 3G™ : CTSOD SIZES

## SIMPLY SLIDE & TIGHTEN™ FOR A QUICK RELIABLE CONNECTION EVERYTIME

Gone are the days of juggling and assembling loose fitting components on the job site or even having to turn off the water line when connecting a new line. Now you can get a perfect seal with Philmac CTSOD fittings in any condition just by hand or with a wrench, thanks to Philmac's unique Slide & Tighten™ technology.

Philmac fittings come pre-assembled and ready to use so there's no need to disassemble the fitting or prepare the pipe. No solvent cementing or special tools are needed. Simply insert the pipe into the fitting until you feel the first point of resistance and then tighten the nut. Visual stops and gradually increasing mechanical resistance as the nut is turned prevents over-tightening.

Philmac's compact size makes installation easy in confined spaces, and Philmac 3G fittings are engineered to avoid pipe twist during installation, reducing the risk of untightening previously-installed joints – a constant risk with brass fittings.

With Philmac CTSOD fittings, just slide and tighten, and the job's done!

### Fewer turns to tighten

Only 1-1/2 turns are needed to tighten up the nut.

### Visual stops & gradual mechanical resistance prevent over-tightening

A clear visual stop and mechanical resistance indicates when fully tightened.

### Adaptor Kits

If IPSOD, COMPOSITE or COPPER is being used, the joint can be easily converted using adaptor kits.



1 Assembly is so easy you can even do it under live conditions. Cut the pipe square and line up the pre-assembled fitting.



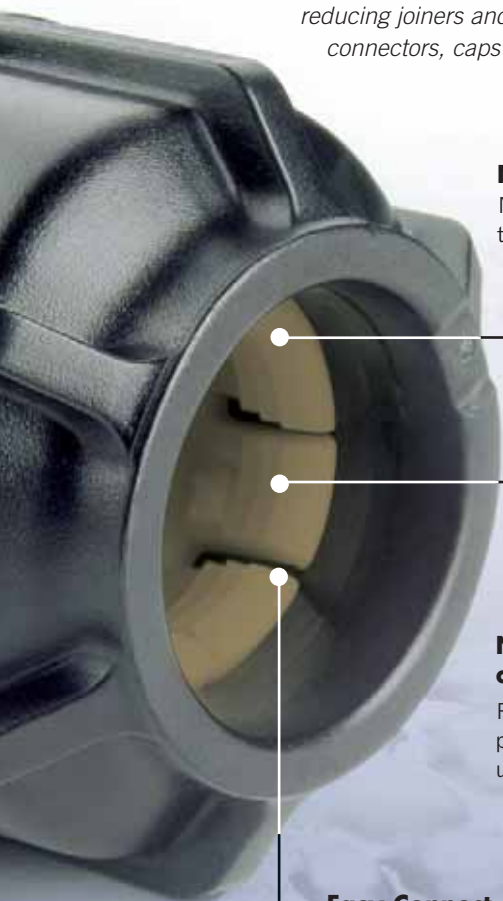
2 Insert the pipe until the first point of resistance is felt.



3 Tighten the nut with a turn of the hand and then firmly with a wrench.



Choose from a wide selection of OD fittings (from 3/4" to 2") including straight and reducing joiners and tees, elbows, end connectors, caps and blanking plugs.



**No force to slide in**  
No force is required to slide the pipe into the fitting.

**No pipe twisting during installation**  
Fitting designed to avoid pipe twist, reducing risk of untightening joints.

**Easy Connect /Disconnect**  
The split collet enables easy connection and disconnection, ideal for seasonal water lines.

**Minimal distortion when tightened with wrench**  
The strength of the acetal nut ensures minimal distortion when tightening with a wrench.

## APPLICATIONS

Long-lasting and easy to install, Philmac fittings have proved themselves in numerous residential applications and are the fittings of choice for both plumbers and contractors.

### RESIDENTIAL WATER SERVICE

- New house connections
- Repair and maintenance of existing lines
- New mains to meter connection
- New metering programs
- Meter replacement programs



### RESIDENTIAL IRRIGATION SYSTEMS

- Lawns and gardens
- Ponds
- Fountains
- Backyard waterfalls



# PHILMAC® 3G™ : ID SERIES

## REDUCE INVENTORY COSTS WITH PHILMAC'S "ONE FITTING FITS ALL" FITTING

Flexible, versatile, adaptable. There's no better way to describe Philmac's ID Series. Philmac's ID Series fitting connects to all types of ID Series PE pipe from 75 to 200, reducing inventory costs by eliminating the need for dedicated fittings. This flexibility also ensures you'll always have the right fitting for the job.

Philmac's ID Series fitting is also built for fast and simple installation. Removable inserts on both ends of the fitting make it quick and easy to connect. Unlike the barbed fittings on competing metal inserts that require heating, Philmac's ID insert can be effortlessly pushed or hammered in to place. And the pipe can be freed by simply loosening the nut and removing the insert from the fitting body, making it ideal when the fitting is connected to a portable pump or seasonal equipment.

Maximum flexibility and versatility. Fast and simple installation. Easy disassembly. Philmac's ID Series fitting definitely fits it all.

### Easy connect/disconnect for seasonal water lines

Disconnection and reconnection to pumps or seasonal water lines is made quick and easy.

### Minimal distortion when tightened with wrench

The strength of the acetal nut ensures minimal distortion when tightening with a wrench.

### Visual stops & gradual mechanical resistance prevent over-tightening

A clear visual stop and mechanical resistance indicates when fully tightened.



1 Cut the pipe square, remove nut components and place nut and collet on the pipe. Place the insert into the end of the pipe.



2 Assemble the fitting by pushing the fitting body over the insert and sliding the collet and the nut up to the insert shoulder.



3 Position collet and nut, then turn to tighten. The fitting is fully installed when the nut can't be tightened further.



*Philmac offers a broad range of ID Series fittings (from 1/2" to 2") including straight and reducing joiners and tees, elbows, end connectors, caps and blanking plugs.*



**Less force to push inserts in**

Simply push or hammer in inserts—no heating as with barb assemblies on metal insert fittings.

**One fitting connects to any 75 to 200 series pipe**

Compatible with all types of ID Series pipe, the 3G fittings eliminate the need for dedicated fittings and reduces inventory.

## APPLICATIONS

Thanks to their performance and easy disassembly, Philmac fittings are ideal for cottage country water supply systems as well as a wide range of rural irrigation applications.

### COTTAGE COUNTRY WATER SERVICE

- Cottage water supply
- Pump systems
- Water wells



### RURAL IRRIGATION

- Farm and agricultural water supply
- Horticultural irrigation water supply



## CUSTOMER SERVICE CENTRES

### Vancouver

Tel (604) 534-8631  
Fax (604) 534-7616

### Calgary

Tel (403) 236-8333  
Fax (403) 279-8443

### Edmonton

Tel (780) 415-5300  
Fax (780) 415-5358

### Saskatoon

Tel (306) 933-4664  
Fax (306) 934-2020

### Winnipeg

Tel (204) 633-3111  
Fax (204) 633-3075

### Toronto

Tel (905) 670-7676  
Fax (905) 670-5295

### Montreal

Tel (514) 337-2624  
Fax (514) 337-7886

### Saint John

Tel (506) 633-7473 (PIPE)  
Fax (506) 633-8720

### St. John's

Tel (709) 747-7473 (PIPE)  
Fax (709) 368-9111

### Toll Free

Cdn Toll Free: 1-866-473-9462 (IPEXINC)  
U.S. Toll Free: 1-800-463-9572

[www.ipexinc.com](http://www.ipexinc.com)

### About IPEX

IPEX is a leading supplier of thermoplastic piping systems. We provide our customers with one of the world's largest and most comprehensive product lines. All IPEX products are backed by over 50 years of experience. With state-of-the-art manufacturing facilities and distribution centres across North America, the IPEX name is synonymous with quality and performance.

Our products and systems have been designed for a broad range of customers and markets. Contact us for information on:

- Municipal pressure and gravity piping systems
- Electrical systems
- Telecommunications systems
- Irrigation systems
- Radiant heating systems
- PVC, CPVC, PP, ABS, PEX, FR-PVDF and PE pipe and fittings (1/4" to 48")
- Industrial process piping systems
- Industrial, plumbing and electrical cements
- PE Electrofusion systems
- Plumbing and mechanical piping systems

**WARRANTY:** All of the Company's Products are guaranteed against defects resulting from faulty workmanship or materials. The Company will replace, free of charge, including shipping charges for the replacement Products, any Products which are found to be defective in workmanship or material, provided that the following conditions are met:

- a) the Company is promptly notified in writing of such defect immediately upon discovery of same, and the defective Product is promptly returned to the Company;
- b) the defect is not due, without limitation, to faulty installation, misalignment of Products, vibration, ordinary wear and tear, corrosion, erosion, U.V. degradation, incompatible lubricants, pastes and thread sealants, unusual pressure surges or pulsation, water hammer, temperature shocking, or fouling; and
- c) the Products have not been altered or modified after leaving the Company's premises.

The warranty period can be specifically limited for certain Products as stated in writing in the Company's literature.

The Company will not allow claims for labor, materials and/or other expenses required to replace the defective Product, or to repair any damage resulting from the use thereof. The Company disclaims any responsibility for the Purchaser's calculations, product drawings or engineering design specifications. The Company's liability is limited to the purchase price applicable to the product.

It is agreed and understood that the Company's liability in respect to the sale is strictly limited to the replacement of Products as hereinbefore specified and that the Company shall not, in any event, be liable for any damages whether for the loss of use or business interruption or any other claim for incidental, consequential, special or punitive damages. There is no warranty, condition or representation of any nature whatsoever, expressed or implied, by statute or otherwise, except as herein contained, and the Company disclaims any implied warranties of merchantability and/or fitness of its Products for a special purpose.

This literature is published in good faith and is believed to be reliable. However, IPEX does not represent and/or warrant in any manner the information and suggestions contained in this brochure. Data presented is the result of laboratory tests and field experience.

IPEX maintains a policy of ongoing product improvement. This may result in modification of features and/or specifications without notice.



# YES, I am interested. Please send me more information on Philmac® 3G™ Fittings.

COMPLETE AND FAX TO 905-403-1124 OR EMAIL US AT: [marketing@ipexinc.com](mailto:marketing@ipexinc.com)

Name

Title

Dept.

Company

Address

City

Province

Postal Code

Phone

Fax

E-mail

#### Company classification:

- Architect/Design Firm
- Builder/Developer
- Operator/Plant Maintenance
- Contractor
- Distributor/Wholesaler
- Engineering Firm
- Government
- OEM - Product(s) Manufactured: \_\_\_\_\_
- Utility
- Other: \_\_\_\_\_

#### Product interests:

- PVC Pressure Systems
- PVC Sewer Systems
- Irrigation Systems
- Piping Systems for Water and Waste Water Treatment Plants
- Sewage Force Mains
- Service Pipe and Compression Fittings

#### I would like:

- PVC Pressure System Design
- PVC Sewer System Design
- Surge Pressures in PVC
- Installation Guide
- Longevity of PVC
- Hydraulics of PVC Pipe
- How PVC compares to other materials

#### I would also like to know about other IPEX products:

- Municipal pressure and gravity piping systems
- Plumbing and mechanical piping systems
- Electrical systems
- Telecommunication systems
- Irrigation piping systems
- Industrial piping systems
- Radiant heating systems
- PE Electrofusion systems

[www.ipexinc.com](http://www.ipexinc.com)



**IPEX**

