



ITT

Wastewater

Goulds Pumps

GWP18x30 Assembled Wastewater Packages



A9-2P



A9-2PH



FEATURES

- Choice of Pumps:
 - PV Vortex • PS Non-clog • WW05 Vortex
- Roll Top 18x30 Polyethylene Basin
- Fully assembled at the factory for simplified installation.
- Structural foam cover is strong and corrosion resistant.
- Vent grommets for both 2" and 3" vent provided. Adds system flexibility and reduces inventory.
- Thermoplastic 4" uniseal inlet grommet.
- Factory preset mechanical float switch for dependable automatic operation.
- Torque stop insert to stabilize the pump.
- Swing type 2" check valve:
 - A9-2PH rubber sleeve type
 - A9-2P compression type
- Schedule 40, 2" PVC discharge pipe with 1/8" bleed hole is factory installed.



GOULDS PUMPS

SPECIFICATIONS

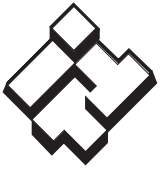
18 x 30 — Basin:

- Roll top polyethylene basin
- Usable capacity: 14 gallons
- Dimensions: 18" w x 30" h
- Inlet: 4" inlet grommet

Goulds Pumps is a brand of ITT Residential and Commercial Water.

www.goulds.com

Engineered for life



ITT

GOULDS PUMPS Wastewater

PACKAGE WITH PV VORTEX PUMP

PACKAGE ORDER NUMBER	PUMP	VOLTS	①				
			BASIN	COVER	CHECK VALVE	DISCHARGE PIPE	
GWP2141	PV51P1F	115	Roll Top Polyethylene 18" Diameter x 30" High with 4" Inlet Grommet and Pump Torque Stop Insert	18" Structural Foam Cover with Bolts, Sealing Tape and (2) 2"	A9-2PH 2" Rubber Sleeve Type	2" Diameter x 30" Long Schedule 40 PVC Discharge Pipe	
GWP2142	PV52P1F	230					
GWP2143	PV51AV	115					
GWP2144	PV51A1	115					
GWP2145	PV51P1	115					
GWP2241	PV51P1F	115			(1) 3" Vent and Discharge Grommets		A9-2P 2" Compression Type
GWP2242	PV52P1F	230					
GWP2243	PV51AV	115					
GWP2244	PV51A1	115					
GWP2245	PV51P1	115					

PUMP INFORMATION ②

PUMP MODEL	HP	VOLTS	MAX. AMPS	MIN. CIRCUIT BREAKER	PHASE	FLOAT SWITCH STYLE	POWER CORD LENGTH	DISCHARGE CONNECTION	MAXIMUM SOLID SIZE
PV51AV	0.5	115	13	20	1	T-spliced vertical	10'	2"	2"
PV51A1						T-spliced wide angle			
PV51P1						Piggyback wide angle			
PV51P1F						Piggyback wide angle	20'		
PV52P1F						Piggyback wide angle			
		230	6.5	15					

① Information on individual basin components for "replacement parts" may be found in the Basin Section, kit numbers CWK11, CWK12, CWK21, CWK22 and CWK23.

② Additional pump information may be found on the pump bulletin.

PV51, PV52 PERFORMANCE CHART – See "Performance Chart Note"

Pipe Length (Feet)	GPM									
	Vertical Head (Feet)									
	2	4	6	8	10	12	14	16	18	20
25	95	89	83	77	70	62	53	45	35	22
50	83	78	73	67	61	55	48	40	31	20
75	76	71	66	61	55	50	43	37	28	18
100	69	65	61	56	51	46	40	33	26	17
150	60	57	53	49	45	40	35	29	23	16
200	54	51	48	44	40	36	32	27	21	14
250	49	47	44	40	37	33	29	24	19	13
300	46	43	40	37	34	31	27	23	18	12

NOTE: Shaded area does not meet 21 GPM. Minimum Scouring Velocity for 2" pipe.

PERFORMANCE CHART NOTE

These charts show actual system performance with friction loss factored in for various discharge pipe lengths. Calculations and performance based on a system with 2" PVC, schedule 40 plastic pipe (C150), (4) 90° elbows, (1) check valve and (1) shut-off valve. Wastewater requires a minimum scouring velocity of 21 gpm for 2" pipe. Shaded areas do not provide minimum scouring velocity - use only for gray water with no solids.



ITT

GOULDS PUMPS Wastewater

PACKAGE WITH PS PUMP

PACKAGE ORDER NUMBER	PUMP	VOLTS	①			
			BASIN	COVER	CHECK VALVE	DISCHARGE PIPE
GWP2111	PS51P1F	115	Roll Top Polyethylene 18" Diameter x 30" High with 4" Inlet Grommet and Pump Torque Stop Insert	18" Structural Foam Cover with Bolts, Sealing Tape and (2) 2" and (1) 3" Vent and Discharge Grommets	A9-2PH 2" Rubber Sleeve Type	2" Diameter x 30" Long Schedule 40 PVC Discharge Pipe
GWP2112	PS52P1F	230				
GWP2113	PS51AV	115				
GWP2114	PS51A1	115				
GWP2121	PS41P1F	115				
GWP2122	PS42P1F	230				
GWP2123	PS41AV	115				
GWP2124	PS41A1	115				
GWP2211	PS51P1F	115				
GWP2212	PS52P1F	230				
GWP2213	PS51AV	115				
GWP2214	PS51A1	115				
GWP2221	PS41P1F	115				
GWP2222	PS42P1F	230				
GWP2223	PS41AV	115				
GWP2224	PS41A1	115				

PUMP INFORMATION ②

PUMP MODEL	HP	VOLTS	MAX. AMPS	MIN. CIRCUIT BREAKER	PHASE	FLOAT SWITCH STYLE	POWER CORD LENGTH	DISCHARGE CONNECTION	MAXIMUM SOLID SIZE
PS41AV	0.4	115	10	20	1	T-spliced vertical	10'	2"	2"
PS41A1						T-spliced wide angle			
PS41P1F						Piggyback wide angle			
PS42P1F						Piggyback wide angle			
PS51AV	0.5	115	13	20		T-spliced vertical	10'		
PS51A1						T-spliced wide angle			
PS51P1F						Piggyback wide angle			
PS52P1F						Piggyback wide angle			
		230	6.5	15			20'		

① Information on individual basin components for "replacement parts" may be found in the Basin Section, kit numbers CWK11, CWK12, CWK21, CWK22 and CWK23.

② Additional pump information may be found on the pump bulletin.

PS41 PERFORMANCE CHART – See "Performance Chart Note"

Pipe Length (Feet)	GPM									
	Vertical Head (Feet)									
	2	4	6	8	10	12	14	16	18	20
25	96	88	82	74	65	54	43	33	24	14
50	83	77	70	63	56	47	38	30	22	13
75	74	68	62	56	49	42	35	28	21	13
100	67	62	57	51	45	39	33	26	19	12
150	57	53	48	44	39	34	29	23	17	11
200	51	47	43	39	35	31	26	22	16	10
250	46	43	39	36	33	28	24	21	16	10
300	43	39	37	34	30	27	23	19	15	9

PS51 PERFORMANCE CHART – See "Performance Chart Note"

Pipe Length (Feet)	GPM									
	Vertical Head (Feet)									
	2	4	6	8	10	12	14	16	18	20
25	105	99	91	84	75	65	55	45	35	25
50	90	85	78	71	63	56	48	40	32	24
75	80	74	69	62	57	50	44	37	30	22
100	72	67	62	57	52	46	40	34	28	21
150	61	58	54	49	45	40	35	31	25	18
200	54	51	48	44	40	36	32	28	23	17
250	50	47	44	40	37	34	30	26	21	16
300	46	43	40	37	34	31	28	24	20	15

NOTE: Shaded area does not meet 21 GPM. Minimum Scouring Velocity for 2" pipe.



ITT

Wastewater

PACKAGE WITH WW05 PUMP

PACKAGE ORDER NUMBER	PUMP	VOLTS	①			
			BASIN	COVER	CHECK VALVE	DISCHARGE PIPE
GWP2131	WW0511AC	115	Roll Top Polyethylene 18" Diameter x 30" High with 4" Inlet Grommet and Pump Torque Stop Insert	18" Structural Foam Cover with Bolts, Sealing Tape and (2) 2" and (1) 3" Vent and Discharge Grommets	A9-2PH 2" Rubber Sleeve Type	2" Diameter x 30" Long Schedule 40 PVC Discharge Pipe
GWP2132	WW0512AF	230				
GWP2231	WW0511AC	115			A9-2P 2" Compression Sleeve Type	
GWP2232	WW0512AF	230				

PUMP INFORMATION ②

PUMP MODEL	HP	VOLTS	MAX. AMPS	MIN. CIRCUIT BREAKER	PHASE	FLOAT SWITCH STYLE	POWER CORD LENGTH	DISCHARGE CONNECTION	MAXIMUM SOLID SIZE
WW0511AC	0.5	115	13	20	1	Piggyback wide angle	20'	2"	2"
WW0512AF		230	6.5	15					

① Information on individual basin components for "replacement parts" may be found in the Basin Section, kit numbers CWK11, CWK12, CWK21, CWK22 and CWK23.

② Additional pump information may be found on the pump bulletin.

WW05 PERFORMANCE CHART – See "Performance Chart Note"

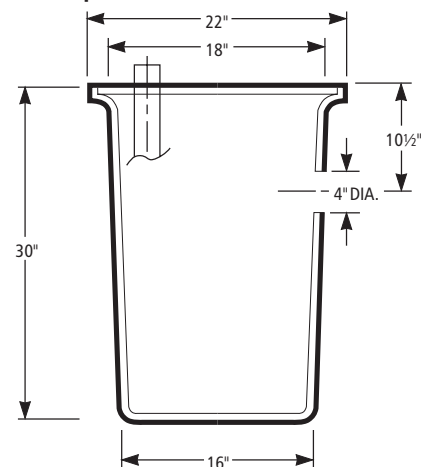
Pipe Length (Feet)	GPM						
	Vertical Head (Feet)						
	4	6	8	10	12	14	16
25	75	68	62	52	40	27	13
50	67	61	54	45	35	24	12
75	61	55	48	40	32	22	11
100	56	50	44	37	29	21	11
150	48	43	38	32	26	18	10
200	43	39	34	29	23	17	10
250	39	35	31	26	21	15	10
300	35	32	29	24	20	14	10

NOTE: Shaded area does not meet 21 GPM. Minimum Scouring Velocity for 2" pipe.

NOMENCLATURE

CHARACTER	CODE	
1 - 3	GWP = GP	Assembled Wastewater Package
4 and 5	21	18" x 30" Poly basin with A9-2PH check valve
	22	18" x 30" Poly basin with A9-2P check valve
6 and 7	11	PS51P1F 20' Piggyback wide angle
	12	PS52P1F 20' Piggyback wide angle
	13	PS51AV 10' T- Spliced vertical switch
	14	PS51A1 10' T- Spliced wide angle
	21	PS41P1F 20' Piggyback wide angle
	22	PS42P1F 20' Piggyback wide angle
	23	PS41AV 10' T- Spliced vertical switch
	24	PS41A1 10' T- Spliced wide angle
	31	WW0511AC 20' Piggyback wide angle
	32	WW0512AF 20' Piggyback wide angle
	41	PV51P1F 20' Piggyback wide angle
	42	PV52P1F 20' Piggyback wide angle
	43	PV51AV 10' T- Spliced vertical switch
	44	PV51A1 10' T- Spliced wide angle
	45	PV51P1 10' Piggyback wide angle

Roll Top 18 x 30 Basin Dimensions



For additional basin kit data, see basin bulletins BCPCWK21.



Goolds Pumps and the ITT Engineered Blocks Symbol are registered trademarks and tradenames of ITT Corporation.

SPECIFICATIONS ARE SUBJECT TO CHANGE WITHOUT NOTICE.

BGWP18X30 October, 2006

© 2006 ITT Corporation

Engineered for life