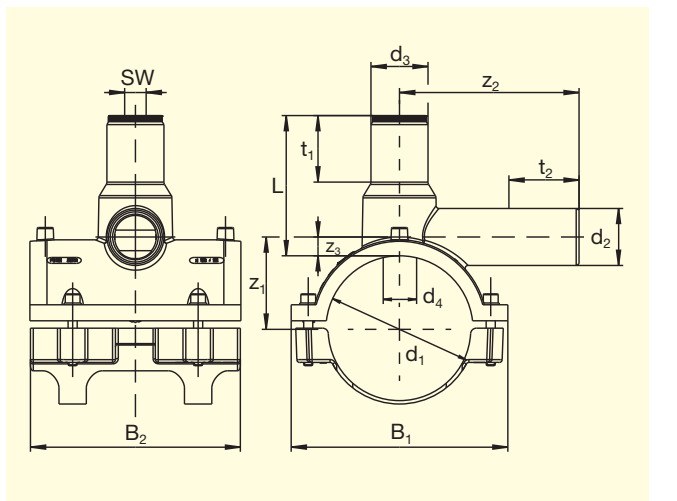


FRIALEN®-Pressure Tapping Tees DAA

with extra long outlet spigot

PE 100 SDR 11

Maximum working pressure 16 bar (water) / 10 bar (gas)



d ₁	d ₂	Order Ref.	Stock-status	VE	PE	d ₃	L	z ₁	z ₂	z ₃	t ₁	t ₂	B ₁	B ₂	SW	Drilling Ø d ₄	Weight kg/each
40	20	612 630	2	20	640	32	74	28	73	8	47	41	70	92	10	16	0.290
50	25	612 702	2	20	360	40	98	40	107	15	50	72	85	95	17	21	0.450
50	32	615 080	1	20	360	40	98	40	107	15	50	89	85	95	17	21	0.450
63	20	612 631	1	16	288	40	98	47	97	15	50	64	98	105	17	21	0.480
63	25	612 633	1	16	288	40	98	47	106	15	50	72	98	105	17	21	0.470
63	32	612 632	1	16	288	40	98	47	117	15	50	85	98	105	17	21	0.480
63	40	612 623	1	16	288	40	98	47	124	15	50	89	98	105	17	21	0.530
63	63	616 334	1	20	160	50	127	58	160	26.5	59	112	98	154	19	30	1.020
75	40	612 813	1	12	216	40	98	48	138	10	50	90	112	125	17	21	0.660
90	32	612 634	1	12	96	50	125	61	126	16	59	84	145	150	19	30	1.040
90	50	612 636	1	12	96	50	125	65	152	20	59	105	145	150	19	30	1.090
90	63	612 701	1	12	96	50	125	65	175	20	59	118	145	150	19	30	1.170
110	32	612 637	1	10	80	50	121	71	137	16	59	84	170	180	19	30	1.020
110	50	612 638	1	10	80	50	121	71	162	16	59	105	170	180	19	30	1.350
110	63	612 624	1	10	80	50	121	71	184	16	59	120	170	180	19	30	1.400
125	32	612 649	1	10	80	50	122	79	145	16	59	94	190	185	19	30	1.420
125	50	612 639	1	10	80	50	122	79	165	16	59	104	190	185	19	30	1.470
125	63	612 309	1	10	80	50	122	79	180	16	59	116	190	185	19	30	1.540
140	50	615 037	2	10	80	50	122	79	165	16	59	104	200	185	19	30	1.460
160	32	612 641	1	6	48	50	165	114	127	34	59	87	225	195	19	30	1.880
160	50	612 642	1	6	48	50	165	116	172	36	59	104	225	195	19	30	1.930
160	63	612 650	1	6	48	50	165	117	176	37	59	115	225	195	19	30	1.970
180	32	612 651	1	5	40	50	165	124	127	34	59	87	240	195	19	30	1.890
180	50	612 644	1	5	40	50	165	126	172	36	59	104	240	195	19	30	1.930
180	63	612 652	1	5	40	50	165	127	176	37	59	115	240	195	19	30	1.970
200	32	612 654	1	5	40	50	165	134	127	34	59	87	256	195	19	30	1.900
200	50	612 645	1	5	40	50	165	136	172	36	59	104	256	195	19	30	1.950
200	63	612 659	1	5	40	50	165	137	176	37	59	115	256	195	19	30	1.990
225	32	612 657	1	5	40	50	165	147	127	34	59	87	256	195	19	30	1.910
225	50	612 646	1	5	40	50	165	149	172	36	59	104	256	195	19	30	1.960
225	63	612 655	1	5	40	50	165	150	176	37	59	115	256	195	19	30	2.000

FRIALEN®-Pressure Tapping Tees ≤ d 63 can be fused to pipes of SDR stage 11 and > d 63 to pipes of SDR stages 11 to 17.6. DVGW-Registration Nos.: DV-8601AU2248 and DV-8606AU2249

Please turn over for important information regarding application of the

FRIALEN®-DAA



FRIALEN[®]-Pressure Tapping Tees DAA

with extra long outlet spigot

PE 100 SDR 11

Maximum working pressure 16 bar (Water) / 10 bar (Gas)

Areas of Application

The FRIALEN[®]-Pressure Tapping Tees are used for branches of unpressurised and pressurised pipelines.

Assembly Instructions

The fusion of the HDPE distribution pipes and the house connections with FRIALEN[®]-Pressure Tapping Tees takes place by FRIALEN[®]-fusing – leakproof and longitudinally strong.

The saddle and the outlet spigot have to be prepared according to the general installation instructions (see “Assembly Instructions” for “FRIALEN[®]-Safety Fittings for house connections and distribution pipes up to d 225”). This involves removing the oxide skin and cleaning the pipe covered by the saddle.

DVGW-Registration Nos.:
DV-8601AU2248 and DV-8606AU2249

Fifteen good reasons for using the FRIALEN[®]-DAA

- **Compact construction**
- **Installation without rounding clamp and special tools**
- **Preassembled unit without loose parts**
- **Leakage check possible before tapping**
- **Swarfless tapping**
- **Leakage free tapping of gas pipe up to 10 bar working pressure**
- **Little force required for tapping**
- **Punched-out pipe piece fits securely in drill**
- **Drill guided in metal sleeve**
- **Drill with upper and lower stop**
- **Extra wide fusion zone**
- **Dome can be fused with cap after tapping**
- **Length of outlet spigot dimensioned for two fusion operations**
- **Installation using elastic clamp for optimum build-up of molten mass pressure during fusion**
- **Additional barcode for tracing back the underground fitting (Traceability-Coding).**

Please find our datasheets for downloading on the internet at www.friatec.com

For further information, please call our FRIALEN[®] customer service staff and specialist advisers.

FRIATEC Aktiengesellschaft · Technical Plastics Division
P.O.B. 71 02 61 · D-68222 Mannheim
Telephone +49 621 486-0 · Telefax +49 621 479196
www.friatec.de · E-Mail: info-frialeen@friatec.de



an OAliaxis company