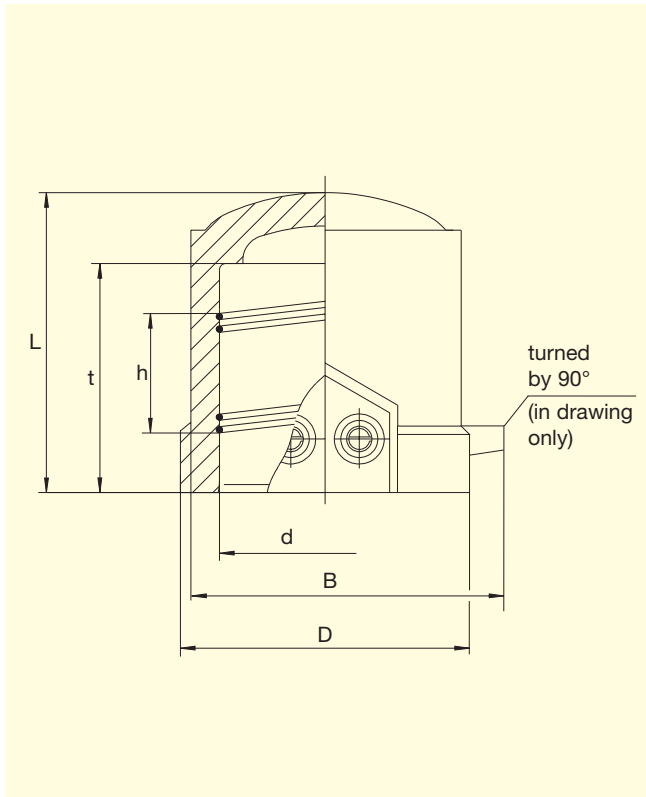


FRIALEN®-Caps for Pressure Tapping Tees K PE 100 SDR 11

Maximum working pressure 16 bar (Water) / 10 bar (Gas)



d	Order Ref.	Stock-status	VE	PE	D	L	h	t	B	Weight kg/each
50	T-612 310	1	30	960	69	72	17.6	55	82	0.115

FRIALEN®-Safety Fittings can be fused with pipes of SDR stages 11 to 17.6
DVGW-Registration No.: DV-8601AU2248

Please turn over for important information regarding application of the
FRIALEN®-Cap for Pressure Tapping Tees K



FRIALEN[®]-Caps for Pressure Tapping Tees K

PE 100 SDR 11

Maximum working pressure 16 bar (Water) / 10 bar (Gas)

Areas of Application

The FRIALEN[®]-Cap is used for final sealing of the drill socket (dome) of a Pressure Tapping Tee DAA \geq d90/xx or SPA d 63.

Also suitable as a sealing cap for d 50 pipes.

Assembly Instructions

The fusion of the dome of a FRIALEN[®]-Pressure Tapping Tee with the FRIALEN[®]-Cap K takes place by FRIALEN[®]-fusing – leakproof and longitudinally strong.

The dome is prepared according to the general installation instructions (see “Assembly Instructions” for “FRIALEN[®]-Safety Fittings for house connections and distribution pipes up to d 225”).

Nine good reasons for using the FRIALEN[®]-Cap K

- **Large insertion depth for ease of pipe guiding**
- **Maximum stability through great wall thickness**
- **Cold zones at the end to prevent the flow of molten material**
- **Exposed heating coils for optimal heat transfer to the pipe**
- **Small annular gap for build-up of optimum joining pressure in the fusion zone**
- **Contacts safe to touch**
- **Durable batch marking**
- **Individually wrapped for dirt protection**
- **Additional barcode for tracing back the underground fitting (Traceability-Coding).**

Please find our datasheets for downloading on the internet at www.friatec.com

For further information, please call our FRIALEN[®] customer service staff and specialist advisers.