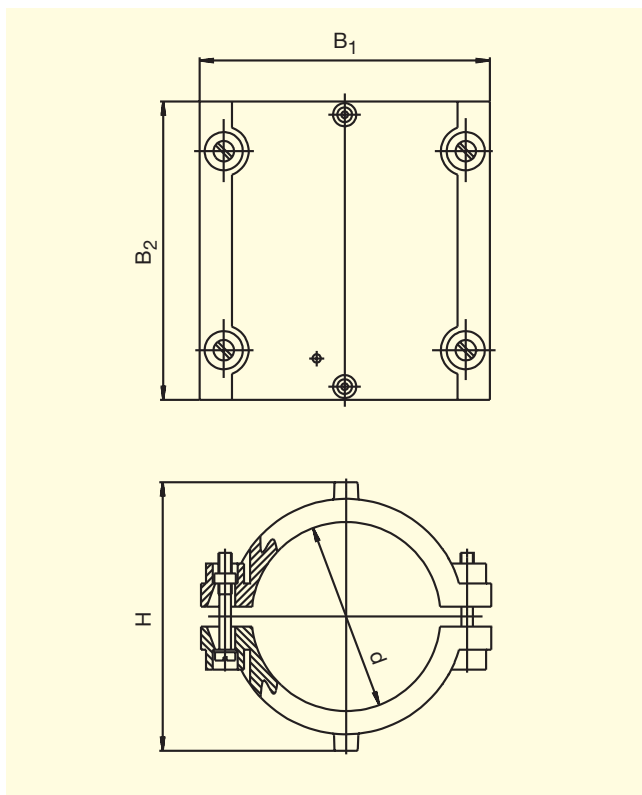


FRIALEN®-Reinforcing Saddles RS

PE 100 SDR 11

Maximum working pressure 16 bar (Water) / 10 bar (Gas)



d	Order Ref.	Stock-status	VE	PE	H	B ₁	B ₂	Weight kg/each
63	T-612 519	1	20	360	105.5	105	104	0.260

FRIALEN®-Safety Fittings can be fused to pipes of SDR stages 11 to 17.6

DVGW-Registration No.: DV-8601AU2248

Please turn over for important information regarding application of the FRIALEN®-Reinforcing Saddles RS

FRIALEN[®]-Reinforcing Saddles RS

PE 100 SDR 11

Maximum working pressure 16 bar (Water) / 10 bar (Gas)

Areas of Application

The FRIALEN[®]-Reinforcing Saddles are used for the repair of minor pipe damage **with no** escape of fluid, especially to reinforce crushed zones and points with external damage.

Assembly Instructions

The fusion of the HDPE pipe with the FRIALEN[®]-Reinforcing Saddles takes place by FRIALEN[®]-fusing – leakproof and longitudinally strong.

Both HDPE saddles have to be prepared according to the general installation instructions (see “Assembly Instructions” for “FRIALEN[®]-Safety Fittings for house connections and distribution pipes up to d 225”). This involves removing the oxide skin and cleaning the pipe covered by the saddles.

Five good reasons for using the FRIALEN[®]-RS

- **Compact construction**
- **HDPE saddle with exposed heating element for optimal heat transfer**
- **Preassembled unit without loose parts**
- **Extra wide fusion zone**
- **Additional barcode for tracing back the underground fitting (Traceability-Coding).**

Please find our datasheets for downloading on the internet at www.friatec.com

For further information, please call our FRIALEN[®]-customer service staff and specialist advisers.