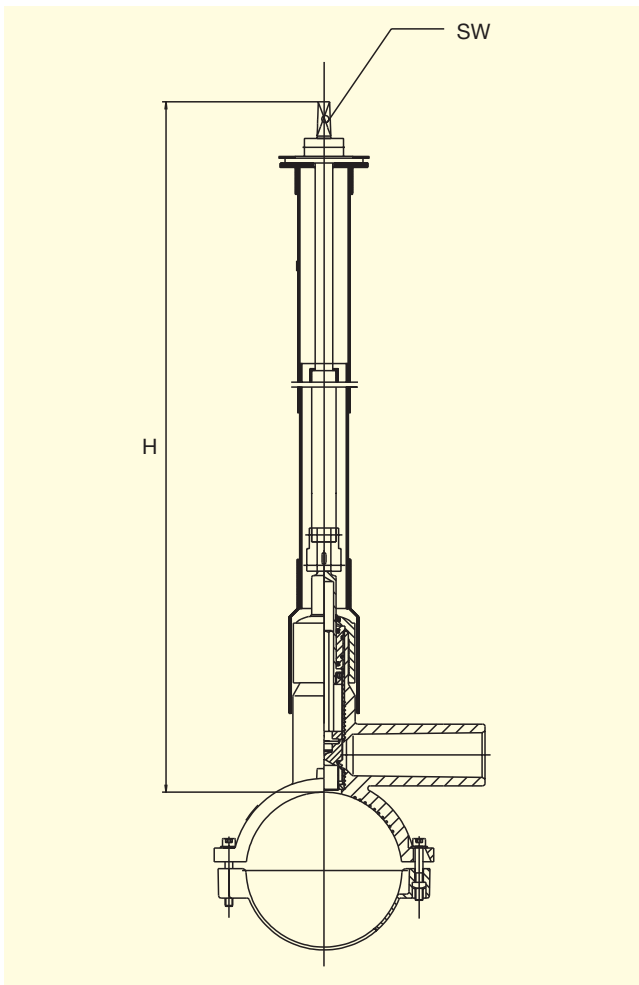


FRIALEN®-Installation kits EBS for Pressure Tapping Valves



| H in m | Order Ref. | Stock-status | VE | PE | SW | Weight kg/each |
|------------|------------|--------------|----|----|----|----------------|
| 0.45 - 0.6 | T-615 866 | 1 | 1 | 42 | 14 | 2.200 |
| 0.6 - 0.9 | T-615 867 | 1 | 1 | 42 | 14 | 2.500 |
| 0.8 - 1.2 | T-615 335 | 1 | 1 | 42 | 14 | 3.000 |
| 1.1 - 1.8 | T-615 325 | 1 | 1 | 42 | 14 | 4.200 |

Other pipe overlapping heights H on request

Please turn over for important information regarding application of the
FRIALEN®-Installation kits EBS

FRIALEN[®]-Installation kits EBS for Pressure Tapping Valves

Areas of Application

Telescopic actuating linkage for operation of the FRIALEN[®]-DAV from the street cap.

Assembly Instructions

Dimension H valid for DAV
 $d_1 = 90-125$. For DAV $d_1 < 90$ please deduct 50 mm and for $d_1 > 125$ please add 50 mm (also see DAV dimension L).

Eight good reasons for using the FRIALEN[®]-Installation kit EBS

- Stepless adjustment in the stated range (H) without the use of tools, even in the installed state
- Self supporting in any extended position
- Safe from pulling out
- Corrosion proof
- Telescopic installation kit can be extended even once it has been installed and filled
- Constructive tuning of transferable torque to FRIALEN[®]-DAV
- Non-breakable dome coupler
- Stainless steel connecting pins.

Please find our datasheets for downloading on the internet at www.friatec.de

For further information, please call our **FRIALEN[®]** customer service staff and specialist advisers.