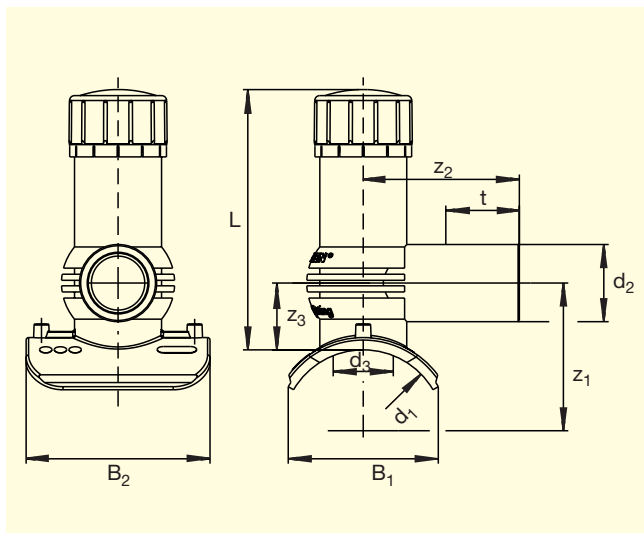


FRIALEN®-Hot Tapping Tee DASI

Top-Loading

PE 2406 SDR 11

Maximum working pressure 160 psi (Water) / 80 psi (Gas)



Medium Volume (Type 25)

d ₁	d ₂	Order-Ref.	Stock-status	VE	PE	d ₃	Z ₁	Z ₂	Z ₃	B ₁	B ₂	t	L	Weight kg/each
2 IPS	1/2 CTS	T-615 931	2	16	288	0.98	2.56	3.45	1.37	2.80	4.72	1.26	5.75	0.38
2 IPS	3/4 IPS	T-615 932	2	16	288	0.98	2.56	3.84	1.37	2.80	4.72	1.38	5.75	0.39
2 IPS	1 CTS	T-615 933	2	16	288	0.98	2.56	4.24	1.37	2.80	4.72	1.65	5.75	0.40
2 IPS	1 1/4 CTS	T-615 934	2	16	288	0.98	2.56	4.24	1.37	2.80	4.72	1.65	5.75	0.41
4 IPS	1/2 CTS	T-615 935	2	24	192	0.98	3.54	3.45	1.29	4.53	5.91	1.26	5.71	0.51
4 IPS	3/4 IPS	T-615 936	2	24	192	0.98	3.54	3.84	1.29	4.53	5.91	1.38	5.71	0.52
4 IPS	1 CTS	T-615 937	2	24	192	0.98	3.54	4.24	1.29	4.53	5.91	1.65	5.71	0.52
4 IPS	1 1/4 CTS	T-615 938	2	24	192	0.98	3.54	4.24	1.29	4.53	5.91	1.65	5.71	0.54
6 IPS	1/2 CTS	T-615 939	2	24	192	0.98	4.37	3.45	1.06	4.96	5.91	1.26	5.87	0.51
6 IPS	3/4 IPS	T-615 940	2	24	192	0.98	4.37	3.84	1.06	4.96	5.91	1.38	5.87	0.52
6 IPS	1 CTS	T-615 941	2	24	192	0.98	4.37	4.24	1.06	4.96	5.91	1.65	5.87	0.52
6 IPS	1 1/4 CTS	T-615 942	2	24	192	0.98	4.37	4.24	1.06	4.96	5.91	1.65	5.87	0.54

High Volume (Type 33, Type 50)

d ₁	d ₂	Order-Ref.	Stock-status	VE	PE	d ₃	Z ₁	Z ₂	Z ₃	B ₁	B ₂	t	L	Weight kg/each
2 IPS	1 1/4 IPS	T-615 974	2	16	288	1.18	2.17	4.68	0.98	2.80	4.72	1.81	4.37	0.45
2 IPS	2 IPS	T-615 975	2	16	288	1.18	2.32	6.50	1.14	2.80	4.72	2.36	4.37	0.58
4 IPS	1 1/4 IPS	T-615 978	2	12	96	1.77	4.13	5.51	1.88	4.61	5.91	1.81	8.15	1.63
4 IPS	2 IPS	T-615 979	2	12	96	1.77	4.13	6.30	1.88	4.61	5.91	2.36	8.15	1.71
6 IPS	1 1/4 IPS	T-615 980	2	12	96	1.77	4.13	5.51	0.82	4.96	5.91	1.81	8.15	1.63
6 IPS	2 IPS	T-615 981	2	12	96	1.77	4.13	6.30	0.82	4.96	5.91	2.36	8.15	1.71

FRIALEN®-Hot Tapping Tee DASI can be used for pipes of SDR 11 to 17.6

For installation of DASI Type 25, 33 and 50 the Installation Set DAS is required

Order-Ref.: T-613 340

Please turn over for important information regarding application of the **FRIALEN®**-Hot Tapping Tees DASI.



FRIALEN[®]-Hot Tapping Tee DASI

Top-Loading

PE 2406 SDR 11

Maximum working pressure 160 psi (Water) / 80 psi (Gas)

Areas of Application

FRIALEN[®]-DASI Hot Tapping Tees are used for branches of unpressurised and pressurised gas and water pipelines.

Assembly Instructions

The fusion of the HDPE distribution pipes and the house connections with FRIALEN[®]-Hot Tapping Tees takes place by FRIALEN[®]-fusing – leakproof and longitudinally strong.

The saddle and the outlet spigot have to be prepared according to the general installation instructions (see „Assembly Instructions“ „FRIALEN[®] DASI Hot Tapping Tees“).

For installation - clamping onto the pipe and tapping - the DASI installation set is required.

Ten good reasons for using the FRIALEN[®] DASI

- **Compact design**
- **Installation without rerounding clamps, no underclamps required**
- **Easy installation with DASI installation set**
- **High-volume tapping with extra large drill \varnothing 30 and \varnothing 45 mm**
- **Pressure test possible before tapping**
- **Swarfless tapping**
- **Punched-out pipe piece fits securely in drill**
- **Drill with upper and lower stop**
- **Extra wide fusion zone**
- **Length of outlet spigot dimensioned for two fusion operations**

Please find our datasheets for downloading on the internet at www.friatec.com

For further information, please call our FRIALEN[®]-customer service staff and specialist advisers.