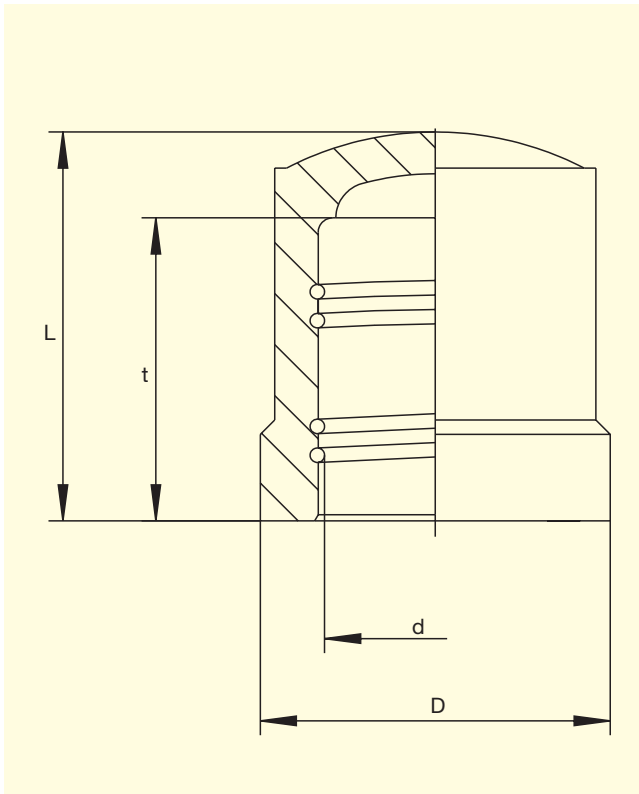


FRIALEN®-Cap for Shut off Saddles SPAK

PE 100 SDR 11

Maximum working pressure 16 bar (Water) / 10 bar (Gas)



d	Order Ref.	Stock-status	VE	PE	D	L	t	Weight kg/each
75	T-612 311	1	24	768	97	84	61	0.270

FRIALEN®-Safety Fittings can be fused to pipes of SDR stages 11 to 17.6
DVGW-Registration No.: DV-8606AU2249

Please turn over for important information regarding application of the
FRIALEN®-Cap for Shut off Saddles SPAK

FRIALEN[®]-Cap for Shut off Saddles SPAK

PE 100 SDR 11

Maximum working pressure 16 bar (Water) / 10 bar (Gas)

Areas of Application

FRIALEN[®]-Cap SPAK is used for final sealing of the drill socket (dome) of a Shut off Saddle SPA or SPA-TL

Also suitable as End Cap MV for d 75.

Assembly Instructions

The fusion of the Dome of a FRIALEN[®]-Shut off Saddle with the FRIALEN[®]-Cap SPAK takes place by FRIALEN[®]-fusing – leakproof and longitudinally strong.

The dome has to be prepared according to the general installation instructions (see “Assembly Instructions” for “FRIALEN[®]-Safety Fittings for house connections and distribution pipes up to d225”). This involves removing the oxide skin and cleaning the pipe ends.

Ten good reasons for using the FRIALEN[®]-Cap for Shut off Saddle SPAK

- Large insertion depth for ease of pipe guiding
- Extra wide fusion zones
- Maximum stability through great wall thickness
- Cold zones at the end to prevent the flow of molten material
- Exposed heating coils for optimal heat transfer to the pipe
- Small annular gap for build-up of optimum joining pressure in the fusion zone
- Contacts safe to touch
- Durable batch marking
- Individually wrapped for dirt protection
- Additional barcode for tracing back the underground fitting (Traceability-Coding).

Please find our datasheets for downloading on the internet at www.friatec.de

For further information, please call our FRIALEN[®]-customer service staff and specialist advisers.