

SARTELL Valves, Inc.



MANUAL GEAR ACTUATORS TECHNICAL SPECIFICATIONS



Design and Construction

Sartell Valves, Inc. Manual Gear Actuators are available in cast iron construction for use on DeZURIK Water Controls and Sartell Valves & Controls 1/2"-3" PEC Eccentric Valves.

Manual gear cast iron actuators feature sintered bronze bearings on each end of the input shaft for durability and performance. The ductile iron gear provides strength for robust applications and a long service life without maintenance. Manual gear cast iron actuators are available with handwheel or chainwheel.

Externally Adjustable Stops

Open and closed position stop screws are externally adjustable, permitting easy and quick adjustment of gear limit stop positions for the valve.

Easily Visible Indicator

Manual gear actuators feature an external, easy-to-read indicator that clearly indicates valve position.

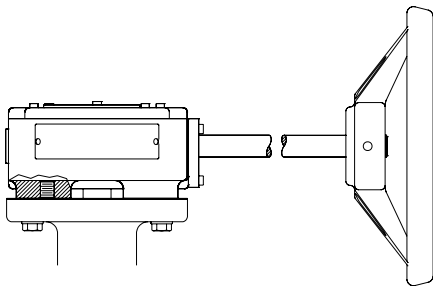
Safety Lockout

As an option, a convenient lockout may be ordered on handwheel actuators. The lockout allows the actuator to be padlocked in open, closed and various intermediate positions. The lockout may also be purchased separately for field conversion.

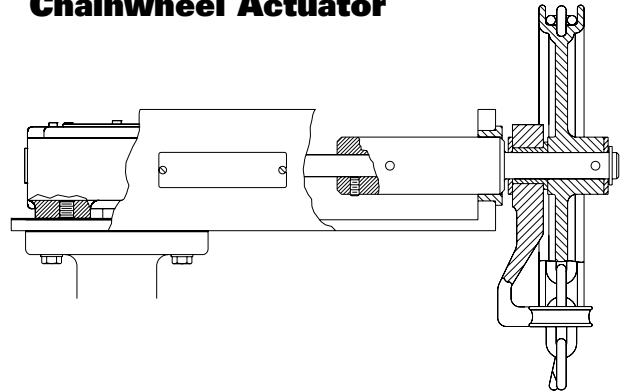
Standardized Mounting

The actuator features tapped mounting holes which allow simple, external mounting of the actuator to the valve. The ISO bolt pattern permits interchangeability with other DeZURIK Water Controls and Sartell Valves & Controls actuators and valve styles.

Handwheel Actuator



Chainwheel Actuator



Actuator Weights

Cast Iron Basic Actuator*

Actuator Size	Weight lbs/kg
MG-7	8 / 4

* Add input weights for total.

Safety Lockout*

Actuator Size	Weight lbs/kg
MG-7	1 / .5

* Add to actuator and input weights.

Input Weights* Handwheel

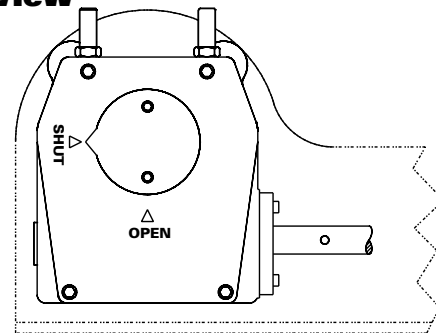
Handwheel Size	Weight lbs/kg
HD8	8 / 4

* Add actuator weights for total.

Chainwheel

Chainwheel Size	Weight lbs/kg
CW8	11 / 5

Top View



Phantom lines indicate support bracket for chainwheel actuator.

Ordering

Actuator Type
Give the actuator type code as follows:
MG = Manual Gear Actuator

Actuator Size
Give the actuator size code as follows:
Cast Iron Units
7 = Manual Gear Size 7

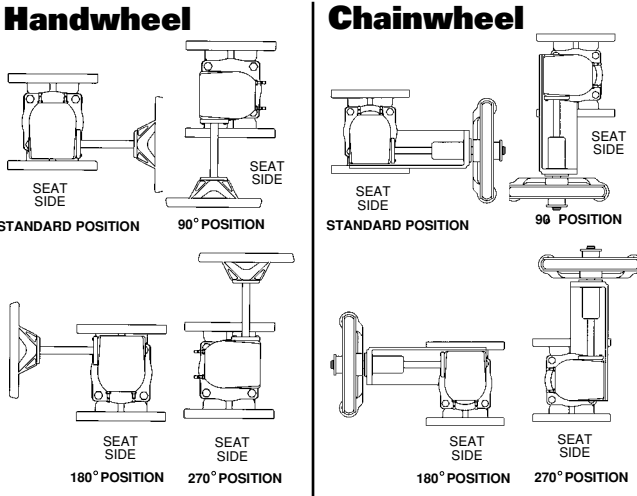
Input Type/Size
Give the input type/size code as follows:
HD8 = 8" Handwheel
CW8 = 8" Chainwheel

Actuator Mounting
Specify actuator mounting positions other than standard (90°, 180°, 270°) as second line information.

Ordering Example:
PEC, 3, F1, CI, NBR, CR*MG-7-HD8

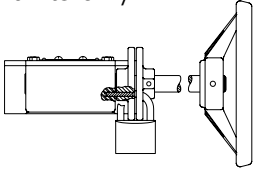
Mounting Positions

PEC
Handwheel and chainwheel actuators can be mounted at standard 90°, 180° and 270° mounting positions.



Options and Accessories

Manual Gear Safety Lockout
Shaft hubs allow the actuator to be padlocked in open, closed and in various intermediate positions. Lockouts are available on weatherproof handwheel units only.



To order mounted, add LK after the actuator code.

Actuator Size	Order Code
MG-7-HD8	LK

Ordering Example:
PEC, 3, F1, CI, NBR, CR*MG-7-HD8, LK

To order as a separate item, use the order code listed in the table.

Actuator Size	Order Code
MG-7	ACC*LK6

Ordering Example: ACC*LK6

Galvanized Chainwheel and Guide

Same as chainwheel actuator except chainwheel and guide are galvanized. To order, specify galvanized chainwheel and guide as second line information.

Ordering Example:
PEC, 3, F1, CI, NBR, CR*MG-7-CW8
Except chainwheel and chain guide to be galvanized.

Chain for Chainwheel Actuators

Order as a separate item by giving code from the table below and required length of chain.

Order Code	Description
ACC*CN102	Standard 3/16
ACC*CN103	Galvanized 3/16
ACC*CN106	304 Stainless Steel 3/16

Ordering Example:
ACC*CN102
Chain 10 feet (3048mm) long.

Options and Accessories (continued)

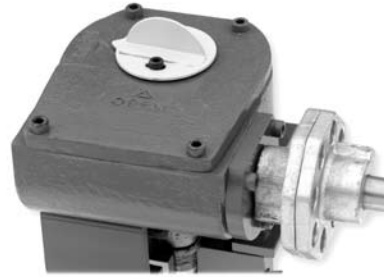


Memory/Open Position Stop

An adjustable memory stop is available on handwheel actuators. It allows return of the valve to a preset open position after shutoff. To order as part of a valve/actuator assembly, add ST to the order code.

Ordering Example:

PEC, 3, F1, CI, NBR, CR*MG-7-HD8, ST



Flag Indicator

A highly visible flag indicator, to show disc position, is available on handwheel actuated valves. To order as part of a valve/actuator assembly, add FI to the actuator code.

Ordering Example:

PEC, 3, F1, CI, NBR, CR*MG-7-HD8, FI

To order as a separate item, use the order code listed below:

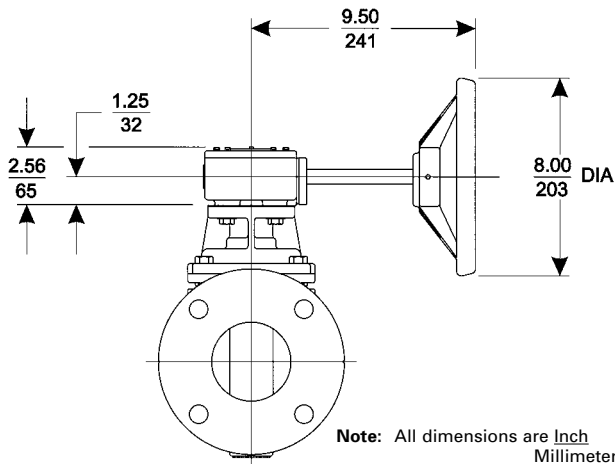
Ordering Example: ACC*FI

Switches and Position Transmitters

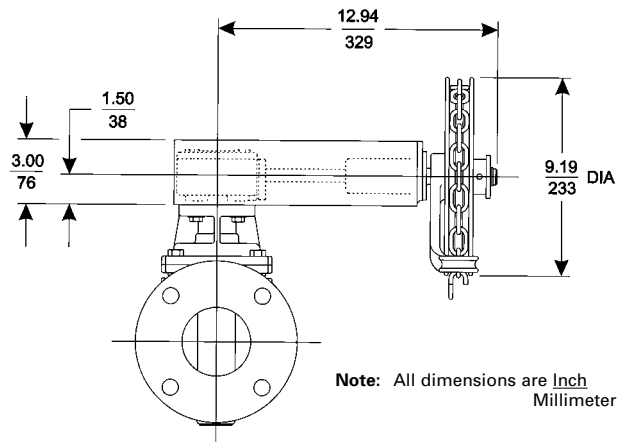
Position indicating switches can be ordered separately or combined with a position transmitter in one enclosure. Refer to Bulletin 83.00-1 for technical and ordering information.

Dimensions

Handwheel



Chainwheel



Sales and Service

For information about our worldwide locations, approvals, certifications and local representative:

Web Site: www.sartellvalves.com E-Mail: info@sartellvalves.com

SARTELL Valves, Inc.



250 Riverside Ave. N. Sartell, Minnesota 56377 • Phone: 320-259-2000 • Fax: 320-259-2227

Sartell Valves, Inc. reserves the right to incorporate our latest design and material changes without notice or obligation. Design features, materials of construction and dimensional data, as described in this bulletin, are provided for your information only and should not be relied upon unless confirmed in writing by Sartell Valves, Inc. Certified drawings are available upon request.

Printed in the U.S.A.