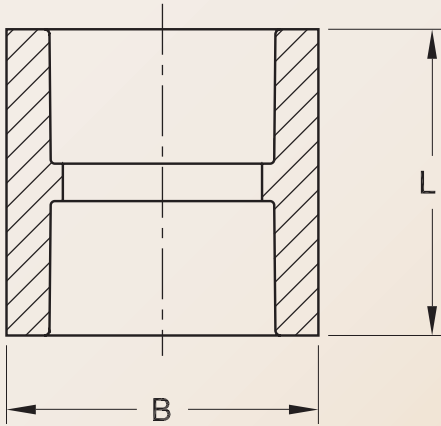
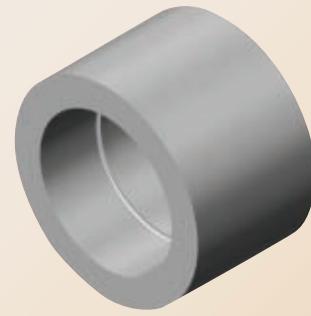


## Socket Fittings: Couplings



### SOCKET COUPLING DIMENSIONS

Nominal Size	A	B	L
1/2" CTS	-	1.08	2.19
1/2" IPS	-	1.20	2.19
3/4" CTS	-	1.21	2.19
3/4" IPS	-	1.46	2.19
1" CTS	-	1.46	2.20
1" IPS	-	1.82	2.19
1-1/4" IPS	-	2.27	2.19
1-1/2" IPS	-	2.55	2.18
2" IPS	-	3.27	2.36
2" IPS SIDR 9	-	3.27	2.30
3" IPS	-	5.07	2.81
4" IPS	-	6.48	3.18

### (PE2406/PE2708) SOCKET COUPLINGS

Main Size	Part Number	Pack. Qty.	Wt.	CSA	IAPMO
1/2" CTS	6900415	100	0.05	YES	-
1/2" IPS	6900507	100	0.05	YES	-
3/4" IPS	6900418	100	0.21	YES	-
1" CTS	690111120000	100	0.06	YES	YES
1" IPS	690010120000	100	0.10	YES	YES
1-1/4" IPS	690121220000	100	0.15	YES	YES
1-1/2" IPS	690151520000	100	0.20	YES	-
2" IPS	690020220000	100	0.34	YES	YES
3" IPS	690030320000	10	1.13	YES	YES
4" IPS	690040420000	10	2.02	YES	YES



The connection since 1955<sup>®</sup>

The Right Connection

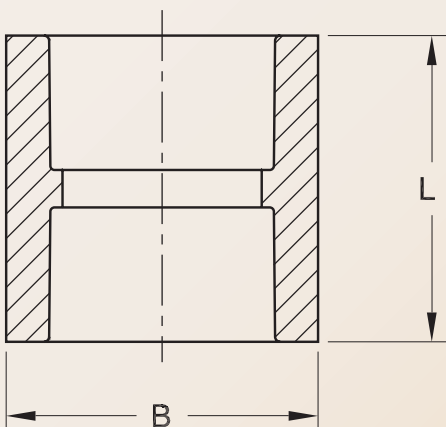
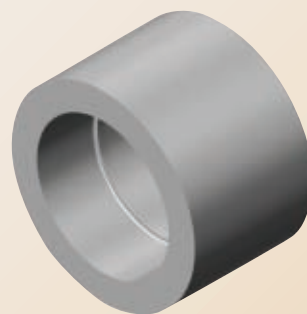
Call for availability of other sizes and dimensions.

**1-800-654-3872**

**1-405-273-6302**

[www.centralplastics.com](http://www.centralplastics.com)

## Socket Fittings: Couplings



### SOCKET COUPLING DIMENSIONS

Nominal Size	A	B	L
1/2" CTS	-	1.08	2.19
1/2" IPS	-	1.20	2.19
3/4" CTS	-	1.21	2.19
3/4" IPS	-	1.46	2.19
1" CTS	-	1.46	2.20
1" IPS	-	1.82	2.19
1-1/4" IPS	-	2.27	2.19
1-1/2" IPS	-	2.55	2.18
2" IPS	-	3.27	2.36
2" IPS SIDR 9	-	3.27	2.30
3" IPS	-	5.07	2.81
4" IPS	-	6.48	3.18

### (PE3408/PE4710) SOCKET COUPLINGS

Main Size	Part Number	Pack. Qty.	Wt.	AWWA
1/2" IPS	10005378	100	0.06	YES
3/4" IPS	10005379	100	0.07	YES
1" CTS	10005380	100	0.06	YES
1" IPS	10005381	100	0.11	YES
1-1/4" IPS	10005382	100	0.15	YES
1-1/2" IPS	10005383	100	0.19	YES
2" IPS	10005384	100	0.34	YES
3" IPS	10005385	10	1.17	YES
4" IPS	10005386	10	1.96	YES



The connection since 1955®

The Right Connection

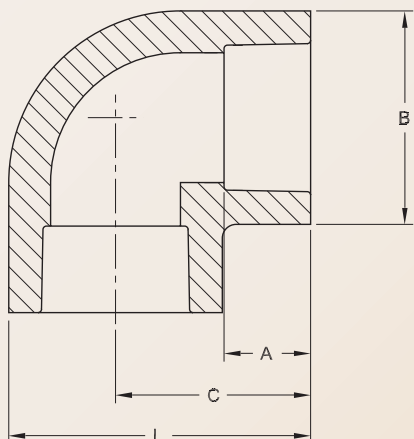
Call for availability of other sizes and dimensions.

**1-800-654-3872**

**1-405-273-6302**

[www.centralplastics.com](http://www.centralplastics.com)

## Socket Fittings: Elbows



### SOCKET ELBOW DIMENSIONS

Nominal Size	A	B	C	L
1/2" CTS	.66	1.18	1.31	1.90
1/2" IPS	.66	1.20	1.31	1.91
3/4" IPS	.75	1.50	1.63	2.38
1" CTS	.77	1.50	1.63	2.38
1" IPS	.77	1.83	1.69	2.61
1-1/4" IPS	.95	2.27	2.09	3.23
1-1/2" IPS	.98	2.63	2.33	3.65
2" IPS	1.00	3.28	2.73	4.37
3" IPS	1.17	5.21	4.13	6.74
4" IPS	1.34	6.40	5.50	8.70

### (PE2406/PE2708) SOCKET ELBOWS

Main Size	Part Number	Pack. Qty.	Wt.	CSA	IAPMO
1/2" CTS	690626223000	100	0.08	-	YES
1/2" IPS	690505023000	100	0.06	YES	YES
3/4" IPS	690757523000	100	0.11	YES	YES
1" CTS	690111123000	100	0.11	-	YES
1" IPS	690010123000	50	0.16	YES	YES
1-1/4" IPS	690121223000	100	0.27	YES	YES
1-1/2" IPS	690151523000	70	0.40	-	YES
2" IPS	690020223000	50	0.71	YES	YES
3" IPS	690030323000	8	3.36	YES	YES
4" IPS	690040423000	8	6.18	YES	YES



The connection since 1955<sup>®</sup>

The Right Connection

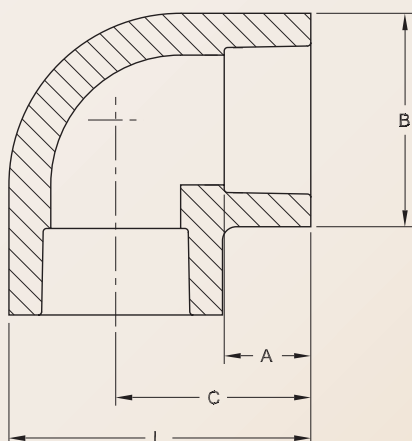
Call for availability of other sizes and dimensions.

**1-800-654-3872**

**1-405-273-6302**

[www.centralplastics.com](http://www.centralplastics.com)

## Socket Fittings: Elbows



### SOCKET ELBOW DIMENSIONS

Nominal Size	A	B	C	L
1/2" CTS	0.66	1.18	1.31	1.90
1/2" IPS	0.66	1.20	1.31	1.91
3/4" IPS	0.75	1.50	1.63	2.38
1" CTS	0.77	1.50	1.63	2.38
1" IPS	0.77	1.83	1.69	2.61
1-1/4" IPS	0.95	2.27	2.09	3.23
1-1/2" IPS	0.98	2.63	2.33	3.65
2" IPS	1.00	3.28	2.73	4.37
3" IPS	1.17	5.21	4.13	6.74
4" IPS	1.34	6.40	5.50	8.70

### (PE3408/PE4710) SOCKET ELBOWS

Main Size	Part Number	Pack. Qty.	Wt.	AWWA
1/2" CTS	10005356	100	0.08	YES
1/2" IPS	10005357	100	0.06	YES
3/4" IPS	10005358	100	0.11	YES
1" CTS	10005360	100	0.10	YES
1" IPS	10005361	60	0.16	YES
1-1/4" IPS	10005363	100	0.27	YES
1-1/2" IPS	10005365	70	0.41	YES
2" IPS	10005366	50	0.73	YES
3" IPS	10005367	8	3.29	YES
4" IPS	10005368	8	6.25	YES



The connection since 1955®

The Right Connection

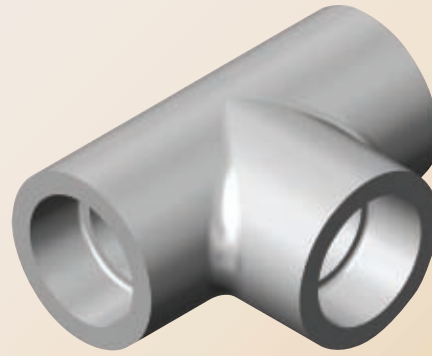
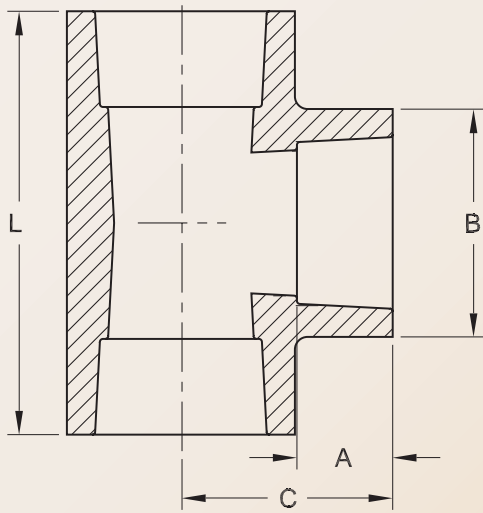
Call for availability of other sizes and dimensions.

**1-800-654-3872**

**1-405-273-6302**

[www.centralplastics.com](http://www.centralplastics.com)

## Socket Fittings: Tees



### SOCKET TEE DIMENSIONS

Nominal Size	A	B	C	L
1/2" CTS	0.63	1.17	1.31	2.63
1/2" IPS	0.64	1.19	1.31	2.66
3/4" IPS	0.73	1.49	1.63	3.25
1" CTS	0.91	1.50	1.63	3.26
1" IPS	0.75	1.84	1.69	3.41
1-1/4" IPS	0.98	2.30	2.10	4.22
1-1/2" IPS	0.97	2.65	2.34	4.67
2" IPS	0.97	3.26	2.78	5.40
3" IPS	1.19	5.25	4.20	8.28
4" IPS	1.33	6.52	5.64	11.14

### (PE2406/PE2708) SOCKET TEES

Main Size	Part Number	Pack. Qty.	Wt.	CSA	IAPMO
1/2" CTS	690626224000	100	0.10	YES	YES
1/2" IPS	690505024000	100	0.07	YES	YES
3/4" IPS	690757524000	100	0.14	YES	YES
1" CTS	690111124000	100	0.13	-	YES
1" IPS	690010124000	100	0.21	YES	YES
1-1/4" IPS	690121224000	100	0.37	YES	YES
1-1/2" IPS	690151524000	40	0.63	-	YES
2" IPS	690020224000	30	0.98	YES	YES
3" IPS	690030324000	8	4.06	YES	YES
4" IPS	690040424000	4	8.57	YES	YES



The connection since 1955®

The Right Connection

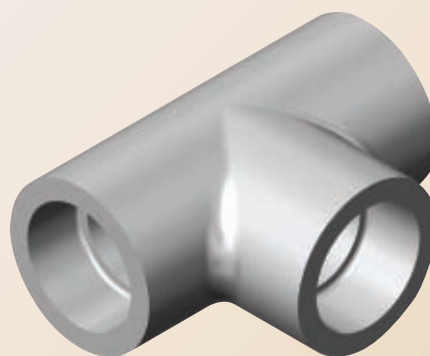
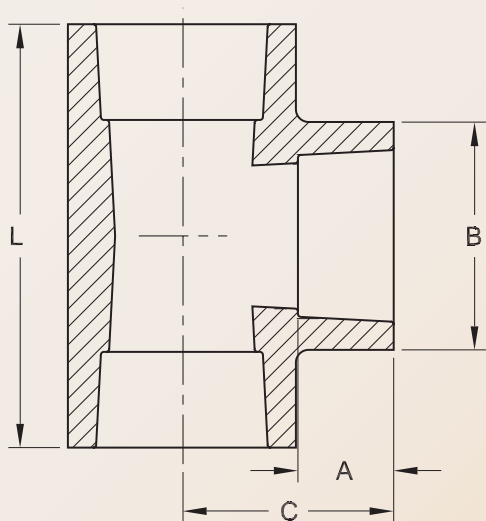
Call for availability of other sizes and dimensions.

**1-800-654-3872**

**1-405-273-6302**

[www.centralplastics.com](http://www.centralplastics.com)

## Socket Fittings: Tees



**SOCKET TEE DIMENSIONS**

Nominal Size	A	B	C	L
1/2" CTS	0.63	1.17	1.31	2.63
1/2" IPS	0.64	1.19	1.31	2.66
3/4" IPS	0.73	1.49	1.63	3.25
1" CTS	0.91	1.50	1.63	3.26
1" IPS	0.75	1.84	1.69	3.41
1-1/4" IPS	0.98	2.30	2.10	4.22
1-1/2" IPS	0.97	2.65	2.34	4.67
2" IPS	0.97	3.26	2.78	5.40
3" IPS	1.192	5.25	4.20	8.28
4" IPS	1.334	6.52	5.64	11.14

**(PE3408/PE4710) SOCKET TEES**

Main Size	Part Number	Pack. Qty.	Wt.	AWWA
1/2" CTS	10005404	100	0.09	YES
1/2" IPS	10005405	100	0.09	YES
3/4" IPS	10005407	100	0.14	YES
1" CTS	10005408	100	0.13	YES
1" IPS	10005410	100	0.21	YES
1-1/4" IPS	10005411	100	0.38	YES
1-1/2" IPS	10005413	40	0.55	YES
2" IPS	10005414	30	0.99	YES
3" IPS	10005415	8	4.08	YES
4" IPS	call	-	-	-



The connection since 1955®

The Right Connection

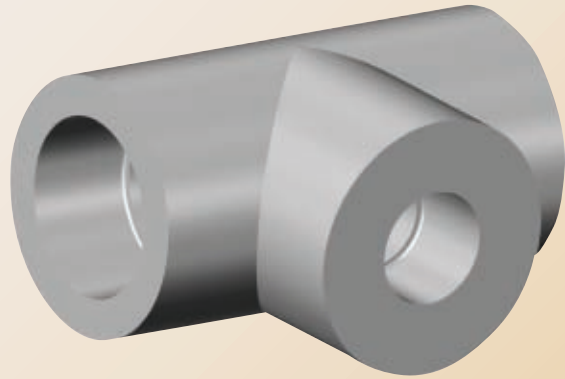
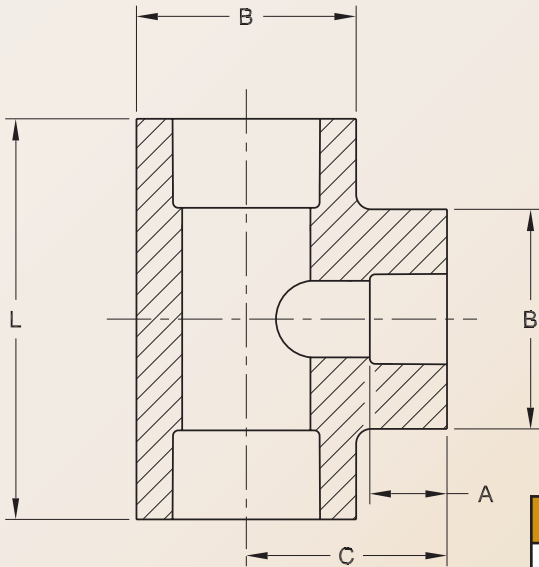
Call for availability of other sizes and dimensions.

**1-800-654-3872**

**1-405-273-6302**

[www.centralplastics.com](http://www.centralplastics.com)

## Socket Fittings: Reducing Tees



**SOCKET REDUCING TEE DIMENSIONS**

Nominal Size	A	B	C	L
3/4" X 3/4" X 1/2"	0.65	1.50	1.63	3.25
1" X 1" X 1/2"	0.65	1.85	1.69	3.38
1" X 1" X 3/4"	0.65	1.85	1.80	3.38

**(PE2406/PE2708) SOCKET REDUCING TEES**

Main Size	Part Number	Pack. Qty.	Wt.	CSA	IAPMO
3/4" X 3/4" X 1/2"	call	-	-	-	-
1" X 1" X 1/2"	6900503	100	0.26	-	-
1" X 1" X 3/4"	6900560	100	0.25	-	-

**(PE 3408/PE4710) SOCKET REDUCING TEES**

Main Size	Part Number	Pack. Qty.	Wt.	AWWA
3/4" X 3/4" X 1/2"	10005406	100	0.21	YES
1" X 1" X 1/2"	10005409	100	0.26	YES
1" X 1" X 3/4"	call	-	-	-



The connection since 1955®

The Right Connection

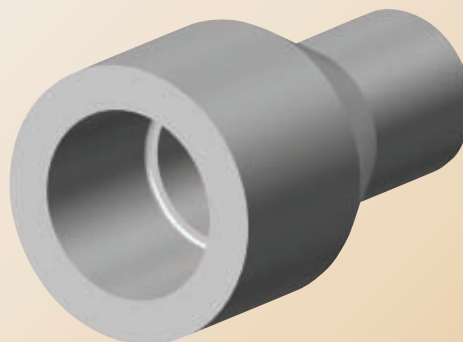
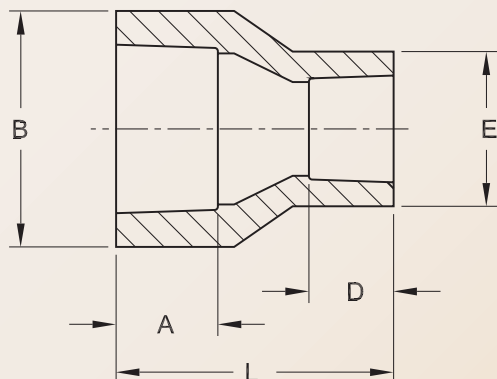
Call for availability of other sizes and dimensions.

**1-800-654-3872**

**1-405-273-6302**

www.centralplastics.com

## Socket Fittings: Reducers



### SOCKET REDUCER DIMENSIONS

Nominal Size	A	B	D	E	L
1/2" IPS X 1/2" CTS	0.65	1.23	0.64	1.09	1.83
3/4" CTS X 1/2" CTS	0.64	1.23	0.65	1.08	1.84
3/4" IPS X 1/2" CTS	0.71	1.46	0.64	1.08	1.85
3/4" IPS X 1/2" IPS	0.73	1.45	0.64	1.20	1.84
1" CTS X 1/2" CTS	0.74	1.45	0.64	1.07	1.85
1" CTS X 1/2" IPS	0.76	1.45	0.64	1.20	1.84
1" CTS X 3/4" CTS	0.68	1.45	0.68	1.18	1.85
1" CTS X 3/4" IPS	0.79	1.45	0.98	1.44	2.19
1" IPS X 1/2" CTS	0.76	1.82	0.63	1.16	2.09
1" IPS X 1/2" IPS	0.78	1.83	0.65	1.21	2.16
1" IPS X 3/4" IPS	0.75	1.83	0.68	1.46	1.98
1" IPS X 1" CTS	0.74	1.82	0.69	1.46	1.98
1-1/4" IPS X 1/2" IPS	0.94	2.26	0.65	1.21	2.37
1-1/4" IPS X 3/4" IPS	1.00	2.26	0.72	1.46	2.18



The connection since 1955<sup>®</sup>

The Right Connection

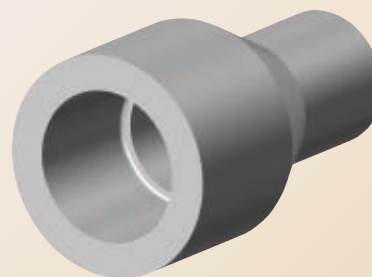
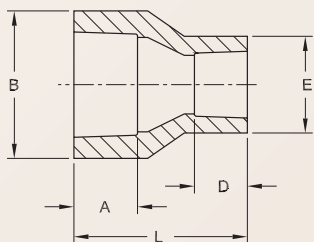
Call for availability of other sizes and dimensions.

**1-800-654-3872**

**1-405-273-6302**

[www.centralplastics.com](http://www.centralplastics.com)

## Socket Fittings: Reducers



### SOCKET REDUCER DIMENSIONS

Size	A	B	D	E	L
1-1/4" IPS X 1" CTS	1.02	2.25	.75	1.47	2.18
1-1/4" IPS X 1" IPS	0.96	2.26	.81	1.83	2.27
1-1/2" IPS X 3/4" IPS	0.96	2.56	.74	1.46	2.16
1-1/2" IPS X 1" CTS	0.96	2.56	.87	1.46	2.16
1-1/2" IPS X 1" IPS	0.96	2.56	.77	1.84	2.15
1-1/2" IPS X 1-1/4" IPS	0.97	2.56	.95	2.30	2.16
2" IPS X 1" IPS	0.99	3.27	.76	1.83	2.52
2" IPS X 1-1/4" IPS	1.00	3.28	.96	2.28	2.55
2" IPS X 1-1/2" IPS	0.99	3.27	.97	2.55	2.56
3" IPS X 2" IPS	1.19	5.04	.98	3.50	3.18
4" IPS X 2" IPS	1.29	6.48	.97	3.54	4.14
4" IPS X 3" IPS	1.29	6.41	1.17	5.00	4.48

### (PE2406/PE2708) SOCKET REDUCERS

Size	Part Number	Pack. Qty.	Wt.	CSA	IAPMO
1/2" IPS X 1/2" CTS	6900003	100	0.05	-	YES
3/4" CTS X 1/2" CTS	6900556	100	0.05	-	-
3/4" IPS X 1/2" CTS	690756221000	100	0.06	YES	YES
3/4" IPS X 1/2" IPS	690755021000	100	0.05	-	YES
1" CTS X 1/2" CTS	6900002	100	0.05	-	YES
1" CTS X 3/4" IPS	6900037	100	0.06	-	YES
1" IPS X 1/2" CTS	690016221000	100	0.09	YES	YES
1" IPS X 1/2" IPS	690015021000	100	0.08	-	YES
1" IPS X 3/4" IPS	690017521000	100	0.08	YES	YES
1" IPS X 1" CTS	690011121000	100	0.09	YES	YES
1-1/4" IPS X 1/2" CTS	6900578	25	0.17	-	-
1-1/4" IPS X 1/2" IPS	6900047	100	0.13	-	YES



The connection since 1955<sup>®</sup>

The Right Connection

Call for availability of other sizes and dimensions.

**1-800-654-3872**

**1-405-273-6302**

[www.centralplastics.com](http://www.centralplastics.com)

## Socket Fittings: Reducers

### (PE2406/PE2708) SOCKET REDUCERS

Size	Part Number	Pack. Qty.	Wt.	CSA	IAPMO
1-1/4" IPS X 3/4" IPS	690127521000	100	0.12	YES	YES
1-1/4" IPS X 1" CTS	6900019	100	0.14	YES	YES
1-1/4" IPS X 1" IPS	690120121000	100	0.14	YES	YES
1-1/2" IPS X 3/4" IPS	6900007	100	0.14	-	YES
1-1/2" IPS X 1" IPS	6900021	100	0.15	-	YES
1-1/2" IPS X 1-1/4" IPS	6900008	100	0.17	-	YES
2" IPS X 1" CTS	6900554	30	0.41	-	-
2" IPS X 1" IPS	6900020	100	0.26	-	YES
2" IPS X 1-1/4" IPS	690021221000	100	0.30	YES	YES
2" IPS X 1-1/2" IPS	690021521000	100	0.30	YES	YES
3" IPS X 2" IPS	690030221000	10	1.04	YES	YES
4" IPS X 2" IPS	690040221000	10	1.90	YES	YES
4" IPS X 3" IPS	690040321000	5	2.38	YES	YES

### (PE3408/PE4710) SOCKET REDUCERS

Size	Part Number	Pack. Qty.	Wt.	AWWA
1/2" IPS X 1/2" CTS	10005387	100	0.05	YES
3/4" IPS X 1/2" CTS	10005388	100	0.05	YES
1" CTS X 1/2" CTS	10005389	100	0.05	YES
1" CTS X 3/4" IPS	10005390	100	0.07	YES
1" IPS X 1/2" IPS	10005391	100	0.08	YES
1" IPS X 3/4" IPS	10005392	100	0.08	YES
1-1/4" CTS X 1" CTS	10005393	100	0.14	YES
1-1/4" IPS X 3/4" IPS	10005394	100	0.13	YES
1-1/4" IPS X 1" IPS	10005395	100	0.15	YES
1-1/2" IPS X 1" IPS	10005396	100	0.15	YES
1-1/2" IPS X 1-1/4" IPS	10005397	100	0.18	YES
2" IPS X 1" IPS	10005398	100	0.27	YES
2" IPS X 1-1/4" IPS	10005399	100	0.29	YES
2" IPS X 1-1/2" IPS	10005400	100	0.30	YES
3" IPS X 2" IPS	10005401	10	1.01	YES
4" IPS X 2" IPS	10005402	10	1.88	YES
4" IPS X 3" IPS	10005403	5	2.23	YES



The connection since 1955<sup>®</sup>

The Right Connection

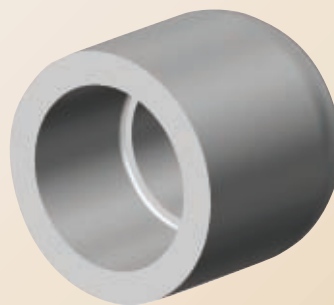
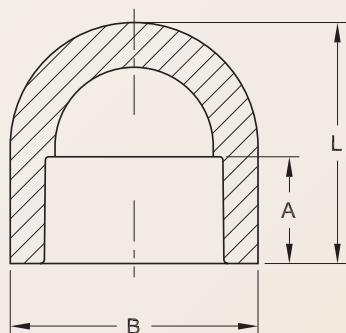
Call for availability of other sizes and dimensions.

**1-800-654-3872**

**1-405-273-6302**

[www.centralplastics.com](http://www.centralplastics.com)

## Socket Fittings: End Caps



### SOCKET END CAP DIMENSIONS

Nominal Size	A	B	L
1/2" CTS	0.67	1.09	1.32
1/2" IPS	0.66	1.23	1.37
3/4" IPS	0.74	1.45	1.56
1" CTS	0.98	1.46	1.82
1" IPS	0.78	1.83	1.78
1-1/4" IPS	0.98	2.28	2.23
1-1/2" IPS	0.98	2.55	2.00
2" IPS	0.99	3.28	2.23
3" IPS	1.19	5.05	3.05
4" IPS	1.31	6.46	3.97

### (PE2406/PE2708) SOCKET CAPS

Main Size	Part Number	Pack. Qty.	Wt.	CSA	IAPMO
1/2" CTS	690622200000	100	0.03	YES	YES
1/2" IPS	690502200000	100	0.03	YES	YES
3/4" IPS	690752200000	100	0.04	YES	YES
1" CTS	690112200000	100	0.04	YES	YES
1" IPS	690012200000	100	0.09	YES	YES
1-1/4" IPS	690122200000	100	0.15	YES	YES
1-1/2" IPS	690152200000	100	0.17	-	YES
2" IPS	690022200000	100	0.29	YES	YES
3" IPS	690032200000	10	1.10	YES	YES
4" IPS	690042200000	10	2.35	YES	YES



The Right Connection

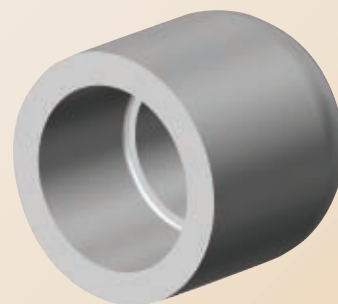
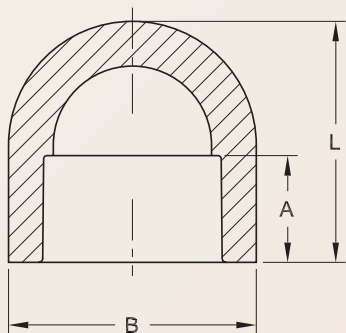
Call for availability of other sizes and dimensions.

**1-800-654-3872**

**1-405-273-6302**

[www.centralplastics.com](http://www.centralplastics.com)

## Socket Fittings: End Caps



### SOCKET END CAP DIMENSIONS

Nominal Size	A	B	L
1/2" CTS	0.67	1.09	1.32
1/2" IPS	0.66	1.23	1.37
3/4" IPS	0.74	1.45	1.56
1" CTS	0.98	1.46	1.82
1" IPS	0.78	1.83	1.78
1-1/4" IPS	0.98	2.28	2.23
1-1/2" IPS	0.98	2.55	2.00
2" IPS	0.99	3.28	2.23
3" IPS	1.19	5.05	3.05
4" IPS	1.31	6.46	3.97

### (PE 3408/PE4710) SOCKET CAPS

Main Size	Part Number	Pack. Qty.	Wt.	AWWA
1/2" CTS	10005369	100	0.03	YES
3/4" IPS	10005371	100	0.05	YES
1" IPS	10005372	100	0.08	YES
1-1/4" IPS	10005373	100	0.16	YES
1-1/2" IPS	10005374	100	0.17	YES
2" IPS	10005375	100	0.30	YES
3" IPS	10005376	10	1.12	YES



The connection since 1955<sup>®</sup>

The Right Connection

Call for availability of other sizes and dimensions.

**1-800-654-3872**

**1-405-273-6302**

[www.centralplastics.com](http://www.centralplastics.com)