



P820 Series Flanges P830 Rubber Gaskets

BODY MATERIALS: PVC, CPVC
SIZES: 2" - 12"
 ANSI CLASS 150#
 Slip Ring Flanges.

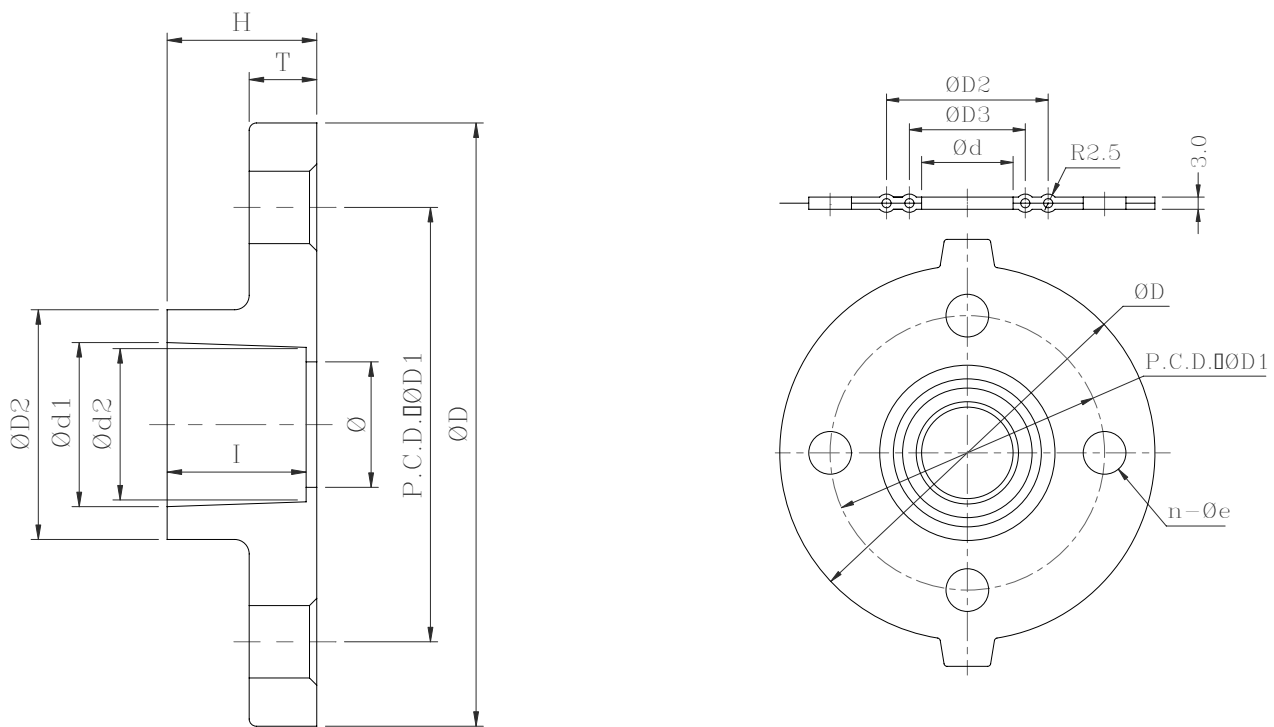
GASKET MATERIALS: EPDM
SIZES: 1/2" - 12"

Flanges	Style	Body
P820VS	Van Stone	Schd 80 PVC
P820CVS	Van Stone	CPVC

Gaskets	Body
P830	EPDM
P830V	VITON



SIZE	15mm	20mm	25mm	32mm	40mm	50mm	65mm	80mm	100mm	125mm	150mm	200mm	250mm	300mm
Nom.	(1/2")	(3/4")	(1")	(1-1/4")	(1-1/2")	(2")	(2-1/2")	(3")	(4")	(5")	(6")	(8")	(10")	(12")
D3	25.4	33.02	38.1	50.8	53.34	68.58	86.36	99.06	119.38	144.78	167.64	215.9	269.24	325.2
D2	40.64	48.26	53.34	66.04	68.55	83.82	101.6	111.76	137.16	165.1	190.5	246.38	307.34	353.06
D1	60.45	70.1	79.5	88.9	98.55	120.65	139.7	152.4	190.5	215.9	241.3	298.45	361.95	431.8
D	86.36	96.52	106.68	114.3	124.4	149.86	175.2	187.96	226.06	251.46	276.86	340.36	403.86	480.06
d	17.78	22.86	30.48	38.1	43.18	53.34	68.58	81.28	101.6	127	148.86	198.12	248.92	299.72
n-Øe	16-4	16-4	16-4	16-4	16-4	19-4	19-4	19-4	19-8	22-8	22-8	22-8	25-12	25-12



Nom./ SIZE	15 mm (1/2")	20 mm (3/4")	25 mm (1")	30 mm (1 1/4")	40 mm (1 1/2")	50 mm (2")	65 mm (2 1/2")	80 mm (3")	100 mm (4")
D	89	98	108	117	127	152	178	191	229
D1	61	70	79	89	98	121	140	152	191
D2	33	40	48	57	65	78	92	109	139
d	15	25	31	40	46	57.5	70	78	111.5
d1	21.54	26.87	33.65	42.42	48.56	60.63	73.38	89.31	114.76
d2	21.23	26.57	33.27	42.04	48.11	60.17	72.85	88.7	114.07
H	25	29	31.7	35	38	41.3	47.6	50.8	61
T	11.1	12.7	14.3	16	17.5	19.1	23.8	25.4	28.6
I	22.22	25.4	28.58	31.75	34.93	38.1	44.45	47.63	57.15
n-Øe	4-16	4-16	4-16	4-16	4-16	4-19	4-19	4-19	8-19

AMERICAN VALVE STATEMENT OF WARRANTY & LIMITATION OF WARRANTY

American Valve warrants, to its initial purchaser only, that its products which are delivered to this initial purchaser will be the kind described in the order or price list and will be free of defects in workmanship or material for a period of one year from the date of delivery to you, our initial purchaser.

Should any failure to conform to this warranty appear within one year after the date of the initial delivery to our initial purchaser, American Valve will, upon written notification thereof and substantiation that the goods have been stored, installed, maintained and operated in accordance with American Valve's recommendation and standard industry practice, correct such defects by suitable repair or replacement at American Valve's own expense. If any valve alleged to be defective, is returned to our factory at Greensboro, NC, it will be examined and, if found to be defective under the warranty, it will be replaced at no charge.

THIS WARRANTY IS EXCLUSIVE AND IS IN LIEU OF ANY IMPLIED WARRANTY OF MERCHANTABILITY, FITNESS FOR A PARTICULAR PURPOSE OR OTHER WARRANTY OF QUALITY, WHETHER EXPRESS OR IMPLIED, EXCEPT THE WARRANTY OF TITLE AND AGAINST PATENT INFRINGEMENT. Correction of non-conformities, in the manner and for the period of time provided above, shall constitute fulfillment of all liabilities of American Valve to our initial purchaser, with respect to the goods, whether based on contract, negligence, strict tort or otherwise, it is the intention of American Valve that no warranty of any kind, whether express or implied, shall pass through our initial purchaser to any other person or corporation.

LIMITATION OF LIABILITY: American Valve SHALL NOT UNDER ANY CIRCUMSTANCES BE LIABLE FOR SPECIAL OR CONSEQUENTIAL DAMAGES SUCH AS, BUT NOT LIMITED TO, DAMAGES OR LOSS OF OTHER PROPERTY OR EQUIPMENT, LOSS OF PROFITS, OR REVENUE, COST OF CAPITAL, COST OF PURCHASED OR REPLACEMENT GOODS, OR CLAIMS OF CUSTOMERS OF OUR INITIAL PURCHASER. THE REMEDIES OF OUR INITIAL PURCHASER, AND ALL OTHERS, SET FORTH HEREIN ARE EXCLUSIVE, AND THE LIABILITY OF AMERICAN VALVE WITH RESPECT TO SAME SHALL NOT, EXCEPT AS EXPRESSLY PROVIDED HEREIN, EXCEED THE PRICE OF GOODS UPON WHICH SUCH LIABILITY IS BASED.



P.O. Box 35229
Greensboro, NC 27425
Phone: 1-800-645-0101
Fax: 1-800-876-0109
<http://www.AmericanValve.com>