



P21 Series Butterfly Valves Sizes 2" - 6" With Handle

BODY MATERIALS: PVC, PVDF

SIZES: 2" - 6"

STYLE: Wafer

SEAT: EPDM or FPM (VITON)

TEST PRESSURE: 225 PSI

WORKING PRESSURE: 150 PSI

Butterfly Valve	Body	Seats
P21	Schd 80 PVC	EPDM
P21V	Schd 80 PVC	VITON

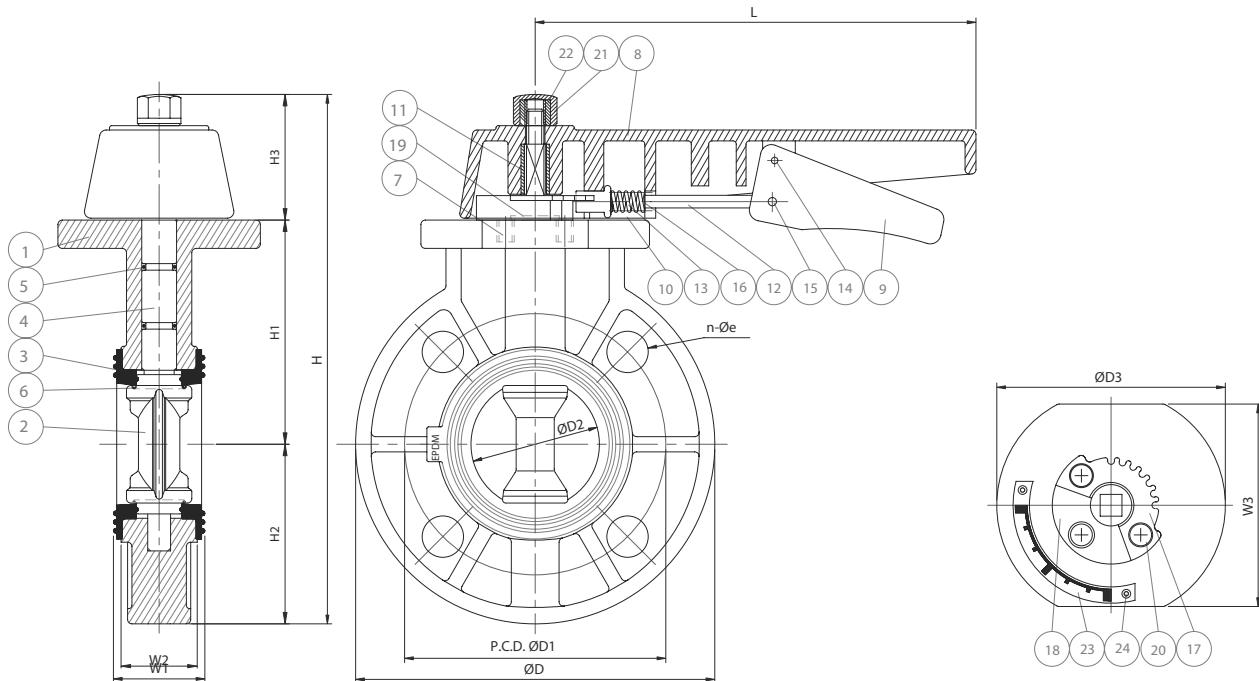
Also Available: CPVC, PP, PVDF body materials.



- Corrosion resistant.
- Excellent flow characteristics.
- Lower flow restriction.
- Compact and lightweight design for energy saving and cost-efficient operation.
- Handle gives clear indication of disc position.
- Ideally suited for applications with minimal piping space.

SIZE	50mm	65mm	80mm	100mm	125mm	150mm	
Nom.	(2")	(2-1/2")	(3")	(4")	(5")	(6")	
D	165	185	201	229	257	285	
D1	ANSI	121	140	152	191	216	241
	JIS	120	140	150	175	210	240
	DIN	125	145	160	180	210	240
D2	56.5	69.5	79.5	102.5	131	154	
D3	105	120	123	135	164	169	
L	199	199	199	254	297	297	
H	248.5	267.5	277	316	373.5	404.5	
H1	103	113	115	135.5	165	177	
W1	43	46	46	65	69	70.5	
W2	35	36	36	47	57	62	
W3	94	94	94	100	110	100	
n-Øe	ANSI	19-4	19-4	19-4	19-8	22-8	22-8
	JIS	19-4	19-4	19-8	19-8	23-8	23-8
	DIN	18-4	19-4	18-8	18-8	18-8	22-8
H2	82.5	92.5	100	114.5	128.5	142.5	
H3	63	62	62	66	80	83	

NO.	PART	MATERIAL	QTY
1	BODY	PVC, PP, PVDF, CPVC	1
2	DISC	PP, PVDF, CPVC	1
3	SEAT SEAL	EPDM, FPM	1
4	STEM	SUS 410 / 304 / 316	1
5	"O"-RING	EPDM, FPM	2
6	"O"-RING	EPDM, FPM	2
7	INSERTED NUT	SS 41	3
8	LARGE HANDLE	ABS	1
9	SMALL HANDLE	ABS	1
10	SPRING LOC	ABS	1
11	HANDLE INSERT	STAINLESS STEEL	1
12	HANDLE LEVER	SUS 304	1
13	SPRING	SUS 304	1
14	SPRING PIN	SUS 304	1
15	SPRING PIN	SUS 304	1
16	WASHER	SUS 304	1
17	LOCKING PLATE	SUS 304	1
18	GEAR SEAT	PP+GF	1
19	WASHER	SUS 304	1
20	BOLT	SUS 304	3
21	NUT	PVC, PVDF	1
22	INSERT NUT	C3604	1
23	LEVEL	SUS 304	1
24	RIVER	STAINLESS STEEL	2



AMERICAN VALVE STATEMENT OF WARRANTY & LIMITATION OF WARRANTY

American Valve warrants, to its initial purchaser only, that its products which are delivered to this initial purchaser will be the kind described in the order or price list and will be free of defects in workmanship or material for a period of one year from the date of delivery to you, our initial purchaser.

Should any failure to conform to this warranty appear within one year after the date of the initial delivery to our initial purchaser, American Valve will, upon written notification thereof and substantiation that the goods have been stored, installed, maintained and operated in accordance with American Valve's recommendation and standard industry practice, correct such defects by suitable repair or replacement at American Valve's own expense. If any valve alleged to be defective, is returned to our factory at Greensboro, NC, it will be examined and, if found to be defective under the warranty, it will be replaced at no charge.

THIS WARRANTY IS EXCLUSIVE AND IS IN LIEU OF ANY IMPLIED WARRANTY OF MERCHANTABILITY, FITNESS FOR A PARTICULAR PURPOSE OR OTHER WARRANTY OF QUALITY, WHETHER EXPRESS OR IMPLIED, EXCEPT THE WARRANTY OF TITLE AND AGAINST PATENT INFRINGEMENT. Correction of non-conformities, in the manner and for the period of time provided above, shall constitute fulfillment of all liabilities of American Valve to our initial purchaser, with respect to the goods, whether based on contract, negligence, strict tort or otherwise, it is the intention of American Valve that no warranty of any kind, whether express or implied, shall pass through our initial purchaser to any other person or corporation.

LIMITATION OF LIABILITY: American Valve SHALL NOT UNDER ANY CIRCUMSTANCES BE LIABLE FOR SPECIAL OR CONSEQUENTIAL DAMAGES SUCH AS, BUT NOT LIMITED TO, DAMAGES OR LOSS OF OTHER PROPERTY OR EQUIPMENT, LOSS OF PROFITS, OR REVENUE, COST OF CAPITAL, COST OF PURCHASED OR REPLACEMENT GOODS, OR CLAIMS OF CUSTOMERS OF OUR INITIAL PURCHASER. THE REMEDIES OF OUR INITIAL PURCHASER, AND ALL OTHERS, SET FORTH HEREIN ARE EXCLUSIVE, AND THE LIABILITY OF AMERICAN VALVE WITH RESPECT TO SAME SHALL NOT, EXCEPT AS EXPRESSLY PROVIDED HEREIN, EXCEED THE PRICE OF GOODS UPON WHICH SUCH LIABILITY IS BASED.



P.O. Box 35229
Greensboro, NC 27425
Phone: 1-800-645-0101
Fax: 1-800-876-0109
<http://www.AmericanValve.com>