



P200U True Union Ball Valves

BODY MATERIALS: PVC, CPVC, or PVDF

SIZES: 1/2" - 4"

END TYPES: Threaded, Socket, or Flanged

- 100% Full Port Opening
- Working Pressure: 150 PSI
- Test Pressure: 225 PSI
- Vacuum Rated

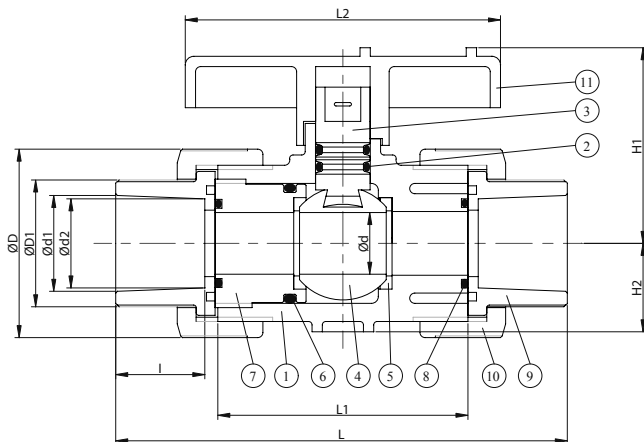
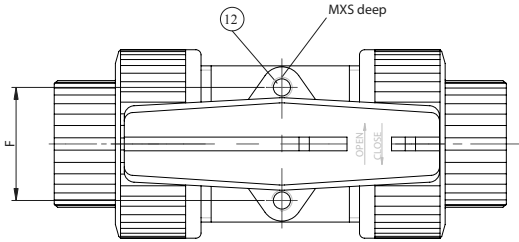
True Union Ball Valves	Body	Ends	Seats	Seals
P200U	Schd 80 PVC	*	PTFE	EPDM
P200U-40	Schd 40 PVC	*	PTFE	EPDM
P200UV	Schd 80 PVC	*	PTFE	VITON
P200UC	CPVC	*	PTFE	EPDM
P200UP	PVDF	IPS	PTFE	VITON
P200F	Schd 80 PVC	Flanged	PTFE	EPDM
P200FC	CPVC	Flanged	PTFE	EPDM

* 1/2" to 2" supplied with both IPS and socket unions in box. 2 1/2" to 4" supplied with socket ends as standard- IPS unions available upon request.



- Two-way blocking true union valve— seals in both directions.
- Unique double union / double block design permits in-line maintenance without disconnecting pipe.
- Full, unobstructed flow without any turbulence or pressure drop.
- VITON or EPDM O-Ring seals and self-lubricating Teflon seats are corrosion resistant and resistant to most chemicals.
- External adjustment allows compensation for seat wear.
- Quick and easy disassembly without the use of special tools- Handle doubles as a wrench.
- Built-in actuator mounting pad.

SIZE		15mm	20mm	25mm	32mm	40mm	50mm	65mm	80mm	100mm
Nom.		(1/2")	(3/4")	(1")	(1-1/4")	(1-1/2")	(2")	(2-1/2")	(3")	(4")
thd./in	NPT	14	14	11.5	11.5	11.5	11.5	8	8	11.5
	PT	14	14	11	11	11	11	11	11	11
JIS	l	22.22	25.4	28.6	31.8	34.9	38.1	44.45	63	69
	d1	22.3	26.3	32.33	38.43	48.46	60.56	76.6	89.6	114.7
	d2	21.7	25.7	31.67	37.57	47.54	59.44	75.87	88.83	113.98
ANSI	l	22.22	25.4	28.58	31.75	34.93	38.1	44.45	47.63	57.15
	d1	21.54	26.87	33.65	42.42	48.56	60.63	73.38	89.31	114.76
	d2	21.23	26.57	33.27	42.04	48.11	60.17	72.85	88.7	114.07
BS	l	16.5	19.5	22.5	27	30	36	-	-	-
	d1	21.5	26.9	33.7	42.4	48.4	60.5	-	-	-
	d2	21.3	26.7	33.5	42.2	48.2	60.3	-	-	-
DIN	l	1 6	1 9	22	26	31	38	44	51	61
	d1	20.3	25.3	32.3	40.3	50.3	63.3	75.3	90.3	110.4
	d2	20.1	25.1	32.1	40.1	50.1	63.1	75.1	90.1	110.1
d	1 3	1 8	23	30	38	48	61	69	99	
D	4 5	5 5	66	82	98	120	140	160	225	
D1	31	37	44	54	65	79	92	108	146	
L	1 12	132	144	165	171	200	273	303	326	
L1	60	73	78	87	92	112	136	158	176	
L2	78	92	100	110	121	147	180	224	278	
H1	48	57	66	76	88	108	116	130	178	
H2	20.5	26	33	38	42	53	-	-	-	
F	3 0	3 3	40	47	52	70	-	-	-	
M	M 5	M 6	M6	M8	M8	M8	-	-	-	
S	7	8	11	11	11	15	-	-	-	



NO.	PART	MATERIAL	QTY
1	BODY	UPVC,CPVC,PP,PVDF,ABS	1
2	STEM O-RING	EPDM,FPM	2
3	STEM	UPVC,CPVC,PP,PVDF,ABS	1
4	BALL	UPVC,CPVC,PP,PVDF,ABS	1
5	SEAT SEAL	PTFE	2
6	CARRIER O-RING	EPDM,FPM	1
7	SEAL CARRIER	UPVC,CPVC,PP,PVDF,ABS	1
8	UNION O-RING	EPDM,FPM	2
9	END CONNECTOR	UPVC,CPVC,PP,PVDF,ABS	2
10	UNION NUT	UPVC,CPVC,PP,PVDF,ABS	2
11	HANDLE	ABS,PP	1
12	INSERTED NUT	C 3604	2.4

AMERICAN VALVE STATEMENT OF WARRANTY & LIMITATION OF WARRANTY

American Valve warrants, to its initial purchaser only, that its products which are delivered to this initial purchaser will be the kind described in the order or price list and will be free of defects in workmanship or material for a period of one year from the date of delivery to you, our initial purchaser.

Should any failure to conform to this warranty appear within one year after the date of the initial delivery to our initial purchaser, American Valve will, upon written notification thereof and substantiation that the goods have been stored, installed, maintained and operated in accordance with American Valve's recommendation and standard industry practice, correct such defects by suitable repair or replacement at American Valve's own expense. If any valve alleged to be defective, is returned to our factory at Greensboro, NC, it will be examined and, if found to be defective under the warranty, it will be replaced at no charge.

THIS WARRANTY IS EXCLUSIVE AND IS IN LIEU OF ANY IMPLIED WARRANTY OF MERCHANTABILITY, FITNESS FOR A PARTICULAR PURPOSE OR OTHER WARRANTY OF QUALITY, WHETHER EXPRESS OR IMPLIED, EXCEPT THE WARRANTY OF TITLE AND AGAINST PATENT INFRINGEMENT. Correction of non-conformities, in the manner and for the period of time provided above, shall constitute fulfillment of all liabilities of American Valve to our initial purchaser, with respect to the goods, whether based on contract, negligence, strict tort or otherwise, it is the intention of American Valve that no warranty of any kind, whether express or implied, shall pass through our initial purchaser to any other person or corporation.

LIMITATION OF LIABILITY: American Valve SHALL NOT UNDER ANY CIRCUMSTANCES BE LIABLE FOR SPECIAL OR CONSEQUENTIAL DAMAGES SUCH AS, BUT NOT LIMITED TO, DAMAGES OR LOSS OF OTHER PROPERTY OR EQUIPMENT, LOSS OF PROFITS, OR REVENUE, COST OF CAPITAL, COST OF PURCHASED OR REPLACEMENT GOODS, OR CLAIMS OF CUSTOMERS OF OUR INITIAL PURCHASER. THE REMEDIES OF OUR INITIAL PURCHASER, AND ALL OTHERS, SET FORTH HEREIN ARE EXCLUSIVE, AND THE LIABILITY OF AMERICAN VALVE WITH RESPECT TO SAME SHALL NOT, EXCEPT AS EXPRESSLY PROVIDED HEREIN, EXCEED THE PRICE OF GOODS UPON WHICH SUCH LIABILITY IS BASED.



P.O. Box 35229
Greensboro, NC 27425
Phone: 1-800-645-0101
Fax: 1-800-876-0109
<http://www.AmericanValve.com>