



# P200SU Single Union Ball Valves

**BODY MATERIALS:** PVC, CPVC, or PVDF

**SIZES:** 1/2" - 2"

**END TYPES:** Threaded, Socket

**SEAT:** PTFE (TEFLON)

**"O"-RING:** EPDM or FPM (VITON)

**TEST PRESSURE:** 225 PSI

**WORKING PRESSURE:** 150 PSI

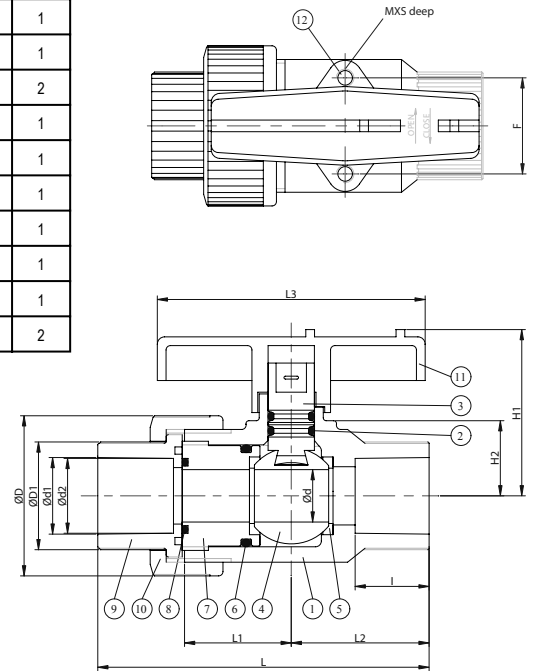
Single Union Ball Valves	Body	Ends	Seats	Seals
P200SU	Schd 80 PVC	IPS	PTFE	EPDM
P200SUS	Schd 80 PVC	Socket	PTFE	EPDM
P200SUC	CPVC	IPS	PTFE	EPDM
P200SUE	Schd 40 PVC	Socket	PTFE	EPDM



- Full port ball gives minium pressure drop.
- VITON or EPDM O-Ring seals and self-lubricating Teflon seats are corrosion resistant and resistant to most chemicals.
- Compact-fits in tight spaces.
- One-way blocking union ball valve.
- Easy manual operation.

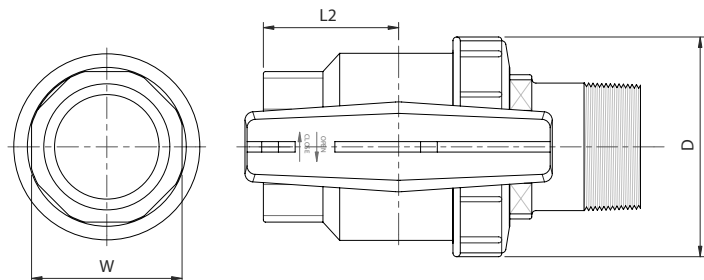
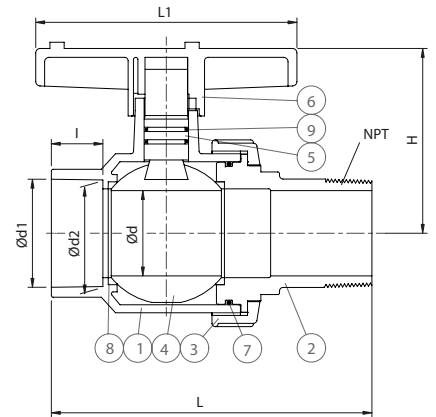
SIZE		15mm	20mm	25mm	32mm	40mm	50mm
Nom.		(1/2")	(3/4")	(1")	(1-1/4")	(1-1/2")	(2")
thd./	NPT	14	14	11.5	11.5	11.5	11.5
in	PT	14	14	11	11	11	11
JIS	I	22.22	25.4	28.6	31.8	34.9	38.1
	d1	22.3	26.3	32.33	38.43	48.46	60.56
	d2	21.7	25.7	31.67	37.57	47.54	59.44
ANSI	I	22.22	25.4	28.58	31.75	34.93	38.1
	d1	21.54	26.87	33.65	42.42	48.56	60.63
	d2	21.23	26.57	33.27	42.04	48.11	60.17
d		13	18	23	30	38	48
D		45	55	66	81	96	119
D1		31	37	44	54	65	78
L		96	112	122	140	150	183
L1		30	37	39	44	46	56
L2		41	47	51	57	65	83
L3		78	92	100	110	121	147
H1		48	58	65	76	88	108
H2		20.5	26	33	38	40	51
F		30	33	40	47	52	70
M		M5	M6	M6	M8	M8	M8
S		7	8	11	11	11	15

NO.	PART	MATERIAL	Q'TY
1	BODY	UPVC	1
2	STEM O-RING	EPDM,FPM	2
3	STEM	UPVC	1
4	BALL	UPVC	1
5	SEAT SEAL	PTFE	2
6	CARRIER O-RING	EPDM,FPM	1
7	SEAL CARRIER	UPVC	1
8	UNION O-RING	EPDM,FPM	1
9	END CONNECTOR	UPVC	1
10	UNION NUT	UPVC	1
11	HANDLE	ABS	1
12	INSERTED NUT	C3604	2



SIZE		40mm	50mm
Nom.		(1-1/2")	(2")
thd./in.	NPT	11.5	11.5
	BSPT	11	11
DIN	d1	50.3	63.3
	d2	50.1	63.1
BS	d1	48.4	60.5
	d2	48.2	60.3
ANSI	d1	48.56	60.63
	d2	48.11	60.17
JIS	d1	48.7	60.8
	d2	47.76	59.77
d		38.5	48
D		87.5	105
L		168	180
L1		121	147
L2		56.5	64.7
H		85	104
W		60	70
I		27.79	29.46
NPT thd./in		11.5	11.5

NO.	PART	MATERIAL	Q'TY
1	BODY	UPVC, PP+GF, ABS+PC	1
2	BODY CAP	UPVC, PP+GF, ABS+PC	1
3	UNION NUT	UPVC, PP+GF, ABS+PC	1
4	BALL	UPVC, PP+GF, ABS+PC	1
5	STEM	UPVC, PP+GF, ABS+PC	1
6	HANDLE	ABS	1
7	UNION O-RING	EPDM, FPM	1
8	SEAT SEAL	EPDM, FPM	2
9	STEM O-RING	EPDM, FPM	2



## AMERICAN VALVE STATEMENT OF WARRANTY & LIMITATION OF WARRANTY

American Valve warrants, to its initial purchaser only, that its products which are delivered to this initial purchaser will be the kind described in the order or price list and will be free of defects in workmanship or material for a period of one year from the date of delivery to you, our initial purchaser.

Should any failure to conform to this warranty appear within one year after the date of the initial delivery to our initial purchaser, American Valve will, upon written notification thereof and substantiation that the goods have been stored, installed, maintained and operated in accordance with American Valve's recommendation and standard industry practice, correct such defects by suitable repair or replacement at American Valve's own expense. If any valve alleged to be defective, is returned to our factory at Greensboro, NC, it will be examined and, if found to be defective under the warranty, it will be replaced at no charge.

THIS WARRANTY IS EXCLUSIVE AND IS IN LIEU OF ANY IMPLIED WARRANTY OF MERCHANTABILITY, FITNESS FOR A PARTICULAR PURPOSE OR OTHER WARRANTY OF QUALITY, WHETHER EXPRESS OR IMPLIED, EXCEPT THE WARRANTY OF TITLE AND AGAINST PATENT INFRINGEMENT. Correction of non-conformities, in the manner and for the period of time provided above, shall constitute fulfillment of all liabilities of American Valve to our initial purchaser, with respect to the goods, whether based on contract, negligence, strict tort or otherwise, it is the intention of American Valve that no warranty of any kind, whether express or implied, shall pass through our initial purchaser to any other person or corporation.

LIMITATION OF LIABILITY: American Valve SHALL NOT UNDER ANY CIRCUMSTANCES BE LIABLE FOR SPECIAL OR CONSEQUENTIAL DAMAGES SUCH AS, BUT NOT LIMITED TO, DAMAGES OR LOSS OF OTHER PROPERTY OR EQUIPMENT, LOSS OF PROFITS, OR REVENUE, COST OF CAPITAL, COST OF PURCHASED OR REPLACEMENT GOODS, OR CLAIMS OF CUSTOMERS OF OUR INITIAL PURCHASER. THE REMEDIES OF OUR INITIAL PURCHASER, AND ALL OTHERS, SET FORTH HEREIN ARE EXCLUSIVE, AND THE LIABILITY OF AMERICAN VALVE WITH RESPECT TO SAME SHALL NOT, EXCEPT AS EXPRESSLY PROVIDED HEREIN, EXCEED THE PRICE OF GOODS UPON WHICH SUCH LIABILITY IS BASED.



**P.O. Box 35229**  
**Greensboro, NC 27425**  
**Phone: 1-800-645-0101**  
**Fax: 1-800-876-0109**  
**<http://www.AmericanValve.com>**