

SALES & ENGINEERING DATA

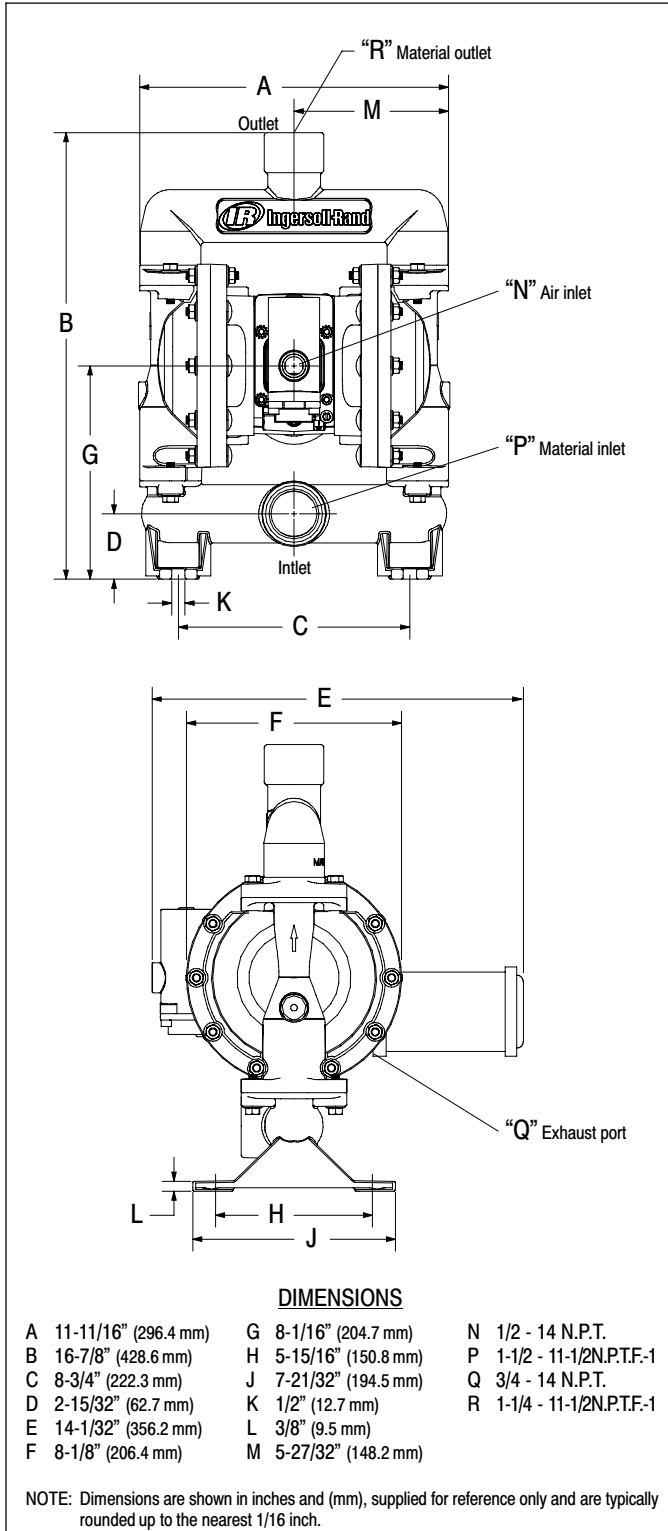
RATIO SERIES: **1:1**

FLUID P.S.I. RANGE: **20 - 120**

PW10A-AAX-XXX 1" METALLIC DIAPHRAGM PUMP

RELEASED: 2-13-06
REVISED:
(REV. 01) S-1308

DIMENSIONAL DATA



SPECIFICATIONS

CONSTRUCTION

Model Series	PW10A-AAX-XXX
Pump Type	Metallic, Air Operated, Double Diaphragm
Ratio	1:1
Material Inlet (female)	1-1/2 - 11-1/2 N.P.T.F. - 1
Material Outlet (female)	1-1/4 - 11-1/2 N.P.T.F. - 1
Air Inlet (female)	1/2 - 14 N.P.T.
Air Exhaust (female)	3/4 - 14 N.P.T.
Weight	26.2 lbs (11.9 kgs)
Air Section Service Kit	637397
Fluid Section Service Kit	637401-XX

PW10A-AAX-X
637433 -
Diaphragm Material
Ball Material

EXAMPLE: Model # PW10A-AAP-AAA
Fluid Section Service Kit is 637401-AA

PERFORMANCE

Air Inlet Pressure Range	20 - 120 p.s.i. (1.4 - 8.3 bar)
Maximum Material Inlet Pressure	10 p.s.i. (0.69 bar)
Fluid Pressure Range	20 - 120 p.s.i. (1.4 - 8.3 bar)
Maximum Flow Rate	60.0 g.p.m. (227.1 l.p.m.)
Displacement / Cycle @ 100 p.s.i.	0.234 gal. (0.89 lit.)
Maximum Particle Size	1/8" dia. (3.3 mm)
Maximum Temperature Limits (diaphragm / ball / seal material)	
E.P.R. / EPDM	-60° to 280° F (-51° to 138° C)
Hytrel®	-20° to 150° F (-29° to 66° C)
Nitrile	10° to 180° F (-12° to 82° C)
Santoprene®	-40° to 225° F (-40° to 107° C)
T.F.E. (Teflon®)	40° to 225° F (4° to 107° C)
Viton®	-40° to 350° F (-40° to 177° C)
Noise Level @ 70 p.s.i. - 60 c.p.m.	80.6 db(A) ^①

① The pump sound pressure level has been updated to an Equivalent Continuous Sound Level (L_{Aeq}) to meet the intent of ANSI S1. 13-1971, CAGI-PNEUROPS S5.1 using four microphone locations.

ACCESSORIES:

66073-2 Air Line Connection Kit

PERFORMANCE CURVES

PW10A-AAX-XXX 1" METALLIC DIAPHRAGM PUMP

