

SALES & ENGINEERING DATA

RATIO SERIES: **1:1**

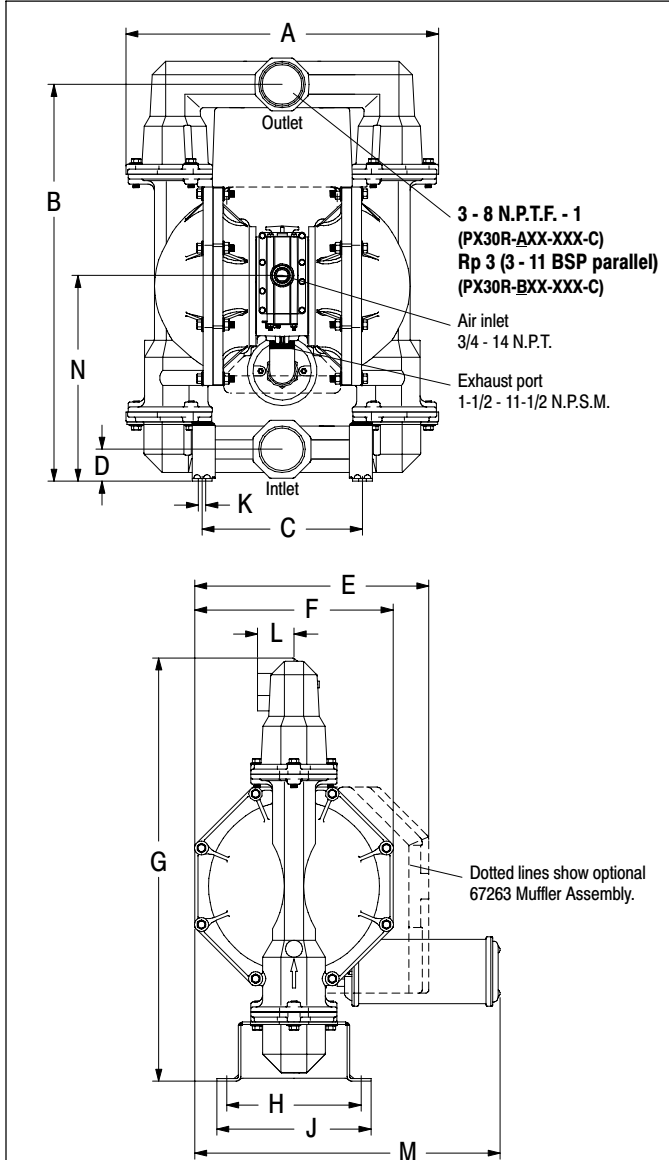
FLUID P.S.I. RANGE: **20 - 120**

PD30R-XXX-XXX-C and PE30R-XXX-XXX-C

3" METALLIC DIAPHRAGM PUMP

RELEASED: 2-4-05
 REVISED: 3-2-07
 (REV. 04) S-1341

DIMENSIONAL DATA



DIMENSIONS

| | | |
|------------------------|------------------------|-----------------------|
| A see below | F 15" (381 mm) | K 9/16" (14.3 mm) |
| B 30" (761.7 mm) | G 32" (812.5 mm) | L 2-3/4" (69.9 mm) |
| C 12-3/16" (309.6 mm) | H 10-5/32" (258 mm) | M 23-3/32" (586.3 mm) |
| D see below | J 11-11/16" (296.1 mm) | N see below |
| E 17-11/16" (449.2 mm) | | |

| | | | |
|-----------------|--------------------|-------------------|---------------------|
| | "A" | "D" | "N" |
| PX30R-XCX-XXX-C | 23-5/8" (598.7 mm) | 2-7/16" (61.1 mm) | 15-9/16" (394.8 mm) |
| PX30R-XSX-XXX-C | 23-1/8" (587.3 mm) | 2-3/4" (69.9 mm) | 16" (406.4 mm) |

NOTE: Dimensions are shown in inches and (mm) and are supplied for reference only.

SPECIFICATIONS

CONSTRUCTION

| | |
|----------------------------------|--|
| Model Series | PD30R-XXX-XXX-C PE30R-XXX-XXX-C |
| Pump Type | Metallic, Air Operated, Double Diaphragm |
| Ratio | 1:1 |
| Material Inlet / Outlet (female) | |
| PX30R-AXX-XXX-C | 3 - 8 N.P.T.F. - 1 |
| PX30R-BXX-XXX-C | Rp 3 (3 - 11 BSP parallel) |
| Air Inlet (female) | 3/4 - 14 N.P.T. |
| Air Exhaust (female) | 1-1/2 - 11-1/2 N.P.S.M. |
| Weight | |
| PX30R-XCX-XXX-C | 242.3 lbs (109.9 kgs) |
| PX30R-XSX-XXX-C | 253.3 lbs (114.9 kgs) |
| Air Section Service Kit | 637369 |
| Fluid Section Service Kit | 637303-XX |

PX30R-XXX- X X X -C

637303 - X X X

Diaphragm Material
Ball Material

EXAMPLE: Model #PD30R-ASS-SAA-C

Fluid Section Service Kit is 637303-AA

PERFORMANCE

| | |
|---|---------------------------------|
| Air Inlet Pressure Range | 20 - 120 p.s.i. (1.4 - 8.3 bar) |
| Maximum Material Inlet Pressure | 10 p.s.i. (0.69 bar) |
| Fluid Outlet Pressure Range | 20 - 120 p.s.i. (1.4 - 8.3 bar) |
| Maximum Flow Rate | 237 g.p.m. (897 l.p.m.) |
| flooded inlet | 275 g.p.m. (1,041 l.p.m.) |
| Maximum Particle Size | 3/8" dia. (9.5 mm) |
| Maximum Temperature Limits (diaphragm / ball / seat material) | |
| E.P.R. / EPDM | -60° to 280° F (-51° to 138° C) |
| Hytrek | -20° to 150° F (-29° to 66° C) |
| Kynar PVDF | 10° to 200° F (-12° to 93° C) |
| Nitrile | 10° to 180° F (-12° to 82° C) |
| Polypropylene | 35° to 150° F (2° to 66° C) |
| Santoprene | -40° to 225° F (-40° to 107° C) |
| Teflon P.T.F.E. | 40° to 225° F (4° to 107° C) |
| Viton | -40° to 350° F (-40° to 177° C) |
| Displacement / Cycle @ 100 p.s.i. | 2.8 gal. (10.6 lit.) |
| Noise Level @ 70 p.s.i. - 50 c.p.m.① | 83.0 db(A)② |

Notes:

① Tested with 67263 muffer assembly installed.

② The pump sound pressure level has been updated to an Equivalent Continuous Sound Level (L_{Aeq}) to meet the intent of ANSI S1. 13-1971, CAGI-PNEUROPS S5.1 using four microphone locations.

ACCESSORIES:

66109 Air Line Connection Kit
 67263 Continuous Muffer
 94117 Int. Muffer

PERFORMANCE CURVES

PD30R-XXX-XXX-C / PE30R-XXX-XXX-C 3" METALLIC DIAPHRAGM PUMP

