



94A SERIES Full-Port Brass Ball Valve

Job Name:	Contractor:
Job Location:	P.O. Number:
Engineer:	Representative:
Tag:	Wholesale Distributor:

DESCRIPTION

The 94A full port forged ball valves from Apollo International are ideal for a wide range of plumbing, HVAC and gas applications. 100% factory tested, these valves are designed to provide maximum reliability and economy. Designed to MSS SP-110 specifications with CSA, UL, FM and NSF 61 approvals.



FEATURES

- 600 CWP (400 CWP 2-1/2" to 4") Rated
- Full-Port
- Blow-out Proof Stem Design
- Adjustable Stem Packing Nut

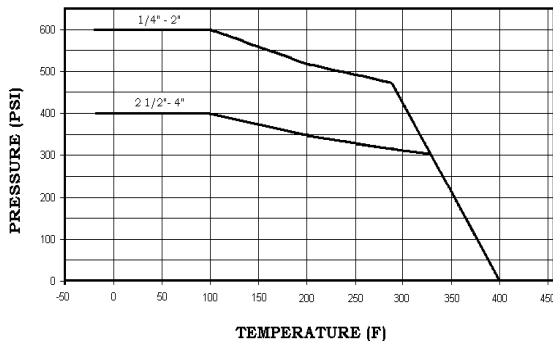
MATERIALS

Part Name	Material
Body	Forged Brass (Cu >57%)
Retainer	Forged Brass (Cu >57%)
Ball	Brass, Cr plated
Stem	Brass, Cr plated
Seat Ring	PTFE
Stem Seal	NBR
Packing Nut	Steel w/corrosion resistant plating
Packing Gland	Brass
Friction Washer	PTFE
Handle	Steel w/corrosion resistant plating
Handle Cover	PVC
Handle Nut	Steel w/corrosion resistant plating

DIMENSIONS

Part No.	Size	A	B	C	D	E	Wt. (lbs.)
NPT							
94A10101	1/4"	0.395	1.746	1.278	3.543	-	0.33
94A10201	3/8"	0.407	1.756	1.278	3.543	-	0.30
94A10301	1/2"	0.583	2.047	1.921	3.543	-	0.44
94A10401	3/4"	0.748	2.362	2.087	3.780	-	0.66
94A10501	1"	0.945	2.756	2.559	4.528	-	1.10
94A10601	1 1/4"	1.260	3.307	2.953	4.528	-	1.57
94A10701	1 1/2"	1.575	3.661	3.346	5.512	-	2.40
94A10801	2"	1.969	4.181	3.681	5.512	-	3.37
94A10901	2 1/2"	2.520	5.378	4.764	8.661	-	7.60
94A10001	3"	2.953	6.039	5.079	8.661	-	9.36
94A10A01	4"	3.898	7.386	5.866	9.606	-	16.85
SWEAT							
94A20301	1/2"	0.583	2.047	1.839	3.543	0.630	0.38
94A20401	3/4"	0.748	2.748	1.996	3.780	0.878	0.64
94A20501	1"	0.945	3.228	2.441	4.528	1.130	0.99
94A20601	1 1/4"	1.260	3.819	2.854	4.528	1.378	1.40
94A20701	1 1/2"	1.575	4.425	3.169	5.512	1.630	2.17
94A20801	2"	1.969	5.315	3.449	5.512	2.130	2.97
94A20901	2 1/2"	2.520	6.283	4.764	8.661	2.630	6.36
94A20001	3"	2.953	7.150	5.079	8.661	3.130	8.32
94A20A01	4"	3.945	9.276	5.866	9.606	4.130	15.78

PERFORMANCE RATING



APPROVALS

CSA: 1/4"-4" NPT per ANSI Z21.15/CGA 9.1 (1/2 psi)

1/4"-4" NPT per ASME B16.44 (5 psi)

1/2"-2" NPT per ASME B16.33 (125 psi)

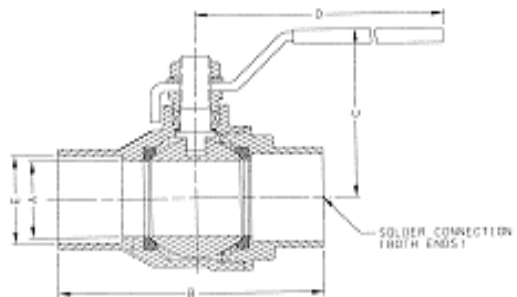
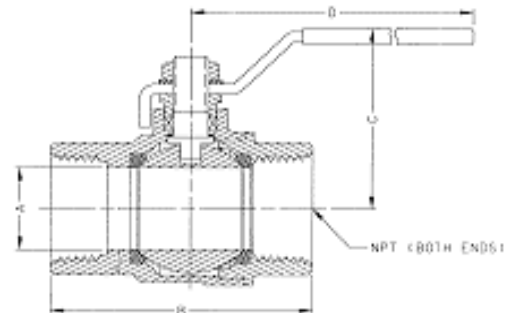
2 1/2"-4" NPT per ASME B16.38 (125 psi)

UL: Guides YQNZ, YRBX, YRPV, and YSDT (NPT only)

FM: 1/4"-2" per FM1140 (<175 psi)

NSF: 1/4"-2" meets ANSI/NSF 61 - 2007

MSS SP-110: Ball Valves Threaded, Socket-Welding, Solder joint, Grooved and Flared Ends



Conbraco Industries, Inc. 701 Matthews Mint Hill Rd. Matthews NC 28106 USA; www.apollovalves.com; 704-841-6000

This specification is provided for reference only. Conbraco reserves the right to change any portion of this specification without notice and without incurring obligation to make such changes to Conbraco products previously or subsequently sold.