



79-700 Series

Full Port Forged Brass Refrigerant Ball Valve

FEATURES

- Bi-directional flow design
- RPTFE seats and seals
- Chromium plated pressure equalizing ball
- Exclusive design rotation stops
- Copper extensions silver brazed to body allows use of Sil-Fos
- Capped, triple sealed stem with metal back up reduces leaks
- Blow-out-proof stem design
- Adjustable packing gland
- Hermetic welded assembly
- Full Port Design

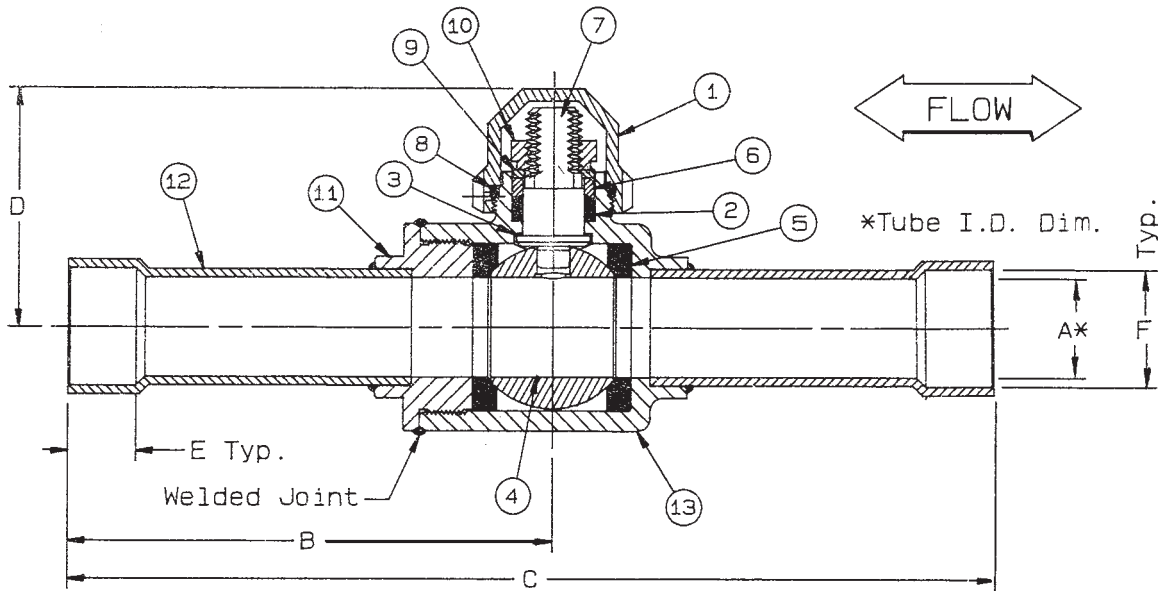


UL LISTINGS

- Guide SFJQ: Valves, Refrigerant

STANDARD MATERIAL LIST

- | | | | |
|------------------|--------------------|--------------------|---------------|
| 1. Cap | B16 | 8. O-Ring | Neoprene |
| 2. Stem packing | RPTFE | 9. Stop Plate | Steel, Plated |
| 3. Stem bearing | RPTFE | 10. Hex nut | B16 |
| 4. Ball | B16, Chrome plated | 11. Retainer | B16 |
| 5. Seat (2) | RPTFE | 12. Tube extension | Copper tubing |
| 6. Packing gland | B16 | 13. Body | Forged brass |
| 7. Stem | B16 | | |



FULL PORT
FORGED BRASS REFRIGERANT BALL VALVE

NUMBER	SIZE	A	B	C	D	E	F	Wt.	Cv	Equivalent Length of tube
79-701-01	3/8"	.32	3.18	6.09	1.55	.38	.38	.94	2.9	10.8
79-702-01	1/2"	.45	3.18	6.09	1.55	.38	.50	.94	5.6	13.3
79-703-01	5/8"	.50	3.43	6.59	1.55	.50	.62	.94	13.1	10.4
79-704-01	7/8"	.75	3.69	7.07	1.83	.75	.87	1.31	31.9	11.2
79-705-01	1-1/8"	1.00	4.20	8.00	2.01	.90	1.12	2.06	68.0	10.7
79-706-01	1-3/8"	1.25	4.54	8.63	2.61	.96	1.38	4.00	109	11.6
79-707-01	1-5/8"	1.50	4.47	8.85	2.79	1.09	1.62	4.25	152	13.2
79-708-01	2-1/8"	2.00	4.84	9.59	3.17	1.34	2.12	6.00	275	15.1
79-709-01	2-5/8"	2.43	5.00	10.00	3.90	1.48	2.62	17.50	349	21.1
79-600-01*	3-1/8"	2.50	7.00	14.00	3.90	1.67	3.13	17.60	391	30.1

* Note: 3-1/8" size is not full port

**For Pressure/Temperature Ratings,
Refer to Page M-13, Graph No. 16**