



# 78-203, 204, 195

## Bronze Ball Valve With Dust Cover And Chain

Solder End x 3/4" Hose Connection.

### FEATURES

- Two piece body
- Reinforced seats
- Securely attached dust cover with chain. (Dust cover cannot be used to contain pressure)
- Blow-out-proof stem design
- Adjustable packing gland

### STANDARD MATERIAL LIST

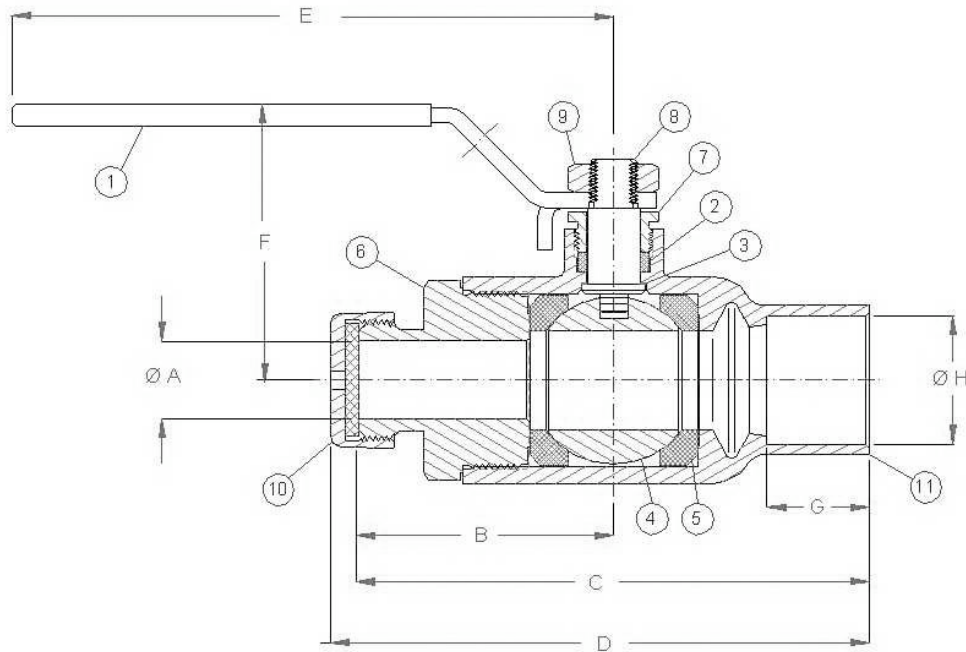
1. Lever and grip	SS/vinyl	7. Gland nut	B16
2. Stem packing	MPTFE	8. Stem	B16
3. Stem bearing	RPTFE	9. Lever nut	SS
4. Ball	B16, chrome plated	10. Dust cover	B16
5. Seat (2)	RPTFE	11. Body	B584-C84400
6. Retainer	B16		

The 78-200 is designed to be soft soldered into lines without disassembly. This allows a tested valve to be installed without disturbing the seats and seals in any way. Soldering temperature not to exceed 500°F.

### VARIATIONS AVAILABLE:

78-283 Series (1/2") (SS Trim)

78-284 Series (3/4") (SS Trim)

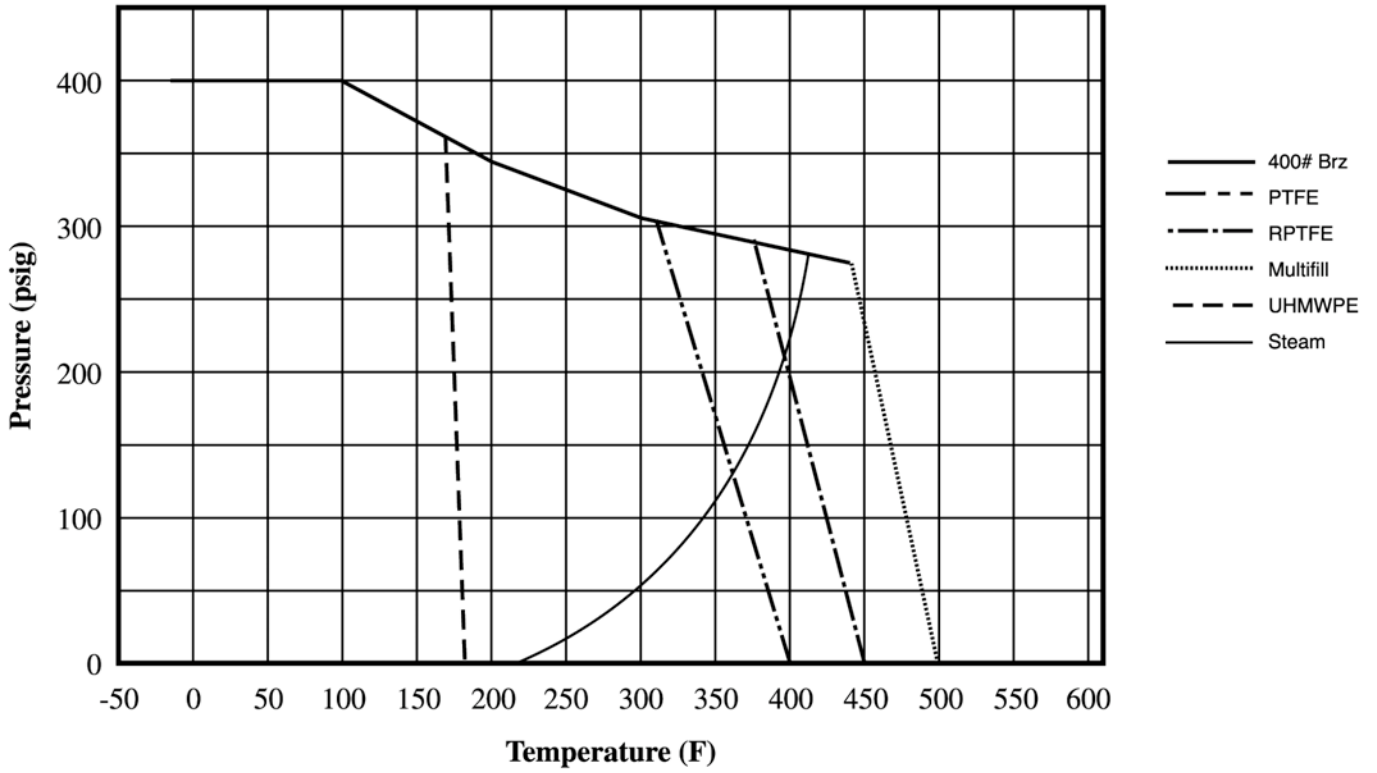


For Pressure/Temperature Ratings, Refer to Page M-8, Graph No. 4

BRONZE BALL VALVE WITH CAP AND CHAIN

NUMBER	SIZE	A	B	C	D	E	F	G	H	Wt.
78-203-01	1/2" Solder x 3/4" Hose	.50	1.68	3.14	3.28	3.89	1.75	.500	.629	.71
78-204-01	3/4" Solder x 3/4" Hose	.68	1.96	3.94	4.09	4.89	2.12	.750	.879	1.44
78-195-01	1" Solder x 3/4" Hose	0.87	2.24	4.49	4.73	5.28	2.43	.900	1.129	2.13

### 400# Bronze P-T Rating (Graph 3)



### 600# Bronze P-T Rating (Graph 4)

