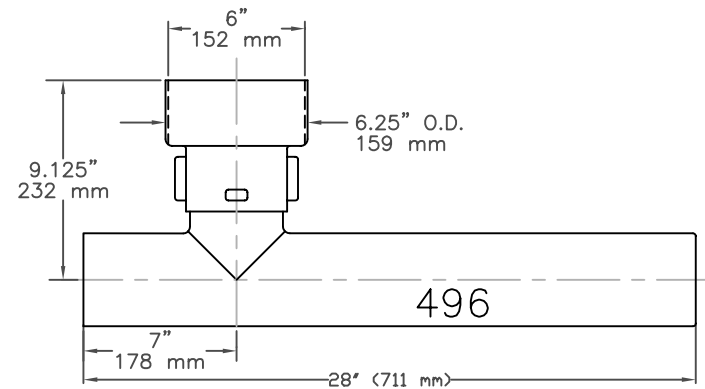
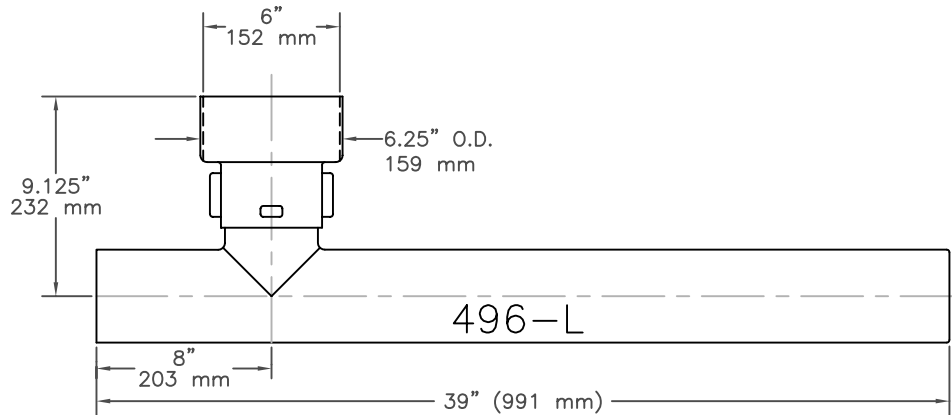
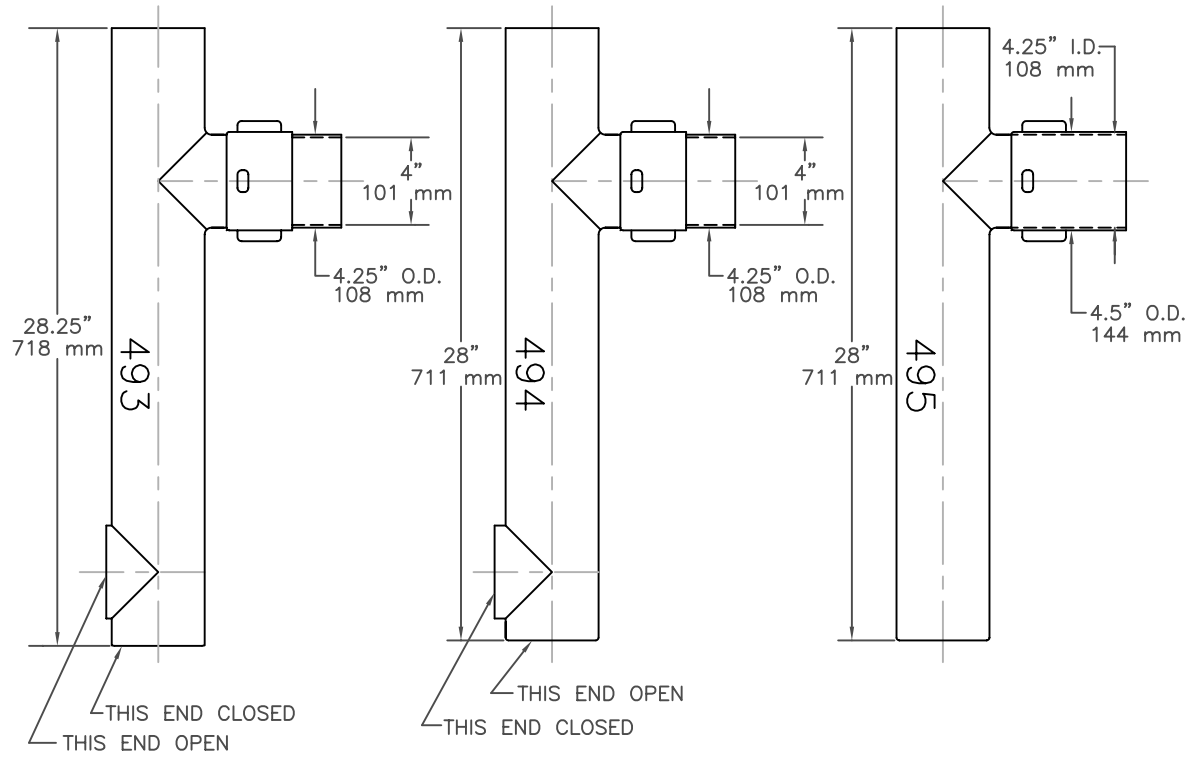



SEPTIC TANK TEES



NOTE: ALL DIMENSIONS ARE NOMINAL

			REVISIONS		
			BY	DATE	
DRAWN BY JDP	07.25.02	APPROVED BY AWM	10.06.02	DRAWING # 6030	