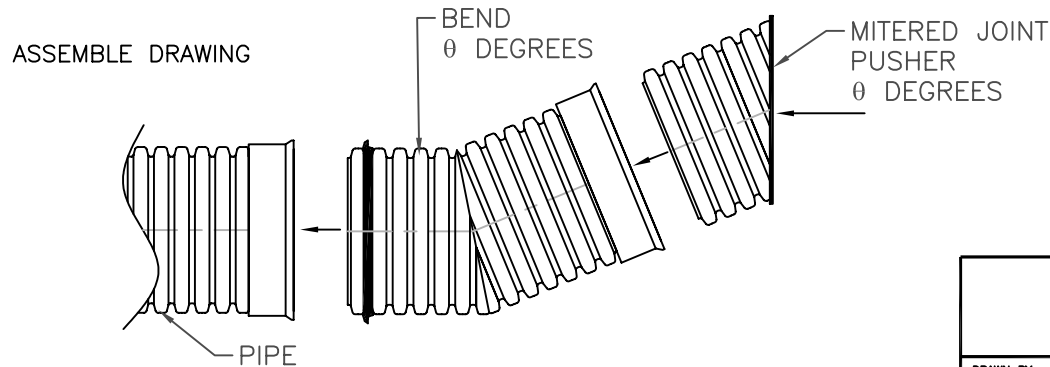
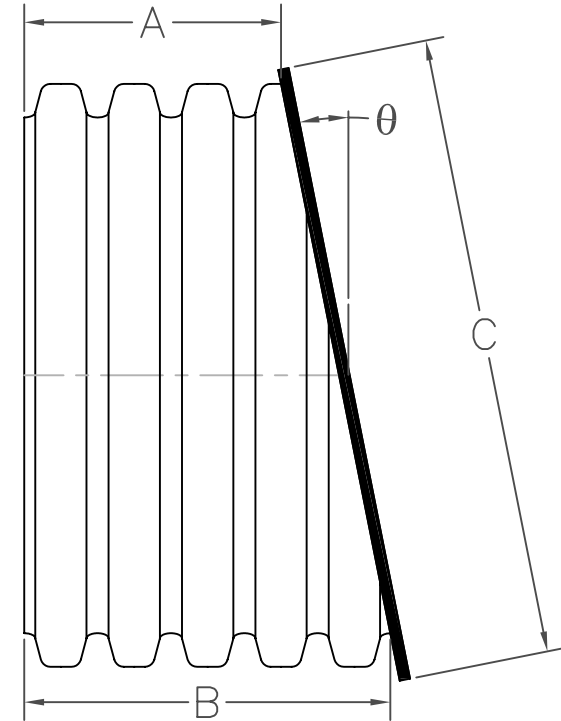


N-12 MITERED JOINT PUSHER
MITERED JOINT PUSHER

PART #	PIPE SIZE	A	B	C	θ
2408ANMP03	24 in (600 mm)	11.03 in (280 mm)	12.48 in (317 mm)	28.84 in (733 mm)	3
3008ANMP03	30 in (750 mm)	14.42 in (366 mm)	16.26 in (413 mm)	36.15 in (918 mm)	3
3608ANMP03	36 in (900 mm)	18.36 in (466 mm)	20.56 in (522 mm)	42.76 in (1086 mm)	3
2408ANMP05	24 in (600 mm)	11.03 in (280 mm)	13.46 in (342 mm)	28.91 in (734 mm)	5
3008ANMP05	30 in (750 mm)	14.42 in (366 mm)	17.49 in (444 mm)	36.23 in (920 mm)	5
3608ANMP05	36 in (900 mm)	18.36 in (466 mm)	22.02 in (559 mm)	42.86 in (1089 mm)	5
2408ANMP11	24 in (600 mm)	11.03 in (280 mm)	16.55 in (420 mm)	29.34 in (745 mm)	11.25
3008ANMP11	30 in (750 mm)	14.42 in (366 mm)	21.40 in (544 mm)	36.79 in (934 mm)	11.25
3608ANMP11	36 in (900 mm)	18.36 in (466 mm)	26.67 in (677 mm)	43.52 in (1105 mm)	11.25
2408ANMP22	24 in (600 mm)	11.03 in (280 mm)	22.54 in (573 mm)	31.09 in (790 mm)	22.5
3008ANMP22	30 in (750 mm)	14.42 in (366 mm)	28.96 in (736 mm)	39.99 in (1016 mm)	22.5
3608ANMP22	36 in (900 mm)	18.36 in (466 mm)	35.65 in (906 mm)	46.14 in (1172 mm)	22.5



θ REPRESENTS THE DEGREE OF BEND ONE IS ASSEMBLING.

NOTE: ALL DIMENSIONS ARE NOMINAL

			REVISIONS		
			BY	DATE	
DRAWN BY AWM	03.14.05	APPROVED BY AWM	03.14.05	DRAWING # 6086	