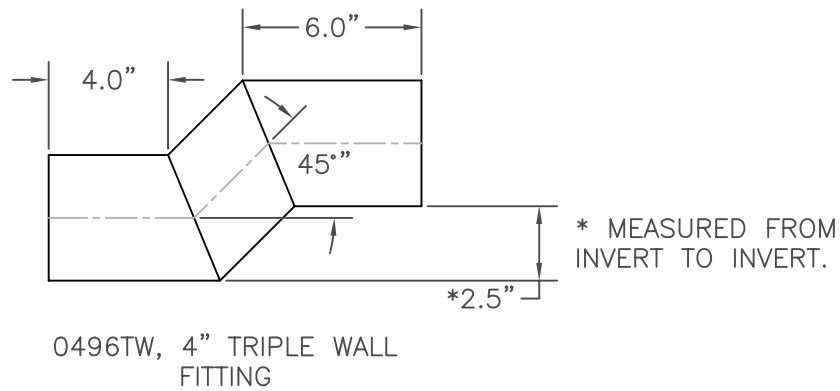
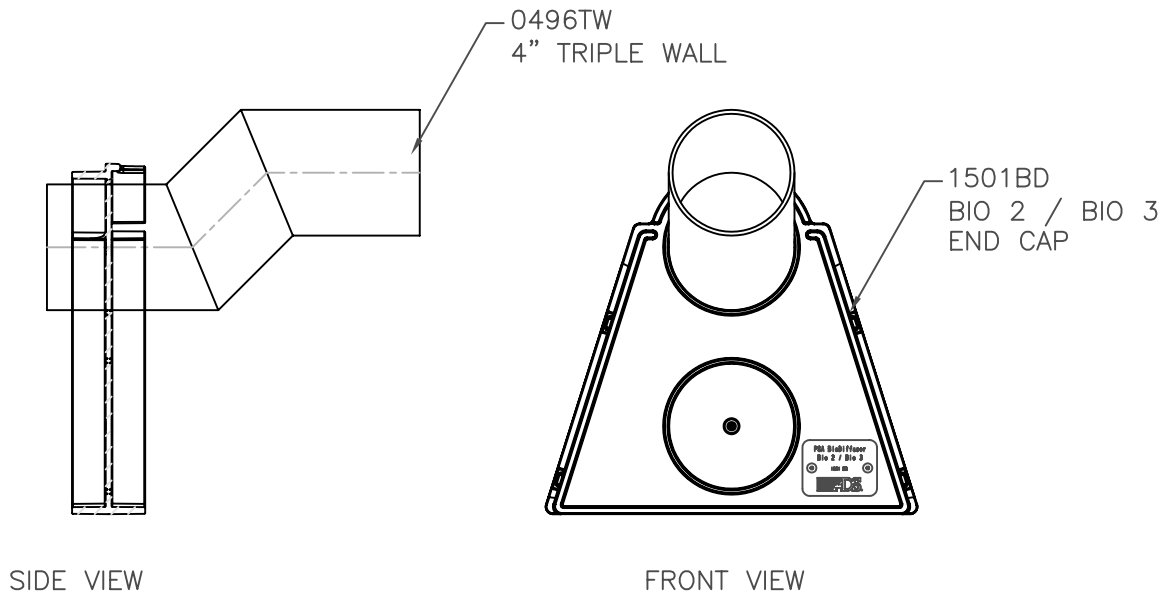



# HIGH INVERT BIODIFFUSER END CAP ASSEMBLY – 1502BD



THE ASSEMBLY OF THESE TWO PARTS, 0496TW AND 1501BD IS 1502BD.  
PARTS ARE DELIVERED TO THE FIELD IN A BAG AND ASSEMBLED BY  
THE CONTRACTOR.

NOTE: ALL DIMENSIONS ARE NOMINAL

			REVISIONS		
			BY	DATE	
DRAWN BY AWM	04.05.04	APPROVED BY AWM	04.05.04	DRAWING # 6036	