

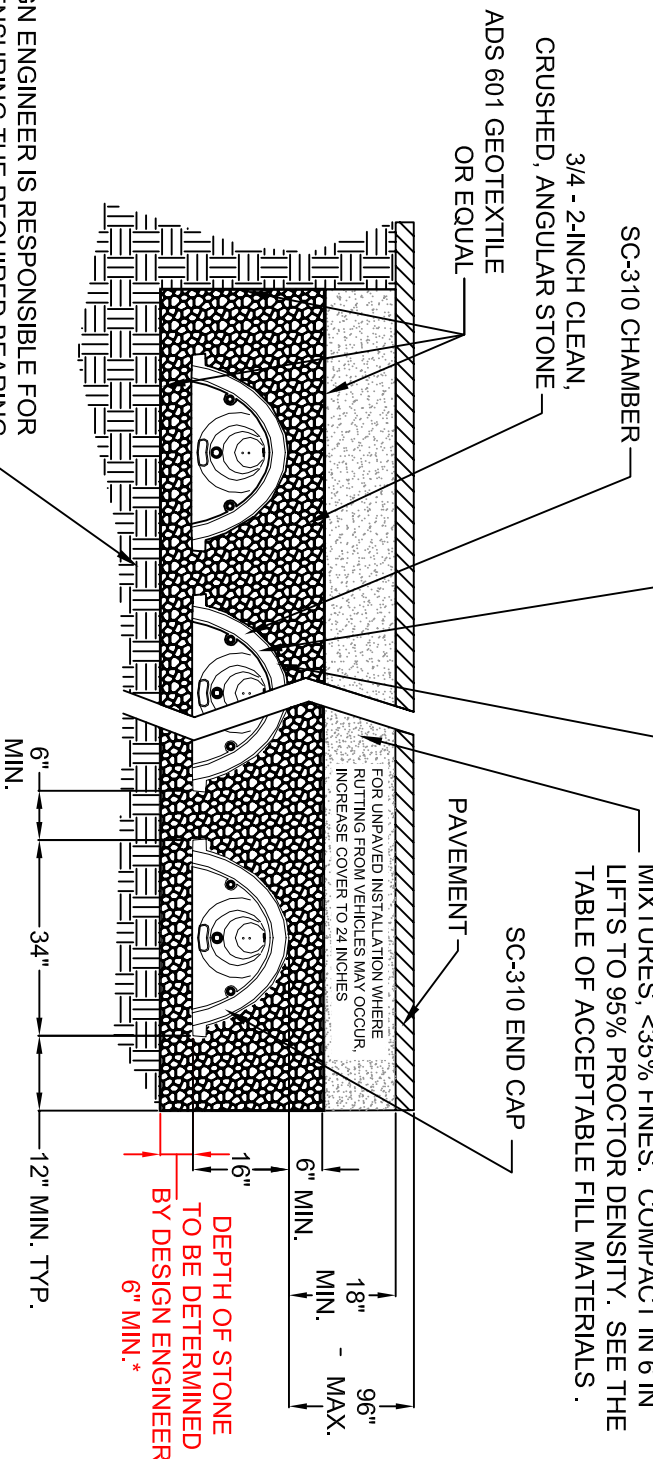
THE INSTALLED CHAMBER SYSTEM SHALL PROVIDE THE LOAD FACTORS SPECIFIED IN THE AASHTO LRFD BRIDGE DESIGN SPECIFICATIONS SECTION 12.12 FOR EARTH AND LIVE LOADS, WITH CONSIDERATION FOR IMPACT AND MULTIPLE VEHICLE PRESENCES.

CHAMBERS SHALL MEET ASTM F 2418-05 "STANDARD SPECIFICATION FOR POLYPROPYLENE (PP) CORRUGATED WALL STORMWATER COLLECTION CHAMBERS".

GRANULAR WELL GRADED SOIL/AGGREGATE MIXTURES, <35% FINES. COMPACT IN 6 IN LIFTS TO 95% PROCTOR DENSITY. SEE THE TABLE OF ACCEPTABLE FILL MATERIALS.

DESIGN ENGINEER IS RESPONSIBLE FOR ENSURING THE REQUIRED BEARING CAPACITY OF SUBGRADE SOILS*

THIS CROSS SECTION DETAILS THE REQUIREMENTS NECESSARY TO SATISFY THE LOAD FACTORS SPECIFIED IN THE AASHTO LRFD BRIDGE DESIGN SPECIFICATIONS SECTION 12.12 FOR EARTH AND LIVE LOADS USING STORMTECH CHAMBERS



DEPTH OF STONE TO BE DETERMINED BY DESIGN ENGINEER 6" MIN.*

STORMTECH LLC CONCEPTUAL PLAN DISCLAIMER

THIS STORMTECH CHAMBER SYSTEM LAYOUT WAS PRODUCED TO DEMONSTRATE A BED LAYOUT THAT WILL HANDLE THE DESIGN VOLUME LISTED ABOVE. THE SIZING, FIT AND APPLICABILITY OF THE STORMTECH CHAMBER SYSTEM FOR THIS SPECIFIC PROJECT HAS NOT BEEN DETERMINED. IT IS THE ULTIMATE RESPONSIBILITY OF THE DESIGN ENGINEER TO ASSURE THAT THE STORMWATER SYSTEM DESIGN IS IN FULL COMPLIANCE WITH ALL APPLICABLE LAWS AND REGULATIONS. STORMTECH PRODUCTS MUST BE DESIGNED AND INSTALLED IN ACCORDANCE WITH STORMTECH'S MINIMUM REQUIREMENTS. STORMTECH LLC DOES NOT APPROVE PLANS, SIZING, OR SYSTEM DESIGNS. THE DESIGNING ENGINEER IS RESPONSIBLE FOR ALL DESIGN DECISIONS.

FOR STORMTECH INFORMATION
CALL 1-888-892-2694

*SEE STORMTECH DESIGN MANUAL

* NOTE: CHAMBER SYSTEM DESIGN MUST BE IN ACCORDANCE WITH STORMTECH DESIGN MANUAL

20 Beaver Road, Suite 104
Wethersfield, CT 06109
Phone: 888-892-2694
Fax: 866-328-8401
www.stormtech.com

STORMTECH SC-310 CROSS SECTION	
SCALE:	NTS
DATE:	ACAD NO.
DRAWN BY:	SHEET
	OF