

# ABS Robusta light drainage pump 1

The Robusta 1 can pump down to 1 mm thanks to hydraulics that are specially designed for pumping wastewater and drainage water in locations where the level is low and almost all the water must be pumped away. It will start pumping at a water level of 20 mm and pump away residual water to 1 mm. The actual level of the residual water may vary depending on factors such as surface texture and composition, evenness of surface etc.

## Application

Where there is a need to pump away the water right down to minimal levels. This can occur when working on flat roofs where residual water must be pumped away. Also in cellars and other flat areas where there is no specific sump available.

## Construction

- Threaded discharge outlet G 1¼" with built-in flap type check-valve and removable hose adaptor.
- Connection chamber with cover and watertight cable inlet and strain relief.
- Outer jacket and other housing parts made of corrosion resistant synthetic material. Motor housing is made of coated aluminium.
- Motor is dynamically balanced with stainless steel shaft. Thermal sensors in the stator switch off the pump in the case of overheating and automatically switch it back on after cooling down.
- The sealing on the motor side is by means of special lip seals supported by lubricated bearings.
- The medium being pumped flows around the motor housing for optimum heat dissipation. The maximum allowable medium temperature is 40 °C; or up to 60 °C for intermittent usage (max 5 minutes).
- The special bayonet clamping allows the screen to be removed by hand in the event of an impeller inspection.
- As the pump is designed to pump down to 1 mm, it is not fitted with an automatic float system. The pump is switched off by unplugging it.



## Features

- The Robusta 1 pumps down to 1 mm.
- For draining flooded cellars, pits or sumps, and for pumping rain water.
- For pumping water from flat roofs and other flat surfaces.
- The Robusta 1 is ready for immediate use. For transportable applications the hose nozzle, designed for two standard hose sizes, is ready for direct hose connection.
- The checkvalve built into the discharge outlet blocks return-flow from the discharge line when the pump is switched off.
- Checkvalve and hose adaptor included as standard.
- Manually operated, lightweight and portable.

## Materials

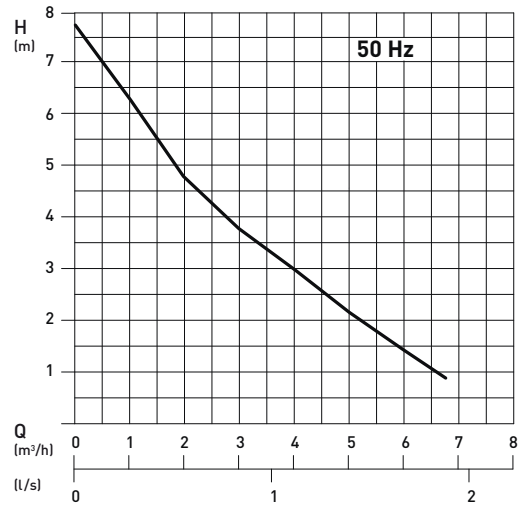
Description	Material
Pump Casing	Polypropylene
Motor Shaft	Stainless steel 1.4021 (AISI 420)
Impeller	Polyamide
Seals	Neoprene
Cable	Neoprene

## Technical Data

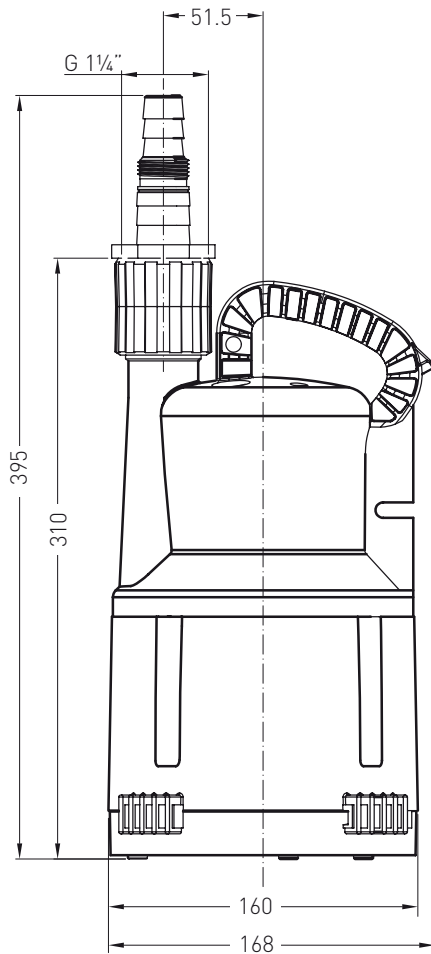
Robusta	
Discharge connection	G1¼" internal thread
Solids size (mm)	1.0
Motor power* (kW)	$P_1 = 0.28$
Rated voltage (V)	220-240 1~
Rated current (A)	1.2
Cable type (H05RN-F)	3G1.0
Cable length (m)	3, 10 & 20, with Europlug
Weight (kg)	3.0

\* $P_1$  = Power taken from mains.

## Performance Curve



## Dimensions (mm)



## Hose Adaptor

