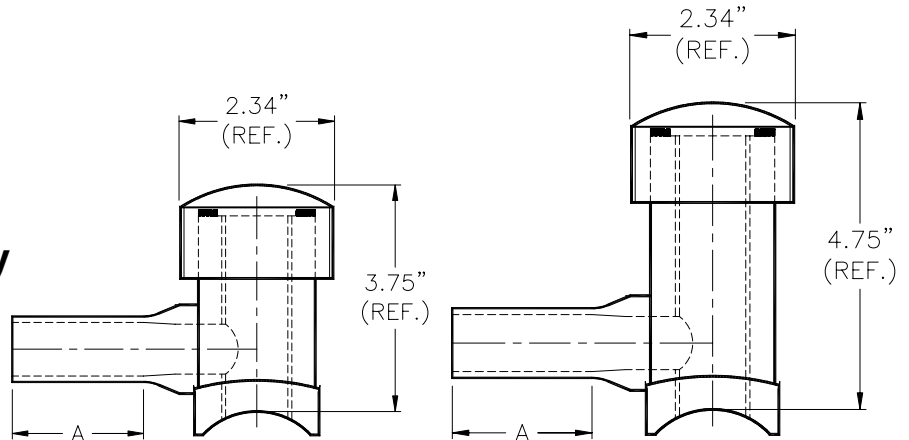


Gas Tapping Tee*
Flat Gasket
Butt Outlet
Standard/Extended Chimney
Rectangular Base

Produced to ASTM D2513 and D3261

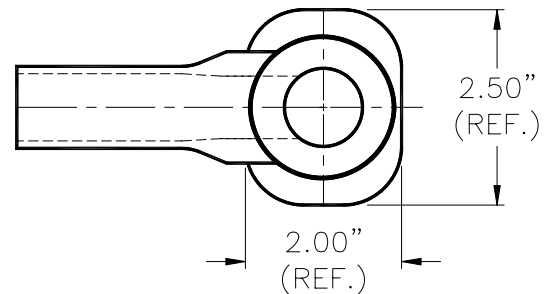


Main Size	Outlet Size	Butt Outlet DR/Wall	Dimension A (in)	CSA ²	Protective Sleeves	Package Weight for Std. Chimney (lbs.)		Package Weight for Ext. Chimney (lbs.)		Reference Number
						With ^B Sleeve	Without ^A Sleeve	With ^B Sleeve	Without ^A Sleeve	
1 1/4" -18" IPS ¹	1/2" CTS	0.090	1.68	x	PS1	9.1	3.8	9.2	5.9	*M*RTBTT*
	3/4" CTS	0.090	1.97		PS1A	9.9	3.9	10.3	5.9	
	1" CTS	0.090	2.48			9.9	3.8	10.1	5.9	
		0.102				10.0	3.9	10.3	6.0	
1 1/4" -18" IPS ¹	1/2" IPS	DR 9.3	2.00		PS2	10.0	3.9	10.8	5.9	
	3/4" IPS	DR 11	2.44	x		10.7	3.8	10.7	5.9	
	1" IPS	DR 9	2.70		PS2	10.9	3.9	10.9	6.0	
		DR 11		x		10.7	3.8	10.8	5.9	
	1 1/4" IPS	DR 9	2.25		PS3	12.7	4.2	13.5	6.5	
		DR 11		x ³		12.5	4.0	13.1	6.3	

¹ - See Bulletin PP 11.03 for cutter limitations (SDR specific)
² - CSA available as DriscoPlex[®] 6500 MDPE materials ONLY through 8" mains
³ - CSA Approved for 3" x 1-1/4" only.
x - Indicates certification/approval for appropriate application or test.
- Drawing Nos. CU70B436 for Standard Chimney & CU70B502 for Extended Chimney

^A Standard Package Quantity-10
^B Standard Package Quantity - 5
12" Sleeve supplied with list price above
Refer to Bulletin 11.04 for additional Sleeve sizes

NOTE
Refer to Bulletin PP 11.01 for Std. Tapping Tee Accessories



***DriscoPlex[®] tapping tees and cutters are designed and intended to tap polyethylene mains of wall thickness as defined in PP11.03. Special precautions are necessary when working in gaseous environments or elevated temperatures. Consult your Operations and Safety Manuals for specific recommendations. The use of these tapping tees and cutters beyond this scope is at the user's own risk.**