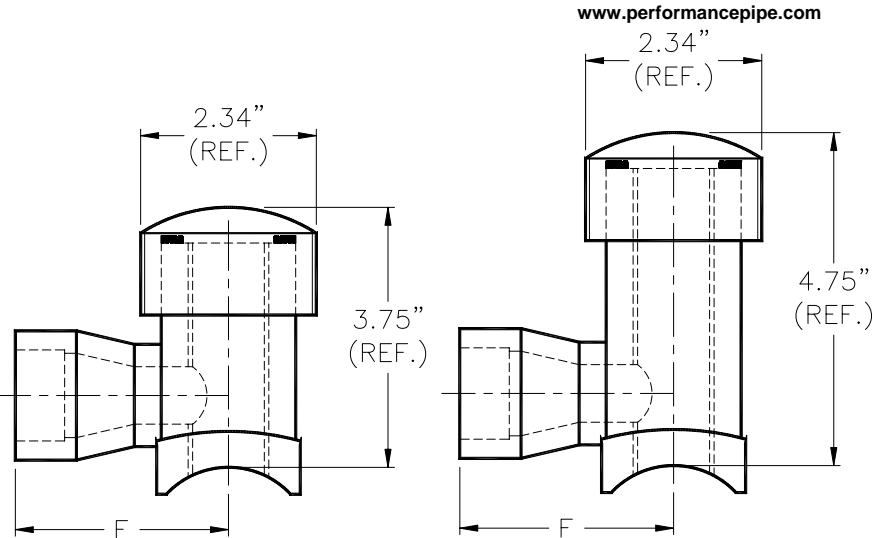


**Gas Tapping Tee\***  
**Flat Gasket**  
**Socket Outlet**  
**Standard/Extended Chimney**  
**Rectangular Base**

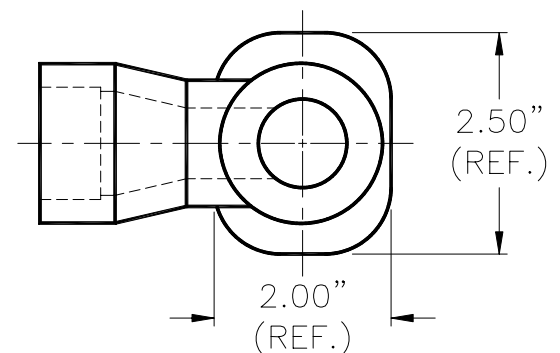
Produced to ASTM D2513 and D2683



Main Size	Outlet Size	Dimension F (in)	CSA <sup>2</sup>	Protective Sleeves	Package Weight for Std. Chimney (lbs.)		Package Weight for Ext. Chimney (lbs.)		Ref. Number
					With Sleeve	Without Sleeve <sup>A</sup>	With Sleeve	Without Sleeve <sup>B</sup>	
1 1/4 -18" IPS <sup>1</sup>	1/2" CTS	2.90	x	PS1	9.1 <sup>A</sup>	3.7	9.5	6.0	*M*RTSTT*
	3/4" CTS	2.95		PS1A	10.9 <sup>A</sup>	3.8	10.9	5.8	
	1" CTS	2.95	x	PS3	12.3 <sup>A</sup>	3.9	12.9	6.0	
	1 1/4" CTS	2.97			12.3 <sup>A</sup>	3.9	12.7	6.1	
1 1/4 -18" IPS <sup>1</sup>	1/2" IPS	2.97	x	PS1A	9.9 <sup>A</sup>	3.8	11.3	5.8	
	3/4" IPS	2.98	x	PS2	10.7 <sup>A</sup>	3.8	10.9	5.8	
	1" IPS	2.97	x	PS3	12.3 <sup>A</sup>	3.9	12.9	6.2	
	1 1/4" IPS	3.28		PS4	8.7 <sup>B</sup>	4.2	14.7	6.2	

<sup>1</sup> - See Bulletin PP 11.03 for cutter limitations (SDR Specific)  
<sup>2</sup> - CSA available as DriscoPlex<sup>®</sup> 6500 MDPE materials ONLY through 8" mains  
 x - Indicates certification/approval for appropriate application or test.  
 - Drawing Nos. CU70B435 for Standard Chimney & CU70B557 for Extended Chimney

<sup>A</sup> Standard Package Quantity-10  
<sup>B</sup> Standard Package Quantity-5  
 12" Sleeve supplied with list price above  
 Refer to Bulletin PP 11.04 for additional Sleeve



**NOTE**  
Refer to Bulletin PP 11.01 for Std. Tapping Tee Accessories

**\*DriscoPlex<sup>®</sup> tapping tees and cutters are designed and intended to tap polyethylene mains of wall thickness as defined in PP11.03. Special precautions are necessary when working in gaseous environments or elevated temperatures. Consult your Operations and Safety Manuals for specific recommendations. The use of these tapping tees and cutters beyond this scope is at the user's own risk.**