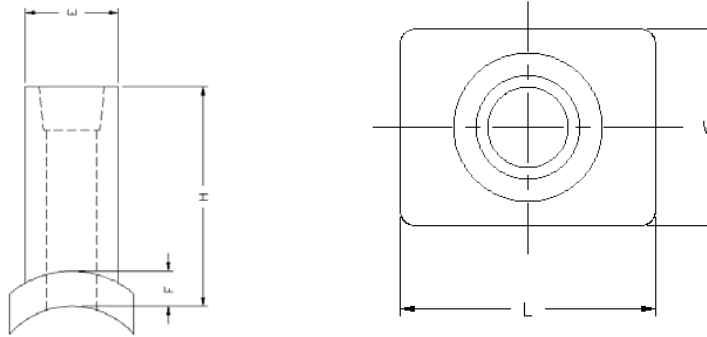


Dual Butt & Socket Saddles / Rectangular Base
*PRODUCED TO ASTM D2513, D3261 & D2683
and AWWA C901-08*



<u>Main Size</u> <u>(Nominal)</u> <u>(IPS/ DIPS)</u>	<u>Outlet</u> <u>Size</u>	<u>DR/</u> <u>Wall</u>	<u>Dimensions (in)</u>					<u>Pkg</u> <u>Qty</u>	<u>Pkg</u> <u>Wt (lbs.)</u>	<u>Box</u> <u>Qty</u>	<u>Reference</u> <u>Number</u>
			<u>E</u>	<u>F</u>	<u>H</u>	<u>L</u>	<u>W</u>				
1 1/4" - 12"	1" IPS Butt 3/4" IPS Socket	DR 9.3	1.315	.43	3.26	2.62	2.05	10	2.0	50	*M*SSDL*
2" - 12"	1-1/4" IPS Butt 1 IPS Socket	DR 9.0	1.660	.43	3.08	2.42	1.99		2.1	50	

- Refer to Bulletin PP 11.04 if Protective Sleeves are required.
- Drawing No. CU70B-997