



PolyPorter™

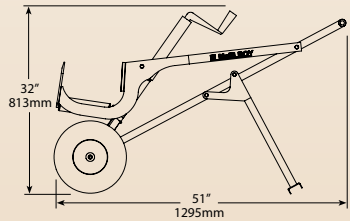
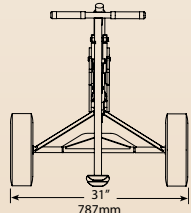
The PolyPorter was created from the mind of a pipeline contractor, it is an innovative workhorse that tackles the job of handling pipe in the field. The PolyPorter combines the mechanical advantage of a dolly with the functionality of a pipe stand, to create one of the most useful pipeline tools. One person can easily load a length of pipe without strain, the pipe can then be slid easily through the roller equipped hook arm into the fusion machine. The jack enables the operator to raise and lower the PolyPorter to level the pipe in uneven terrain to the height of the machine.

- Can lift 2" IPS - 8" DIPS (63mm - 250mm) pipe
- Combines the advantage of a dolly and a pipe stand
- One person can easily load a length of pipe without strain
- Pipe easily slides through the roller into the fusion machine
- Jack enables PolyPorter to be raised to height of machine



Part No.	Description
864201	PolyPorter pipe stand and dolly.

PolyPorter

CAPACITY

Lifts: 2" IPS - 8" DIPS pipe (63mm - 250mm)

Maximum Load: 300 lbs (136Kg)

WEIGHT

PolyPorter: 63 lbs (28.6Kg)

MOBILITY

Tires: Inflatable tires

WARRANTY

Term: 3 Years see page 7 for details

To see a video of The PolyPorter go to:
www.mcelroy.com/fusion/resources/videos.htm