

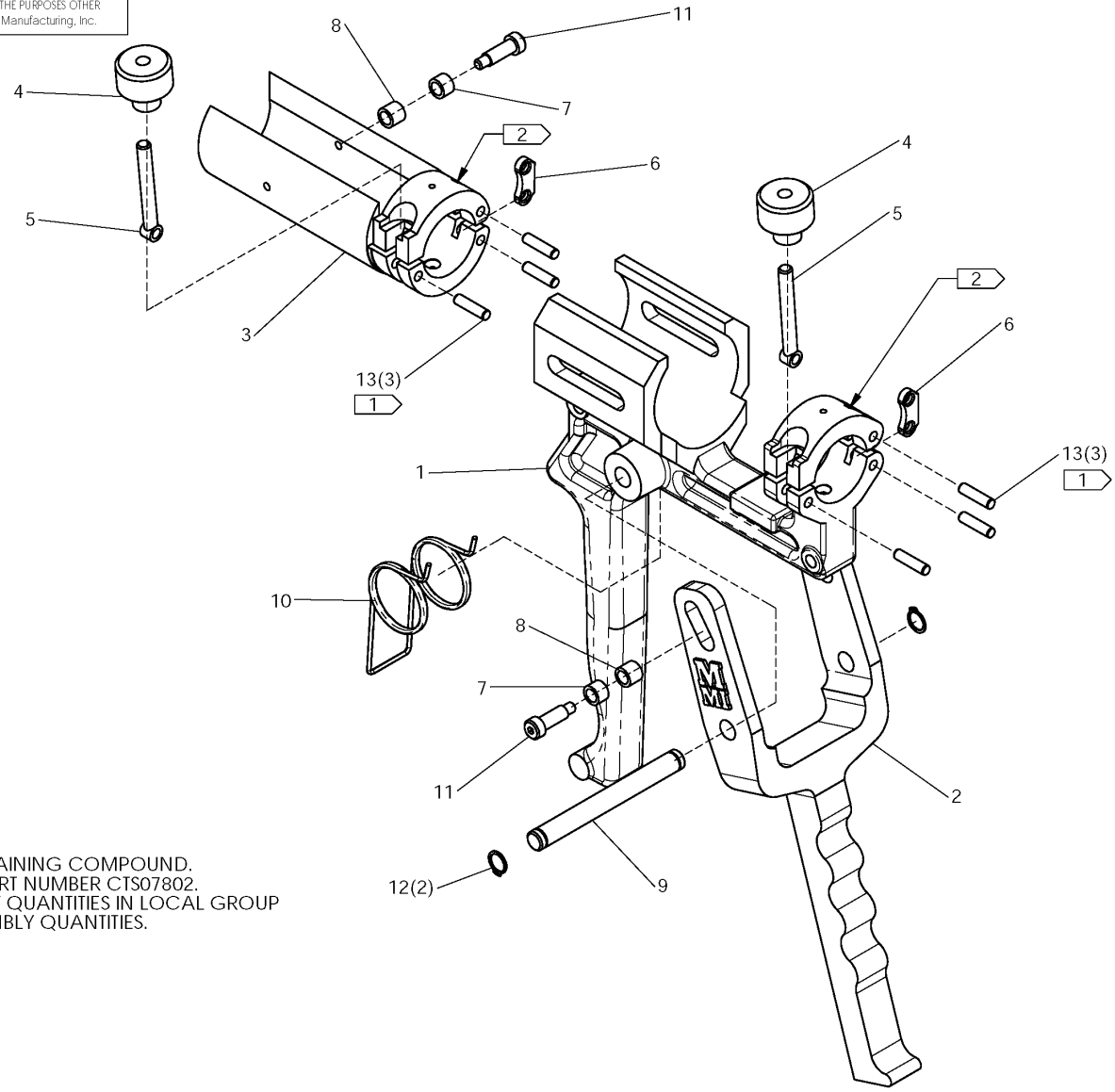


McElroy Manufacturing, Inc.
The leader by design.
Tulsa, Oklahoma U.S.A.

| | | | | | | |
|-----------|------------|------------|---------------|-----------|-----------|-------------------|
| DRAWN: SS | CHECK: SWB | APPRV'D: B | DATE: 9/10/96 | SHT No: 1 | REV No: G | PART No: CTS07901 |
|-----------|------------|------------|---------------|-----------|-----------|-------------------|

1" IPS Mini-Mc ASSEMBLY

NOTE: THIS DRAWING AND THE INFORMATION CONTAINED THEREIN IS THE CONFIDENTIAL AND PROPRIETARY PROPERTY OF McElroy Manufacturing, Inc. THE DRAWING IS NOT TO BE REPRODUCED IN ANY MANNER, SUBMITTED TO OUTSIDE PARTIES FOR EXAMINATION, OR USED DIRECTLY OR INDIRECTLY FOR THE PURPOSES OTHER THAN THOSE FOR WHICH IT WAS FURNISHED WITHOUT WRITTEN PERMISSION OF McElroy Manufacturing, Inc.



- NOTES:
1. INSTALL USING MEDIUM STRENGTH RETAINING COMPOUND.
 2. FOR REPLACEMENT CLAMP ORDER PART NUMBER CTS07802.
 3. ITEMS SHOWN IN PARENTHESIS REFLECT QUANTITIES IN LOCAL GROUP AND MAY NOT INDICATE TOTAL ASSEMBLY QUANTITIES.



McElroy Manufacturing Parts List

Part Number: CTS07901 1ips MiniMc Assembly



1ips mnmc assy

Part Number CTS07901 Component List

| Item | Component | Description | Quantity | Unit | Price |
|------|-----------|-------------------------------|----------|------|--------|
| 1 | CTS06502 | 1IPS Body&upper Clamp | 1.0 | EA | 245.00 |
| 2 | CTS06602 | 1IPS Trigger | 1.0 | EA | 66.28 |
| 3 | CTS06402 | 1IPS Barrel&upper Clamp | 1.0 | EA | 195.00 |
| 4 | CTS10401 | Bearing Style Clamp Knob Assy | 2.0 | EA | 32.89 |
| 5 | CTS05201 | Clamp Screw | 2.0 | EA | 22.67 |
| 6 | CTS05301 | Jaw Hinge Link | 2.0 | EA | 6.85 |

McElroy Manufacturing Parts List

Part Number: CTS07901 1ips MiniMc Assembly

| | | | | |
|----|-----------|-----------------------------|--------|-------|
| 7 | CTS03501 | Short Spacer Roller | 2.0 EA | 3.37 |
| 8 | CTS03502 | Long Spacer Roller | 2.0 EA | 3.37 |
| 9 | CTS06701 | 1IPS Trigger&body Pivot Pin | 1.0 EA | 8.59 |
| 10 | CTS03701 | Torque Spring | 1.0 EA | 11.59 |
| 11 | CTS06101 | Shoulder Screw Mod | 2.0 EA | 8.59 |
| 12 | MCB00017 | Ext Snap Ring | 2.0 EA | 0.84 |
| 13 | MCI00006 | 3/16DIAx3/4LG Dowel Pin | 6.0 EA | 0.63 |
| 14 | ACTS08201 | MiniMc Screw/Driver Kit | 1.0 EA | 15.33 |

Please visit <http://fusion.mcelroy.com/parts> to purchase parts or for more information.

