

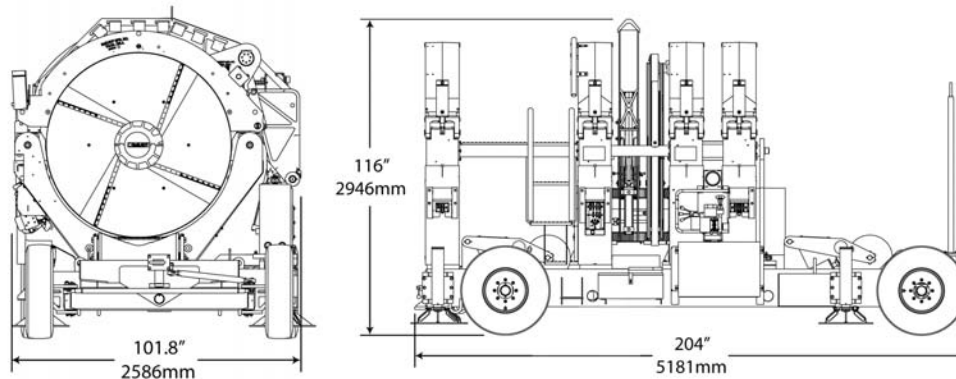
MegaMc® Four-Jaw 1600

Pipe Fusion Machine for 20" - 63" OD pipe (500mm to 1600mm)

Overview

Enormous job ahead? The MegaMc® 1600 4-Jaw fusion machine can tackle the largest of pipe jobs, with the ability to butt fuse pipe sizes from 20" OD to 63" OD (500mm – 1600mm). The newest MegaMc machine features four jaws with an astounding 30,000 lbs. of clamping force per jaw for improved gripping and rounding of pipe. With 94,260 lbs. of fusion force, operators will find they have extra force in reserve to overcome drag.

Packed within its road-approved 102" width are key features that will inspire big love for this big machine.



Specifications

WEIGHT: 21,000 lbs. (9,525 kg)
MOTOR: 25 HP, 3 Phase, 240V, 60Hz
MINIMUM POWER REQUIREMENT*: 65KVA
TIRES: 8.25-15LT High Load Rating
FRONT AXLE: Articulating
HIGH FORCE CARRIAGE

Effective Piston Area: 31.42 sq inches (202.7 sq cm)
Maximum Force: 94,260 lbs (42,755 kg)
MEDIUM FORCE CARRIAGE
Effective Piston Area: 14.14 sq inches (91.2 sq cm)
Maximum Force: 42,420 lbs (19,241 kg)



**Average values at sea level*

Features

- 30,000 lbs. of clamping force per jaw help round pipe ends and offer better gripping
- 94,260 lbs. of available fusion force is more than twice the fusion force of the 2-Jaw model, allowing you to fuse thicker wall pipes and overcome heavier drag forces
- A new facer with stronger internals is 40% faster, making it easier to face heavy-wall pipe
- Extendable hydraulic outriggers/levelers stabilize the machine on level or uneven jobsite locations
- Towable, proving valuable for small adjustments or moving around a jobsite
- Complete fourth jaw can be removed as a whole unit, for enhanced convenience in fusing prefabricated fittings onto the pipe
- Automatic hydraulic heater stripping improves open and close times
- 102" width suitable for most flatbed trailers and is road shippable without permit in most of the U.S.
- Simple-to-use independent jaw control puts more flexibility in the hands of the operator
- Advanced digital heater control offers better temperature control