

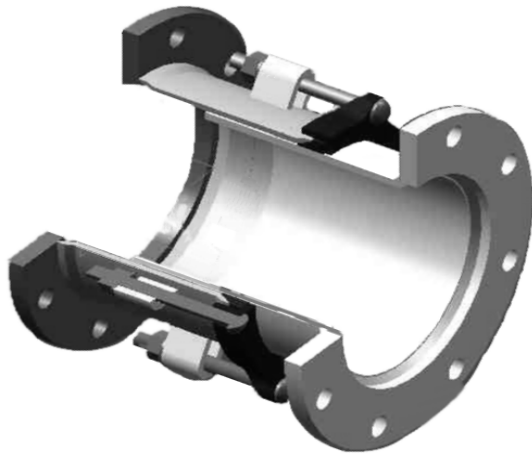
## JCM 309 Dismantling Joints

Dismantling joints simplify installations and replacement of flanged fittings in retrofitting applications. JCM 309 Dismantling Joints provide the solution for adding, repairing or replacing flanged fittings within a flanged pipe system. Adjustable, slip joint design accommodates either wide gaps or close quarter installations and eliminates the need for precise measurements between flange connections.

Available in sizes 2" and larger, for ductile iron or flanged steel pipe systems.

Standard flanges AWWA C207 Class D Flange with 150 lb. drilling. Other flanges available upon request.

Restraint system available upon request.



### JCM 309 Dismantling Joints Offer:

Greater adjustment ability speeds installations and reduce system downtime.

Accommodates future modifications and system adjustments.

Simplifies installation - one fitting integrates into system operating as flanged adapter and an adjustable spool piece.

### MATERIAL SPECIFICATIONS - JCM 309 DISMANTLING JOINT

- FLANGED ADAPTER BODY:** ASTM A513, ASME SA 675 GR60, or Ductile Iron ASTM A536.
- FOLLOWER FLANGE:** AISI C1012, ASME SA36, or Ductile Iron ASTM A536.
- FLANGE:** AWWA C207 Class D Flange, 150 lb. drilling. Optional flanges available.
- FLANGE EXTENSION:** Schedule 40 Steel Pipe
- BOLTS:** Corrosion resistant, high strength low alloy (AWWA C-111, ANSI 21.11). Optional Stainless Steel 18-8 Type 304 available.
- FINISH:** Heavy coat of corrosion resistant metal primer. Optional Fusion Applied Epoxy Coating available.
- GASKET:** Specially compounded new rubber polymer for superior shelf life and resistance to permanent set. Recommended for water, salt solutions, mild acids, bases.