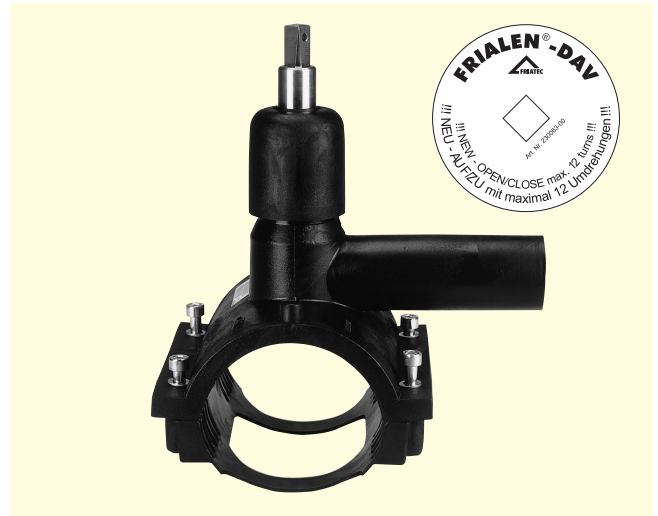
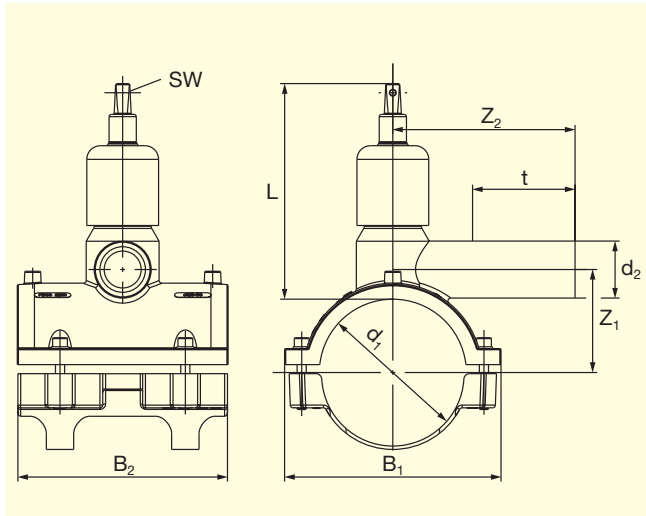


FRIALEN®-Pressure Tapping Valves DAV with new valve mechanics PE 100 SDR 11

Maximum working pressure 16 bar (Water) / 10 bar (Gas)



d ₁ ^①	d ₂	Offer No.	Stock-status	VE	PE	L	z ₁	z ₂	t	B ₁	B ₂	SW	Turns: tapping; OPEN/CLOSE	Drilling Ø	Weight kg/each
50	32	T-615 955	1	16	288	160	46	115	85	85	95	14	7	20	0.858
63	32	T-615 341	1	16	288	160	53	115	85	98	105	14	7	20	0.890
63	40	T-615 342	1	16	288	160	55	125	85	98	105	14	7	20	0.830
75	32	T-615 956	1	12	216	160	59	130	85	110	125	14	7	20	1.040
90	32	T-615 344	1	12	96	200	71	126	84	146	150	14	7	30	1.810
90	50	T-615 346	1	12	96	200	73.5	152	105	146	150	14	7	30	1.880
90	63	T-615 347	1	12	96	200	73.5	166	118	146	150	14	7	30	1.980
110	32	T-615 348	1	10	80	190	75	130	85	175	180	14	7	30	1.980
110	50	T-615 350	1	10	80	190	80	160	105	175	180	14	7	30	2.070
110	63	T-615 351	1	10	80	190	75	180	115	175	180	14	7	30	2.155
125	32	T-615 352	1	10	80	190	80	145	85	190	185	14	7	30	2.100
125	50	T-615 354	1	10	80	190	85	165	105	190	185	14	7	30	2.180
125	63	T-615 355	1	10	80	190	80	180	115	190	185	14	7	30	2.270
140	63	T-615 930	1	10	80	190	95	180	115	200	185	14	7	30	2.290
160	32	T-615 356	1	6	48	245	114	130	85	225	195	14	10	30	2.760
160	50	T-615 358	1	6	48	245	117	160	105	225	195	14	10	30	2.840
160	63	T-615 359	1	6	48	245	117	165	115	225	195	14	10	30	2.950
180	32	T-615 361	1	5	40	245	124	130	85	240	195	14	10	30	2.810
180	50	T-615 363	1	5	40	245	127	160	105	240	195	14	10	30	2.880
180	63	T-615 364	1	5	40	245	127	165	115	240	195	14	10	30	2.920
200	32	T-615 366	1	5	40	245	134	130	85	250	195	14	10	30	2.830
200	50	T-615 368	1	5	40	245	137	160	105	250	195	14	10	30	2.629
200	63	T-615 369	1	5	40	245	137	165	115	250	195	14	10	30	2.620
225	32	T-615 374	1	5	40	245	147	130	85	260	195	14	10	30	2.840
225	50	T-615 376	1	5	40	245	150	160	105	260	195	14	10	30	2.900
225	63	T-615 377	1	5	40	245	150	165	115	260	195	14	10	30	2.875

FRIALEN®-Pressure Tapping Valves DAV ≤ d 63 can be used for pipes of SDR stage 11 and > d 63 of SDR stages 11 to 17.6

Please turn over for important information regarding application of the **FRIALEN®-Pressure Tapping Valves DAV**



FRIALEN[®]-Pressure Tapping Valves DAV

with new valve mechanics

PE 100 SDR 11

Maximum working pressure 16 bar (Water) / 10 bar (Gas)

Areas of Application

The FRIALEN[®]-Pressure Tapping Valves DAV are used for branches of unpressurised and pressurised gas and water pipelines.

Outlet spigots are prepared for receiving gas flow controllers. Dimensions on request.

Assembly Instructions

The fusion of the HDPE distribution pipes and the house connections with FRIALEN[®]-Pressure Tapping Valves takes place by FRIALEN[®]-fusing – leakproof and longitudinally strong.

For tapping as well as “OPEN/CLOSE” an amount of turns with the key are required as follows:

- 10 turns for d 160-225
- 7 turns for d 50-140

The saddle and the outlet spigot have to be prepared according to the general installation instructions (see “Assembly Instructions” for “FRIALEN[®]-Safety Fittings for house connections and distribution pipes up to d 225”). This involves removing the oxide skin and cleaning the pipe covered by the saddle as well as the outlet spigot and the pipe end.

DVGW-Registration Nos.:
DV-6611AU2254, DV-6611AU2255 and
DV-6611AU7039

Fourteen good reasons for using the FRIALEN[®]-DAV

- Only 7-10 turns to activate “OPEN/CLOSE”
- Simplified appliance due to little drilling strengths
- Higher flow result, less loss of pressure: in position “OPEN” the drill is not in the floating cross-section
- Fusing and drilling of the main under maximum permitted working pressure gas/water
- Compact part in HDPE
- Preassembled unit without loose parts
- No preventive measures necessary with regard to corrosion
- Actuating spindle in stainless steel
- Swarfless tapping due to rotating punching drill made of stainless steel
- Punched-out pipe piece fits securely in drill
- Drill with upper and lower stop
- Length of outlet spigot dimensioned for two fusion operations
- Maintenance free, operating isolating valve actuated by a linkage (e.g. FRIALEN[®]-EBS)
- Additional barcode for tracing back the underground fitting (Traceability-Coding).

Please find our datasheets for downloading on the internet at www.friatec.com

For further information, please call our FRIALEN[®] customer service staff and specialist advisers.

FRIATEC Aktiengesellschaft · Technical Plastics Division
P.O.B. 71 02 61 · D-68222 Mannheim
Telephone +49 621 486-0 · Telefax +49 621 479196
www.friatec.de · E-Mail: info-frialeen@friatec.de