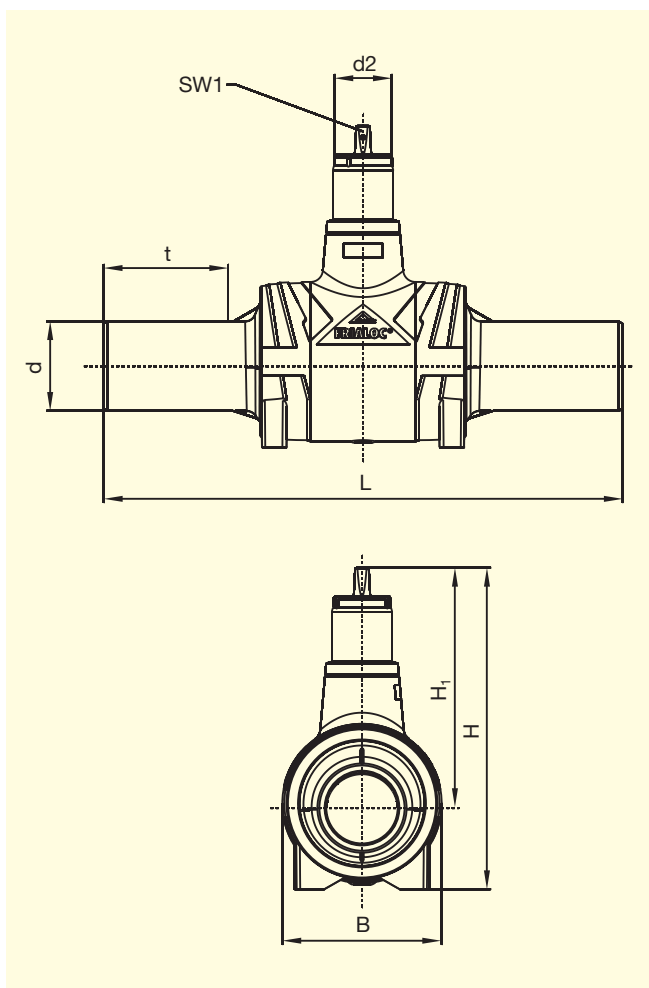


FRIALOC® PE shut-off valve with shut-off mechanism suitable for plastics

PE 100 SDR 11

Allowable operating pressure PFA 16 bar (water) / gas in preparation



d	Order-Ref.	Stock-status	VE	PE	t	B	H	H ₁	L	SW 1	d2	Turns	Weight kg/each
90	T-616 293	1	1	8	158	225	450	335	720	19	80	9	14.200
110	T-616 294	1	1	8	164	225	450	335	720	19	80	9	14.500
125	T-616 295	1	1	8	174	225	450	335	720	19	80	9	14.800
160	T-616 296	1	1	2	196	330	603	450	1010	19	80	14	37.900
180	T-616 297	1	1	2	210	330	603	450	1030	19	80	14	38.800

For important information on the use of **FRIALOC®** PE shut-off valves, please see on the back



FRIALOC® PE shut-off valve **with shut-off mechanism suitable for plastics**

PE 100 SDR 11

Allowable operating pressure PFA 16 bar (water) / gas in preparation

Range of use / application

FRIALOC is used as shut-off valve in water piping systems.

The free passage of the PE shut-off valve shows no constrictions with regard to the connecting pipe SDR 11. Actuation is made from the street cap using the installation kit FBS.

Thanks to the innovative shut-off mechanism, activation is possible with only a few turns and without major force.

Notes on processing

The FRIALOC shut-off valve made of polyethylene is homogeneously connected to the PE piping by FRIALEN® fusion using FRIALEN® safety fittings. This requires no gaskets, material transitions, or mechanical connections. The homogeneous joint is permanently leak-tight and friction-locked. Corrosion protection is not required. The shut-off valve can also be integrated into existing piping networks made of other materials, e.g. using flanges.

Please observe the notes on the installation of the FRIALOC shut-off valve in the FRIALEN® assembly instructions for house service and supply pipings up to d 225.

Accessories

FBS installation kit:

To operate the FRIALOC shut-off valve from the street cap. Optimally matched, can be individually extended to the required covering height.

Fourteen good reasons for FRIALOC

- **FRIALOC facilitates the completely fused and homogeneous PE piping without flanges and material transitions**
- **Typically PE: no corrosion, no incrustation**
- **Innovative two-flap mechanism for a reliable shut-off under all operating conditions**
- **Low-wear drive: proven in fatigue test by 2,500 dynamic test cycles under maximum pressure**
- **Hygiene: no stagnating water, minimised sealing area**
- **Corrosion-resistant metal materials**
- **Significant weight saving compared to metal valves**
- **Low actuation forces, smooth-running even given under full differential pressure**
- **Few turns for opening/closing**
- **Optimal hydraulics thanks to a full-port passage, no constrictions**
- **Stable support in the ditch bottom thanks to large support area**
- **Length of connecting couplers designed for two fusion processes, can be reduced for compact shape**
- **Each single shut-off valve is inspected by the factory after mounting**
- **Production data are saved, archived, and can be documented via a traceability barcode.**

Please find our datasheets for downloading on the internet at www.friatec.com

For further information, please ask our FRIALEN® account managers and sales engineers. Simply call us!

FRIATEC Aktiengesellschaft · Technical Plastics Division
P.O. Box 71 02 61 · D-68222 Mannheim
Phone +49 621/486-0 · Fax +49 621/479196
www.friatec.com · Email: info-frialen@friatec.de