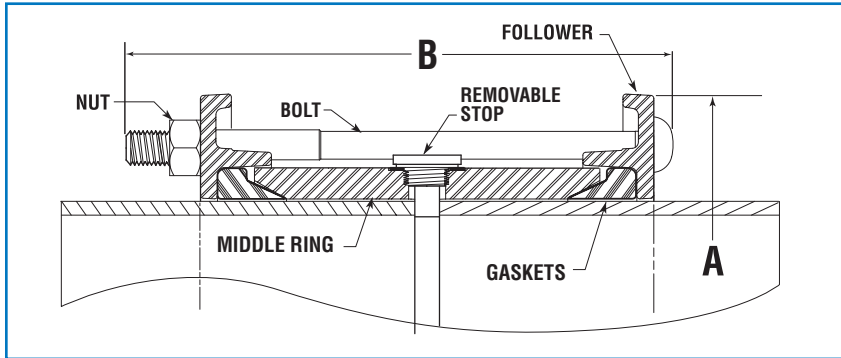


## Style 38 Coupling

ABS Type Approval and ISO Certified



### Style 38 Coupling Specifications for Steel Pipe Sizes 2" thru 32"

Pipe Nominal Size (In)	Outside Pipe Diameter (OD)	Middle Ring Thickness x Length	Bolts/Nuts (Quantity)	Removable Stops (Quantity)	Envelope Dimensions		Working* Pressure Lbs. per Sq.In.	Max. Test Pressure Lbs. per Sq.In.	Approx. Weight Shipping (Lbs.)
					Diameter (A)	Length (B)			
2	2.375	1/2 x 7	3	1	6-1/4	9-1/2	<b>300 PSI (21bar)</b>	<b>450 PSI (31bar)</b>	20
3	3.500	1/2 x 7	4	1	8	9-1/2			25
4	4.500	1/2 x 7	4	1	9	9-1/2			30
5	5.563	1/2 x 7	4	1	10-3/8	9-1/2			35
6	6.625	1/2 x 7	6	1	11-1/4	9-1/2			40
8	8.625	1/2 x 7	6	1	13-1/4	9-1/2			50
10	10.750	1/2 x 7	8	2	14-5/8	9-1/2			60
12	12.750	1/2 x 7	8	2	16-3/4	9-1/2			75
14	14.000	1/2 x 7	14	2	18	11-5/8	100		
16	16.000	1/2 x 7	16	2	20	11-5/8	110		
18	18.000	1/2 x 7	16	3	20	11-5/8	125		
20	20.000	1/2 x 7	18	3	24-1/16	11-5/8	↓	↓	140
22	22.000	1/2 x 7	20	3	26	11-5/8			150
24	24.000	1/2 x 7	22	3	28	11-5/8			165
26	26.000	1/2 x 7	24	3	30	11-5/8			180
28	28.000	1/2 x 7	26	3	32	11-5/8			195
30	30.000	1/2 x 7	26	3	34	11-5/8			205
32	32.000	1/2 x 7	28	3	36	11-5/8			220

\*Working Pressure to 275 PSI (19.2bar) for Fire-Rated Couplings

#### Style 38 Coupling Materials of Construction\*

<b>Followers:</b>	A283, Gr C or Equivalent
<b>Middle Ring:</b>	AISI 1020 Carbon Steel sor Equivalent
<b>Bolts/Nuts:</b>	ASTM A307/ASTM A563
<b>Stops:</b>	316 Stainless Steel
<b>Gaskets:</b>	Grade 42 Buna N (Others available upon request)
<b>Coating:</b>	Fusion-Bonded Epoxy as Standard (Others available)

\*All-Stainless Steel Design available for corrosive service conditions

Piping Specialties, Dresser, Inc.  
 41 Fisher Avenue, Bradford, PA 16701  
 Phone: (814) 362-9200; Fax: (814) 362-9333  
 Email: dmddsales@dresser.com