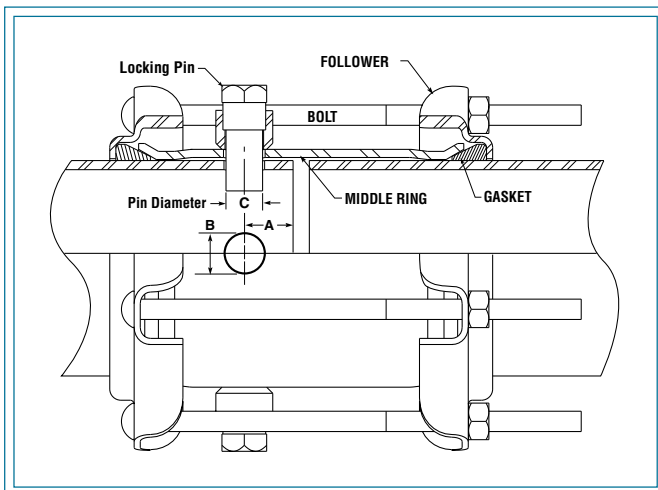


Style 167 Lock Coupling

For use on drilled-end pipe

Provides additional holding strength under unusual conditions...

Dresser Style 167 lock couplings actually “lock” the pipe and the coupling together to protect the line from pipe separation due to unusual movement. These couplings are for exceptional conditions such as ash handling and coal transmission lines, or unanchored high-pressure surface lines where added holding strength is desired.



Style 167 lock couplings utilize standard Style 38 parts with the addition of leak-proof locking pins. The locking arrangement consists of threaded steel locking plugs at each end which extend through the middle ring into corresponding holes drilled in the pipe ends. This construction permits a “universal joint” action of the pipe in the coupling, yet prevents the pipe from pulling out under excessive longitudinal stresses.

Style 167 Pipe Drilling Table

Locking Pin		Drilling Dimensions	
Nominal Size	Pin Diameter (C)	Distance from end of pipe (A)	Drill Size (B)
1/2"	11/16"	15/16"	13/16"
3/4"	29/32"	1-1/4"	1-1/16"
1"	1-1/8"	1-7/16"	1-1/4"

Consult factory for Steel and CIP size availability