

Reducing & Transition Couplings

Style 62 Reducing coupling...

For connecting different sizes and types of pipe

Dresser Style 62 Reducing Couplings are ideal for (1) when making actual reductions in pipe size; (2) when changing the class of pipe; and (3) when joining steel and cast iron pipe. They can be supplied for connections between any two kinds or sizes of pipe.

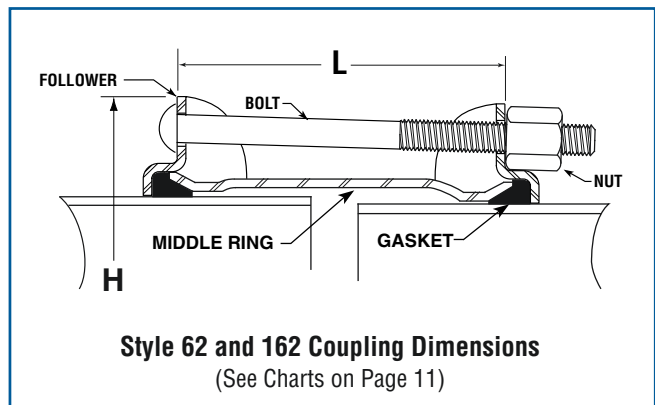
Type I Reducing Couplings are for reductions where the differences in pipe diameters is small, as from standard cast iron to steel of the same nominal size. Standard Style 38 parts are used except the middle ring is swaged on one end.

Type II Reducing Couplings are for larger and special reductions outside the range of Type I. They are made from Style 38 parts with anchor rings welded to the middle ring. Two sets of bolts are supplied.

Style 162 Transition Couplings...

For joining pipe of different diameters

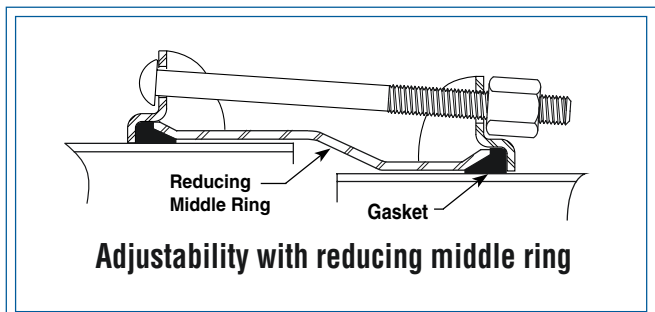
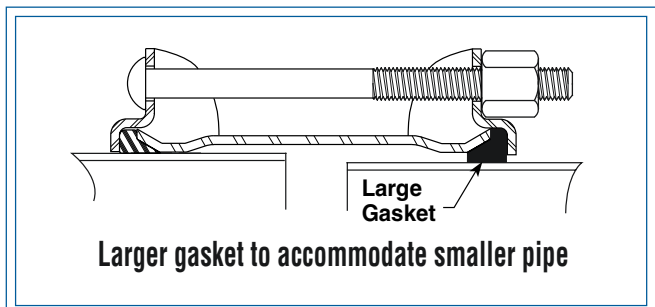
The **Dresser Style 162 Transition Coupling** permits you to connect two different kinds of pipe or sizes of pipe. You simply select the correct coupling for the pipe diameters being joined. The drawings at right illustrate how gaskets of different cross-sections adjust the coupling to your requirement. Further adjustment is accomplished with reducing middle-ring couplings.



Style 62 & 162 Materials of Construction

- Followers:** AISI C1012 or ASME SA36
(Ductile Iron or Malleable Iron for 1/2" thru 1-1/2")
- Middle Ring:** ASTM A513, ASTM A635 or ASME SA675 GR60
- Bolts:** AWWA C 111/ANSI A21.11

Style 162 Coupling Features...



STYLE 62 REDUCING COUPLINGS



Type 1 Sizes and Specifications for Steel and Cast-Iron Pipe

Nominal Size Inches	Outside Diameter Cast-Iron (Inches)	Outside Diameter Steel (Inches)	Middle Ring Thickness & Length	Bolts ¹ No./Diam. & Length	Overall Dimensions		Approx. Shipping Weight (Lbs.)
					Diam. (H)	Length (L)	
3	3.74 - 4.02	3.500	.188 x 5	4-5/8 x 8-1/4	7-3/4	7	16
4	4.74 - 5.06	4.000	.229 x 7	4-5/8 x 10-3/4	9	9	23
4	4.74 - 5.06	4.500	.229 x 7	4-5/8 x 10-3/4	9	9	25
6	6.84 - 7.16	6.000	1/4 x 7	6-5/8 x 10-3/4	11-3/4	9-1/8	27
6	6.84 - 7.16	6.625	1/4 x 7	6-5/8 x 10-3/4	11-3/4	9-1/8	27
8	8.99 - 9.36	8.000	1/4 x 7	6-5/8 x 10-3/4	13-1/4	9-1/8	34
8	8.99 - 9.36	8.625	1/4 x 7	6-5/8 x 10-3/4	13-1/4	9-1/8	36
10	11.04 - 11.46	10.750	3/8 x 7	8-5/8 x 10-3/4	15-9/16	9-3/8	58
12	13.14 - 13.56	12.750	3/8 x 7	8-5/8 x 10-3/4	17-3/4	9-5/8	83
14	15.300	14.000	3/8 x 7	8-5/8 x 10-3/4	19-5/16	9-1/8	85
16	17.400	16.000	3/8 x 7	10-5/8 x 10-3/4	21-3/8	9-1/8	89
16	17.800	16.000	3/8 x 7	10-5/8 x 10-3/4	22-13/16	9-5/8	103
18	19.500	18.000	3/8 x 7	10-5/8 x 10-3/4	23-1/2	9-1/8	117
20	21.600	20.000	3/8 x 7	12-5/8 x 10-3/4	25-5/8	9-1/8	127
20	22.060	20.000	3/8 x 7	12-5/8 x 10-3/4	27-1/16	9-5/8	131
24	25.800	24.000	3/8 x 7	14-5/8 x 10-3/4	29-13/16	9-3/8	162
24	26.320	24.000	3/8 x 7	14-5/8 x 10-3/4	31-5/16	9-5/8	168

STYLE 162 TRANSITION COUPLINGS

Sizes and Specifications for Steel and Cast-Iron Pipe

Nominal Size Inches	Outside Diameter Range (Inches)	Middle Ring Thickness & Length	Bolts ¹ No./Diam. & Length	Overall Dimensions		Approx. Shipping Weight (Lbs.)
				Diam. (H)	Length (L)	
4	4.74 - 5.06 x 4.46 - 4.54	.229 x 5	4-5/8 x 10-3/4	9	9	16
	5.06 - 5.42 x 4.46 - 4.54	.229 x 5	4-5/8 x 10-3/4	9	9	16
6	6.84 - 7.16 x 6.84 - 7.16	1/4 x 5	6-5/8 x 10-3/4	11-3/4	9-1/8	21
	7.15 - 7.45 x 7.15 - 7.45	1/4 x 5	6-5/8 x 10-3/4	11-3/4	9-1/8	21
	7.15 - 7.45 x 6.84 - 7.16	1/4 x 5	6-5/8 x 10-3/4	13-1/4	9-1/8	21
	6.84 - 7.16 x 6.61 - 6.69	1/4 x 5	6-5/8 x 10-3/4	13-1/4	9-1/8	21
	7.15 - 7.45 x 6.61 - 6.69	1/4 x 5	8-5/8 x 10-3/4	15-9/16	9-3/8	21
8	8.99 - 9.22 x 8.99 - 9.22	3/8 x 5	8-5/8 x 10-3/4	17-3/4	9-5/8	29
	9.24 - 9.52 x 9.24 - 9.52	3/8 x 5	8-5/8 x 10-3/4	19-5/16	9-1/8	29
	9.45 - 9.70 x 9.45 - 9.70	3/8 x 5	10-5/8 x 10-3/4	21-3/8	9-1/8	29
	9.24 - 9.52 x 8.99 - 9.22	3/8 x 5	10-5/8 x 10-3/4	22-13/16	9-5/8	29
	9.45 - 9.70 x 8.99 - 9.22	3/8 x 5	10-5/8 x 10-3/4	23-1/2	9-1/8	29
	9.45 - 9.70 x 9.24 - 9.52	3/8 x 5	12-5/8 x 10-3/4	25-5/8	9-1/8	29
	8.99 - 9.22 x 8.61 - 8.69	3/8 x 5	12-5/8 x 10-3/4	27-1/16	9-5/8	30
	9.24 - 9.52 x 8.61 - 8.69	3/8 x 5	14-5/8 x 10-3/4	29-13/16	9-3/8	30
	9.24 - 9.70 x 8.61 - 8.69	3/8 x 5	14-5/8 x 10-3/4	31-5/16	9-5/8	30
	10	11.34 - 11.73 x 11.04 - 11.46	3/8 x 5	14-5/8 x 10-3/4	31-5/16	9-5/8
11.34 - 11.73 x 11.34 - 11.73		3/8 x 5	14-5/8 x 10-3/4	31-5/16	9-5/8	32
11.87 - 12.24 x 11.04 - 11.46		3/8 x 7	14-5/8 x 10-3/4	31-5/16	9-5/8	50
11.87 - 12.24 x 10.73 - 10.81		3/8 x 7	14-5/8 x 10-3/4	31-5/16	9-5/8	50
12	14.13 - 14.51 x 12.72 - 12.84	3/8 x 7	14-5/8 x 10-3/4	31-5/16	9-5/8	58
	14.13 - 14.51 x 13.14 - 13.56	3/8 x 7	14-5/8 x 10-3/4	31-5/16	9-5/8	58

1- Bolts - Furnished E-coated steel as standard.

Gasket - Information appears on Page 16.