

Style 38 and 138 Couplings

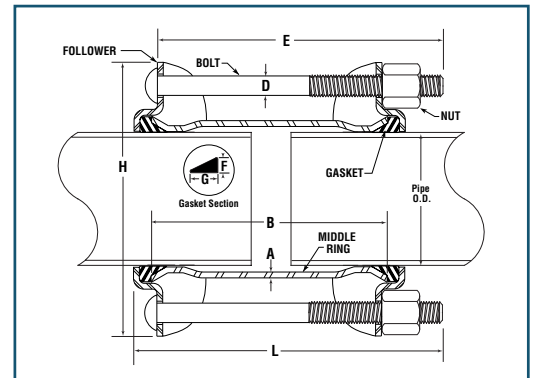
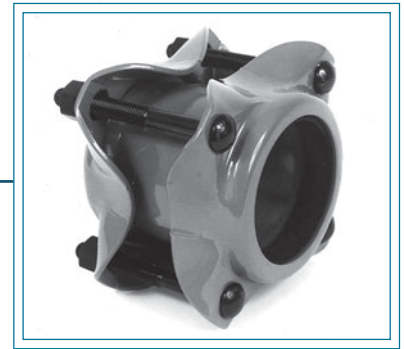
For cast-iron pipe sizes

Dresser Style 38 Couplings are also available for cast iron sizes 2" through 72". These couplings have long been used for joining plain end cast-iron pipe, combining the advantages of absolutely tight joints and easier, faster pipe joining. Style 38 couplings also permit the salvage and use of random lengths of cast-iron pipe from which bell-ends or cracked sections have been removed.

Dresser Style 138 Couplings for Cast Iron Pipe Sizes

Now you can stock one coupling in each nominal size, 2" through 16", and be sure of a fit, whether the cast-iron pipe was made in 1890 or from your latest shipment. The unique feature of this product is one middle ring can be used with up to six different gaskets and three followers to cover a wide range of pipes.

NOTE: These couplings utilize the same materials of construction as the Style 38 as shown on Page 2.



STYLE 38 COUPLINGS

Sizes and Specifications for Plain-End Cast-Iron Pipe

Nominal Size (CIP)	Outside Diameter Inches	Middle Ring Thickness & Length (A&B)	Bolts No./Diam. & Length (D&E)	Gaskets Sec. Dim. Thks/Lgth. (F&G)	Overall Dimensions		Max. Working Pressure Lbs. per Sq. In.	Approx. Shipping Weight (Lbs.)
					Diam. (H)	Length (L)		
2	2.500	.188 x 5	3-5/8 x 8-1/4	3/8 x 3/4	6-1/2	7	1500	12
2-1/4	2.750	.180 x 5	3-5/8 x 8-1/4	1/2 x 29/32	7	7	1500	13
14	15.300	3/8 x 7	10-5/8 x 10-3/4	1/2 x 1-1/16	19-5/16	9-5/8	575	74
14	15.650	3/8 x 7	10-5/8 x 10-3/4	1/2 x 1-1/16	20-5/8	9-5/8	563	102
16	17.400	3/8 x 7	10-5/8 x 10-3/4	1/2 x 1-1/16	19-3/8	9-5/8	509	88
16	17.800	3/8 x 7	10-5/8 x 10-3/4	1/2 x 1-1/16	22-13/16	9-5/8	498	111
18	19.500	3/8 x 7	12-5/8 x 10-3/4	1/2 x 1-1/16	23-1/2	9-5/8	450	105
18	19.920	3/8 x 7	12-5/8 x 10-3/4	1/2 x 1-1/16	24-15/16	9-5/8	448	124
20	21.600	3/8 x 7	12-5/8 x 10-3/4	1/2 x 1-1/16	25-5/8	9-5/8	411	114
20	22.060	3/8 x 7	14-5/8 x 10-3/4	1/2 x 1-1/16	27-1/16	9-3/4	406	141
24	25.800	3/8 x 7	15-5/8 x 10-3/4	1/2 x 1-1/16	29-3/16	9-1/2	349	134
24	26.320	3/8 x 7	15-5/8 x 10-3/4	1/2 x 1-1/16	31-5/16	9-1/2	343	163
30	31.740	1/2 x 10	16-5/8 x 15	1/2 x 1-1/16	36-3/4	13	455	222
30	32.000	1/2 x 10	16-5/8 x 15	1/2 x 1-1/16	37	13	451	270
36	37.960	1/2 x 10	18-5/8 x 15	1/2 x 1-1/16	42-15/16	13	382	332
36	38.300	1/2 x 10	18-5/8 x 15	1/2 x 1-1/16	43-5/16	13	378	337
42	44.200	1/2 x 10	20-5/8 x 15	1/2 x 1-1/16	49-3/16	13	327	394
42	44.500	1/2 x 10	20-5/8 x 15	1/2 x 1-1/16	49-1/2	13	324	398
48	50.500	1/2 x 10	22-5/8 x 15	1/2 x 1-1/16	55-1/2	13	285	440
48	50.800	1/2 x 10	22-5/8 x 15	1/2 x 1-1/16	55-1/2	13	283	440

Style 138 Couplings For Plain-End Cast-Iron Pipe

Nominal Size (CIP)	Pipe O. D. Range (In)		Middle Ring Thickness & Length (A&B)	Bolts No./Diam. & Length (D&E)	Overall Dimensions		Max. Work. Pressure Lbs. per Sq. In.	Approx. Shipping Weight (Lbs.)
	END 1	END 2			Diam. (H)	Length (L)		
2	2.34 - 2.63	2.34 - 2.63	.188 x 5	2-5/8 x 8-1/4	6	7	250	7
2-1/2	2.65 - 2.88	2.65 - 2.88	.180 x 5	2-5/8 x 8-1/4	6-1/2	7	250	8.5
3	2.85 - 3.13	2.85 - 3.13	3/8 x 5	4-5/8 x 8-1/4	7-3/4	7	250	12.5
	3.50	3.50						
	3.80 - 3.96	3.80 - 3.96						
	3.97 - 4.14	3.97 - 4.14						
	3.50	2.85 - 3.13						
3.80 - 3.96	3.50							

Style 138 Couplings For Plain-End Cast-Iron Pipe (Cont'd)



Nominal Size (CIP)	Pipe O. D. Range (In)		Middle Ring Thickness & Length (A&B)	Bolts No./Diam. & Length (D&E)	Overall Dimensions		Max. Work. Pressure Lbs. per Sq. In.	Approx. Shipping Weight (Lbs.)
	END 1	END 2			Diam. (H)	Length (L)		
3	3.80 - 3.96	2.85 - 3.13	3/8 x 5	4-5/8 x 8-1/4	7-3/4	7	250	12.5
	3.97 - 4.14	2.85 - 3.13						
	3.97 - 4.14	3.50						
	3.97 - 4.14	3.80 - 3.96						
4	4.00 - 4.15	4.00 - 4.15	3/8 x 5	4-5/8 x 8-1/4	8-13/16	7.5	250	15
	4.22 - 4.50	4.22 - 4.50						
	4.46 - 4.86	4.46 - 4.86						
	4.80 - 5.10	4.80 - 5.10						
	5.11 - 5.45	5.11 - 5.45						
	4.22 - 4.50	4.00 - 4.15						
	4.46 - 4.86	4.00 - 4.15						
	4.46 - 4.86	4.22 - 4.50						
	4.80 - 5.10	4.00 - 4.15						
	4.80 - 5.10	4.22 - 4.50						
	4.80 - 5.10	4.46 - 4.86						
	5.11 - 5.45	4.00 - 4.15						
	5.11 - 5.45	4.22 - 4.50						
	5.11 - 5.45	4.46 - 4.86						
6	6.00 - 6.15	6.00 - 6.15	3/8 x 5 or 7	4-5/8 x 8-1/4-10-3/4	11-3/16	7.5/9.5	250	23.5
	6.28 - 6.63	6.28 - 6.63						
	6.56 - 6.96	6.56 - 6.96						
	6.90 - 7.22	6.90 - 7.22						
	7.25 - 7.65	7.25 - 7.65						
	6.28 - 6.63	6.00 - 6.15						
	6.56 - 6.96	6.00 - 6.15						
	6.56 - 6.96	6.28 - 6.63						
	6.90 - 7.22	6.00 - 6.15						
	6.90 - 7.22	6.28 - 6.63						
	6.90 - 7.22	6.56 - 6.96						
	7.25 - 7.65	6.00 - 6.15						
	7.25 - 7.65	6.28 - 6.63						
	7.25 - 7.65	6.56 - 6.96						
7.25 - 7.65	6.90 - 7.22							
8	8.00 - 8.16	8.00 - 8.16	3/8 x 5 or 7	6-5/8 x 8-1/4-10-3/4	13-5/16	7.5/9.5	250	32
	8.40 - 8.63	8.40 - 8.63						
	8.54 - 9.11	8.54 - 9.11						
	9.05 - 9.30	9.05 - 9.30						
	9.05 - 9.45	9.05 - 9.45						
	9.46 - 9.85	9.46 - 9.85						
	8.40 - 8.63	8.00 - 8.16						
	8.54 - 9.11	8.00 - 8.16						
	8.54 - 9.11	8.40 - 8.63						
	9.05 - 9.45	8.00 - 8.16						
	9.05 - 9.45	8.40 - 8.63						
	9.05 - 9.45	8.54 - 9.11						
	9.46 - 9.85	8.00 - 8.16						
	9.46 - 9.85	8.40 - 8.63						
9.46 - 9.85	8.54 - 9.11							
9.46 - 9.85	9.05 - 9.45							
10	10.00	10.00	3/8 x 7	6-5/8 x 10-3/4	15-3/4	10	250	52
	10.50 - 10.75	10.50 - 10.75						
	11.10 - 11.60	11.10 - 11.60						
	11.65 - 11.88	11.65 - 11.88						
	11.90 - 12.20	11.90 - 12.20						
	10.50 - 10.75	10.00						
	11.10 - 11.60	10.00						
	11.10 - 11.60	10.50 - 10.75						
	11.65 - 11.88	10.00						
	11.65 - 11.88	10.50 - 10.75						
	11.65 - 11.88	11.10 - 11.60						
	11.90 - 12.20	10.00						
	11.90 - 12.20	10.50 - 10.75						
	11.90 - 12.20	11.10 - 11.60						
11.90 - 12.20	11.65 - 11.88							
12	12.00 -	12.00	3/8 x 7	8-5/8 x 10-3/4	17-15/16	9-1/2	250	55
	12.50 - 12.75	12.50 - 12.75						
	13.20 - 13.50	13.20 - 13.50						
	13.51 - 13.75	13.51 - 13.75						
	13.90 - 14.20	13.90 - 14.20						
	14.21 - 14.40	14.21 - 14.40						
	12.50 - 12.75	12.00						
	13.20 - 13.50	12.00						

Style 138 Couplings For Plain-End Cast-Iron Pipe (Cont'd)



Nominal Size (CIP)	Pipe O. D. Range (In)		Middle Ring Thickness & Length (A&B)	Bolts No./Diam. & Length (D&E)	Overall Dimensions		Max. Work. Pressure Lbs. per Sq. In.	Approx. Shipping Weight (Lbs.)
	END 1	END 2			Diam. (H)	Length (L)		
12	13.20 - 13.50	12.50 - 12.75	3/8 x 7	8-5/8 x 10-3/4	17-15/16	9-1/2	250	55
	13.51 - 13.75	12.00						
	13.51 - 13.75	12.5 - 12.75						
	13.51 - 13.75	13.2 - 13.50						
	13.90 - 14.20	12.00						
	13.90 - 14.20	12.5 - 12.75						
	13.90 - 14.20	13.2 - 13.50						
	13.90 - 14.20	13.51 - 13.75						
	14.21 - 14.40	12.00						
	14.21 - 14.40	12.5 - 12.75						
	14.21 - 14.40	13.2 - 13.5						
	14.21 - 14.40	13.51 - 13.75						
	14.21 - 14.40	13.90 - 14.20						
	14.21 - 14.40	13.90 - 14.20						
14	15.30 - 16.90	15.30 - 15.50	3/8 x 7	8-5/8 x 10-3/4	20-3/8	9-1/2	250	58
	15.30 - 15.50							
	15.55 - 15.80							
	16.22							
	16.41 - 16.55							
	16.73 - 16.90							
	16.73 - 16.90							
	15.55 - 15.80							
	16.22							
	16.22							
	15.55 - 15.80							
	16.41 - 16.55							
	15.30 - 15.50							
	16.41 - 16.55							
	15.55 - 15.80							
	16.41 - 16.55							
16.22								
16.73 - 16.90								
15.30 - 15.50								
16.73 - 16.90								
15.55 - 15.80								
16.73 - 16.90								
16.22								
16.73 - 16.90								
16.41 - 16.55								
16	17.40 - 17.80	17.40 - 17.80	3/8 x 7	10-5/8 x 10.75/13.75	22-13/16	9.5/11.5	250	80
	18.46 - 18.90	18.46 - 18.90						
	18.90 - 19.20	18.90 - 19.20						
	18.46 - 18.90	17.40 - 17.80						
	18.90 - 19.20	17.40 - 17.80						
	18.90 - 19.20	17.40 - 17.80						
	18.90 - 19.20	18.46 - 18.90						