

TECHNO™ General Purpose Wafer Style Tilting Disc Check Valves



TECHNO™

TECHNO SERIES 100 CHECK VALVES

General Purpose 2" - 12" (-40°F to 500°F)*

APPLICATIONS:

- Gas Gathering Systems
- Transfer Systems for Grains and Other Dry Products
- Heating and Air Conditioning
- Water Systems and Plumbing
- Gas Distribution
- Petroleum Products Transfer and Storage
- Irrigation Systems
- Chemical Processing
- Refinery Cooling Towers

INSTALLATION

The TECHNO Series 100 Valve is designed to locate between standard ASME Class 150 raised or flat face flanges.

Concentric grooved facing is standard on all valves. Standard gasketing material is adequate.

Should not be used with lined products or those having pipe walls heavier than Schedule 40.

In horizontal lines, the lifting lug should be positioned at the top.

Vertical up installation requires addition of a travel stop.

MINIMAL PRESSURE DROP

Maximum flow thanks to the thin, smooth disc design

SIMPLICITY OF DESIGN

Only one moving part assures long, trouble-free service

VARIETY OF MATERIALS

Body, disc and seat materials to meet your special applications

ONE PIECE THROUGH STEM

Strong, positive disc support

EASY INSTALLATION

Lightweight, compact, with position lugs

THIN WAFER DESIGN

For limited accesses and compact applications

BALANCED DISC

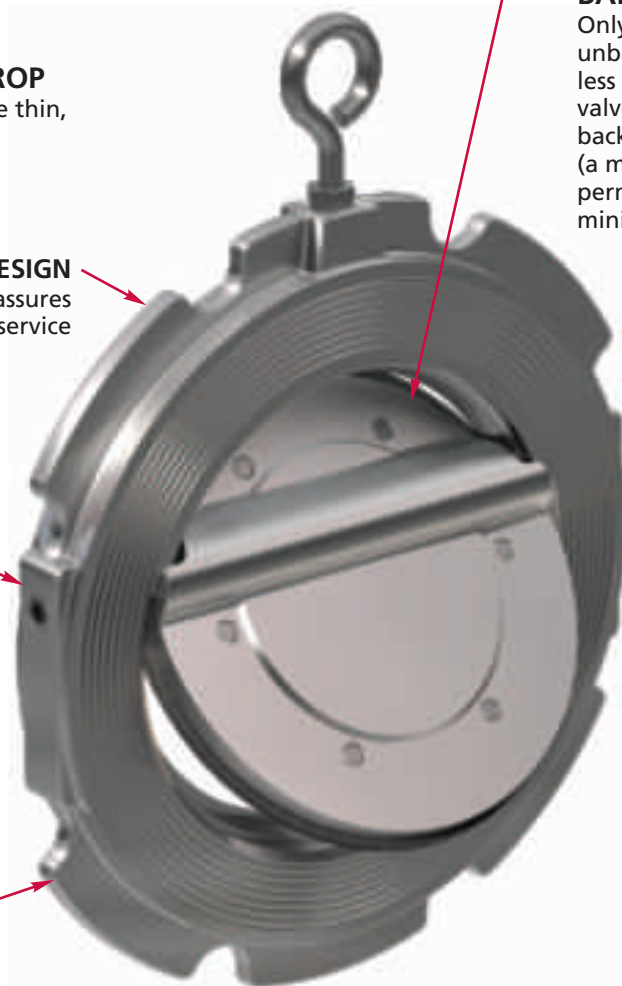
Only 33% of the disc area is unbalanced. This is considerably less than conventional check valves. This feature tends to reduce backflow and eliminate slamming (a major factor in valve failure) and permits the disc to open with a minimum of pressure differential

STEM BUSHINGS

For extended service life

LOW COST

Substantial cost savings over swing checks, ball checks, plug checks, spring checks



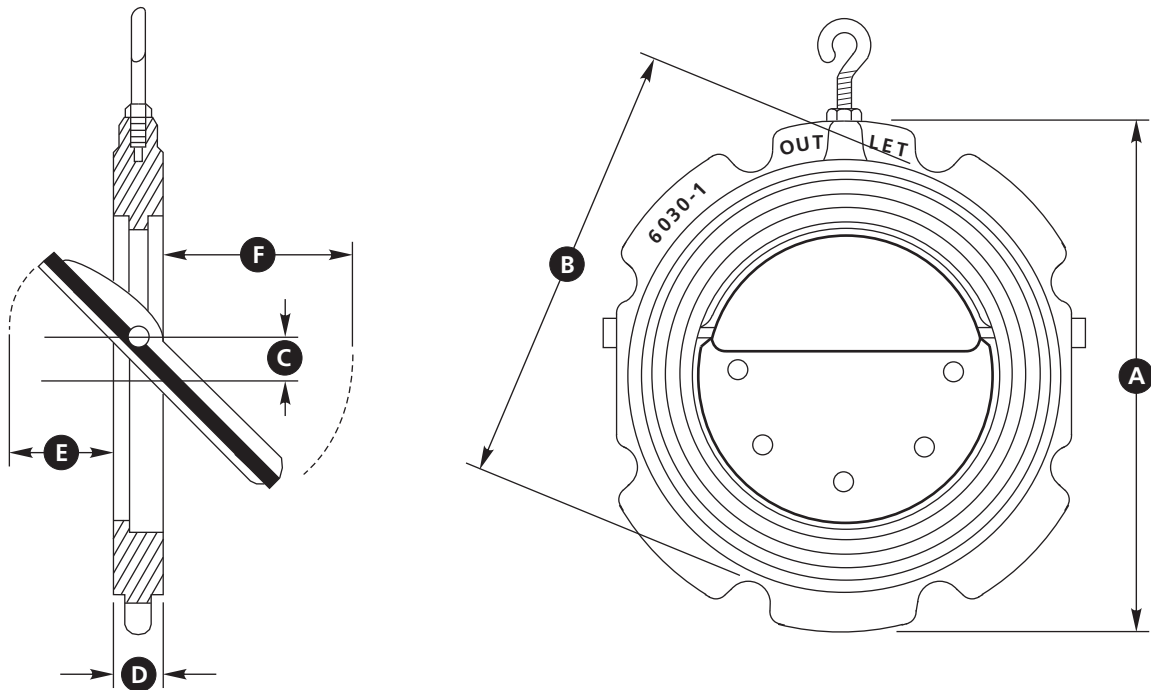
STANDARD MODELS AND MATERIALS OF CONSTRUCTION

Style	Body and Disc	Cold Working Pressure (psi)
100-AL	Aluminum**	50
100-CS	Carbon Steel	150
100-SS	Stainless Steel	150

** For Sizes 3 in. - 6 in. use Series 110. See page 5.

- 1) All models are standard with:
 - Buna-N Seat
 - Stainless Steel Stem and Hardware
 - Teflon Stem Bushings
- 2) Optional Seat Materials include: EPDM, Viton, Teflon and Silicone
- 3) * Temperature range depends on Seat Material.

TECHNO SERIES 100 CHECK VALVES



GENERAL DIMENSIONS FOR SERIES 100

NOMINAL VALVE SIZE in.	A	B	C	D	E	F
2	N/A	4 1/8	5/16	23/32	3/8	7/8
2 1/2	5 1/8	4 7/8	3/8	13/16	1/2	1 3/16
3	5 7/8	5 3/8	7/16	11/16	7/16	1 9/16
4	7 1/8	6 7/8	9/16	3/4	1	2 1/8
5	N/A	7 3/4	7/8	3/4	1	2 3/4
6	9 7/8	8 5/8	1	7/8	1 5/8	3 1/4
8	12 1/8	11	1 1/8	1 1/4	1 1/4	4 7/16
10	14 1/4	13 3/8	1 5/16	1 1/2	2 3/4	5 3/8
12	17	16 1/8	2 1/16	1 3/4	2 11/16	6 13/16

All Dimensions in inches.

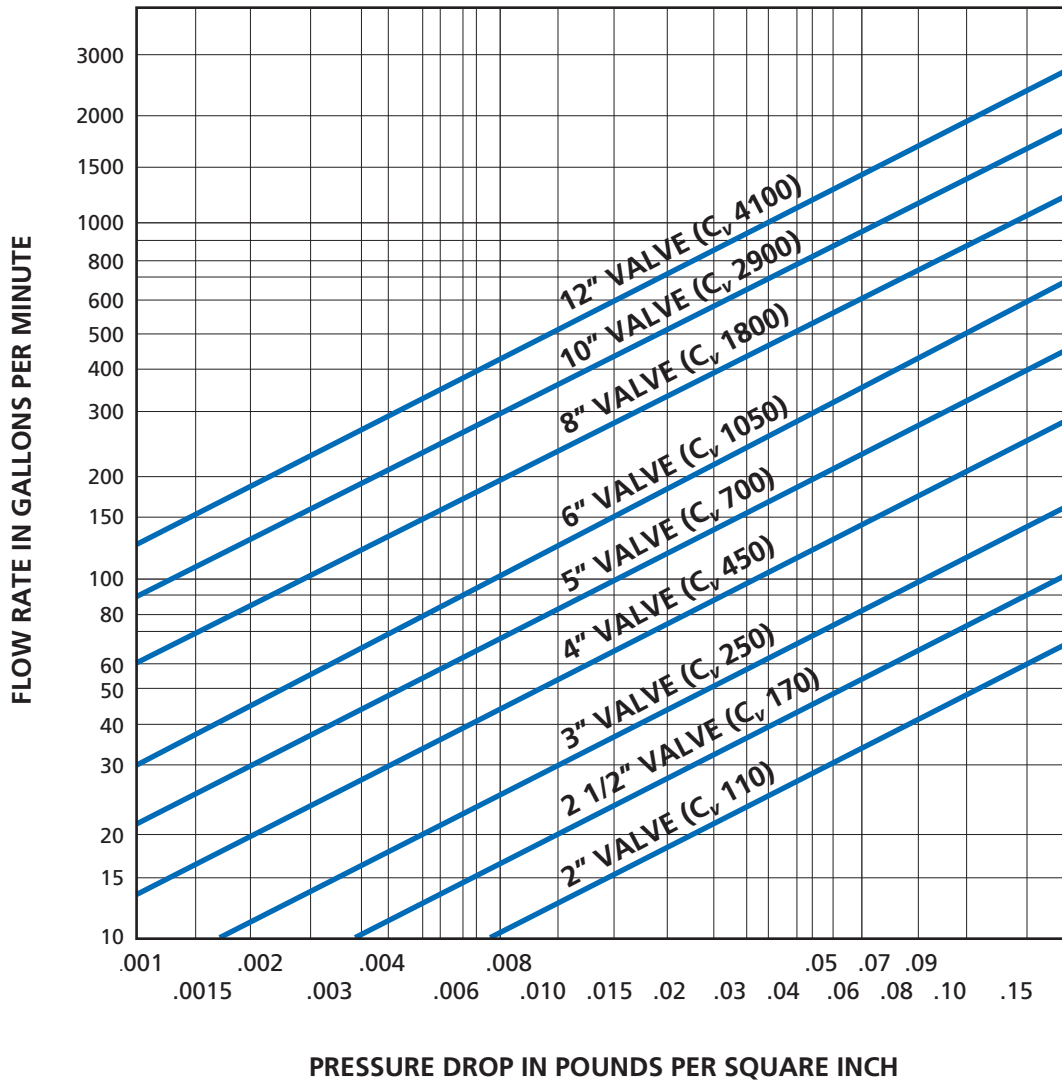
10 inch valve and under: Tolerance on Face-to-Face dimensions, -1/16 inch.

12 inch valve: Tolerance on Face-to-Face dimension, -1/8 inch.

Dimensions are subject to change without notice.

TECHNO SERIES 100 CHECK VALVES LOW PRESSURE DROP PERFORMANCE

CHECK VALVE FLOW DATA



TRADEMARK INFORMATION

TECHNO™ is a registered trademark which is owned by Cameron.

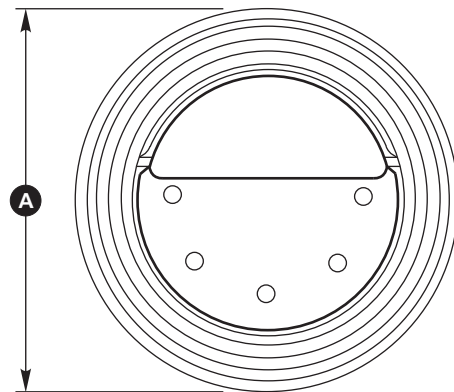
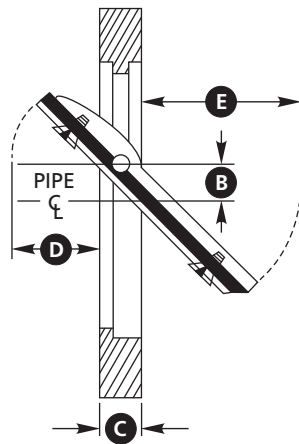
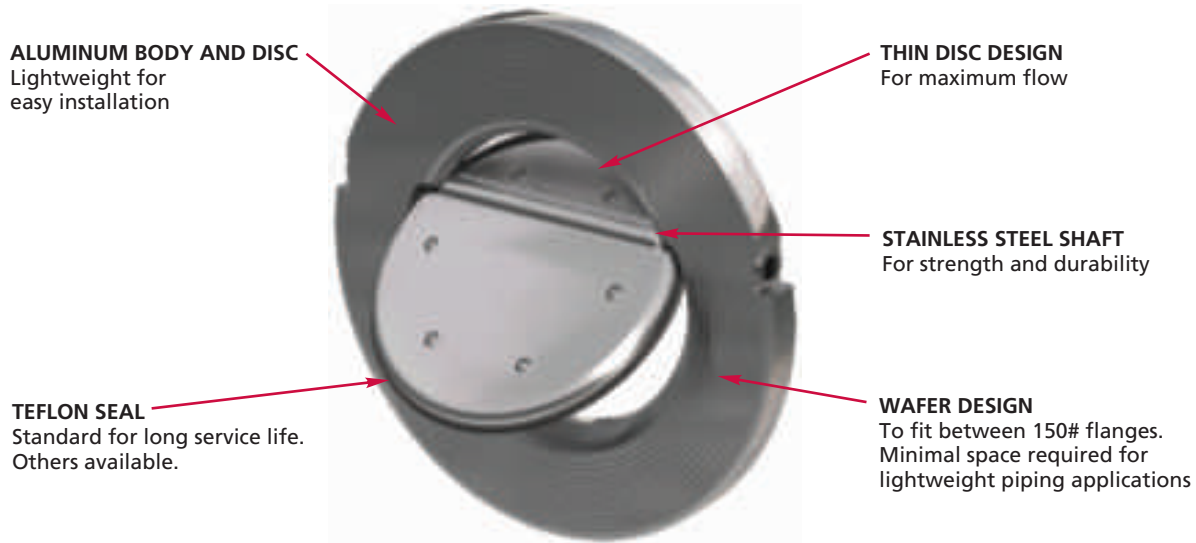
This document contains references to registered trademarks or product designations, which are not owned by Cameron.

Trademark	Owner
TEFLON	E.I. DuPont De Nemours & Company
VITON	E.I. DuPont De Nemours & Company

TECHNOCHECK SERIES 110 CHECK VALVES

General Purpose, Light Duty (50 psi - Cold Working Pressure), Sizes 3 in. - 6 in.

APPLICATIONS: Pneumatic and Bulk Material Handling



GENERAL DIMENSIONS FOR SERIES 110

NOMINAL VALVE SIZE in.	A	B	C	D	E
3	5 3/8	9/16	9/16	7/16	1 5/8
4	6 7/8	3/4	21/32	3/4	2 1/4
5	7 3/4	7/8	0.725	7/8	2 7/8
6	8 3/4	1 1/8	11/16	1 5/16	3 1/2

All Dimensions in inches.

Should not be used with lined products or those having pipe walls heavier than Schedule 40.

Vertical up installation requires addition of a travel stop.

FOR MATERIALS, SIZES AND PRESSURE RATINGS NOT SHOWN, REFER TO SERIES 100.

CERTIFICATIONS



ISO 9001 CERTIFIED



**VALVES & MEASUREMENT**

3250 Briarpark Drive, Suite 300
Houston, Texas 77042
USA Toll Free 800 323 9160

For the most current contact and location information go to: www.c-a-m.com/valvesandmeasurement