



Type 56D/75D Butterfly Valve

Specifications

Sizes: Gear: 16" - 24"
Models: Wafer Style
Operators: Gear
Bodies: PDCPD
Discs: PP and PVDF
Seats: EPDM or FKM, Also Nitrile,
Seals: Same as seating material
Stems: 403 and 316 stainless steel, titanium, Hastelloy C[®]†, etc

Standard Features (Sizes 16" - 24")

- Standard model 16" - 24" has PDCPD body w/PP Disc
- Our 403 stainless steel shaft has full engagement over the entire length of the disc and is a non-wetted part, totally isolated from the media.
- Higher Pressure Rating Than Standard 56 or 75 110 PSI at 70° F - All Sizes 16" - 24"
- Seat Over-Tightening Protection
- Disc and Seat only Wetted Parts
- Bubble Tight Sealing
- ISO bolt circle on top flange
 - no body or stem modifications required for accessories.

Options

- Pneumatically and electrically actuated with accessories
- Alternate disc: PVDF
- Stems in 316 stainless steel, titanium, Hastelloy C[®] etc.
- 2" square nut on gear operator
- Stem extensions (single stem and two-piece stem)
- Locking devices
- Chain operators
- Manual limit switch - Asahi P-Series

Parts List

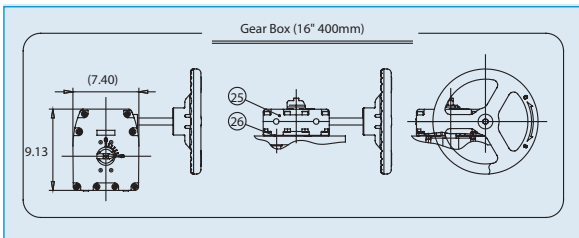
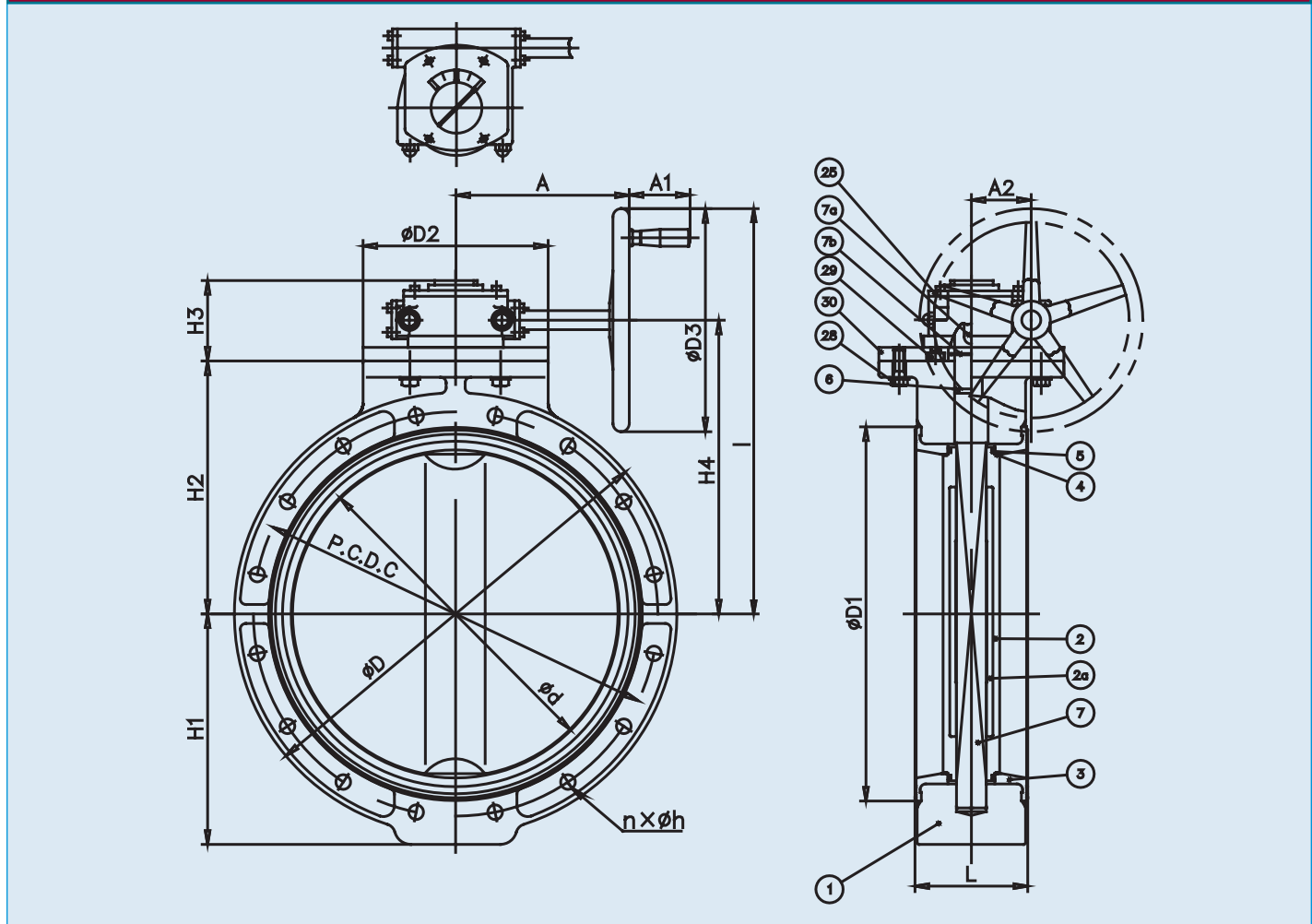
PARTS			
NO.	DESCRIPTION	PCS.	MATERIAL
1	Body	1	PDCPD
2	Disc	1	PP, PVDF
2a	Disc Insert	1	AC4C
3	Seat	1	FKM, EPDM
4	O-Ring (A)	2	FKM, EPDM
5	O-Ring (B)	2	FKM, EPDM
6	O-Ring (C)	1	FKM, EPDM
7	Stem	1	Stainless Steel 403
7B	Snap Ring	1	Stainless Steel 304
7A	Key (A)	1	Carbon Steel
25	Gear Box	1	16" - Plasgear TM 18" - 24" - Cast Aluminium Alloy
28	Bolt (C)	4	Stainless Steel 304
29	Bolt (D)	4	Stainless Steel 304
30	Stand	1	Stainless Steel 400

Sample Specification

All solid thermoplastic butterfly valves sizes 16" - 24" shall be of the lined body design & bubble-tight seal (meeting or exceeding Class VI as defined by American National Standard Institute) with only the liner & disk as wetted parts Gear operators shall be worm gear design, self locking Plasgear 16", or Cast Iron with corrosion resistant finish sizes 18", 20", & 24". The disc shall be of solid, abrasion-resistant plastic 16", or metal reinforced 18" - 24", have double o-ring seals on top & bottom trunnions of the same materials as the valve liner. Liner shall be molded & formed around the body. functioning as gasket seals with convex ring design on each side of the valve for lower bolt tightening torque. Stem shall be of 403 stainless steel, non wetted & have engagement over the full length of the disc. Valves shall have a molded ISO bolt pattern on top flange for actuator mount. PP conforming to ASTM D4101 Cell Classification PPO210B67272, and PVDF conforming to ASTM D 3222 Cell Classification Type II. All PDVPD body valves shall be rated to 110 psi size at 70 degree F. Butterfly valves shall be wafer style, as manufactured by Asahi/America.

Type 56D/75D – Gear

Butterfly Valves



Dimensions (Sizes 16" - 24")

NOMINAL SIZE		ANSI Class 150																Gear Box Model
INCHES	mm	d	C	n	h	D	D1	D2	D3	L	H1	H2	H3	I	A	A1	A2	
16	400	15.98	21.26	16	1.12	24.41	18.50	9.25	11.81	6.65	12.40	13.78	4.25	21.26	10.70	-	3.91	BRF-10
18	450	17.80	22.76	20	1.26	26.18	20.67	13.39	16.14	7.05	13.19	14.57	5.47	25.59	12.56	3.35	4.33	BRF-10
20	500	19.76	25.00	20	1.26	28.35	22.64	13.39	16.14	7.48	14.37	15.75	5.47	26.77	12.56	3.35	4.33	BRF-10
24	600	23.74	29.53	20	1.38	32.01	27.01	13.39	16.14	8.23	16.69	18.31	5.47	29.33	12.56	3.35	4.33	BRF-20

Pressure vs. Temperature (PSI, WATER, NON-SHOCK)*

MODEL	Body		PDCPD				PDCPD			
	Disc		PP				PVDF			
	NOMINAL SIZE		30 F°	78 F°	141 F°	176 F°	30 F°	78 F°	141 F°	176 F°
	INCHES	mm	77 F°	140 F°	175 F°	194 F°	77 F°	140 F°	175 F°	210 F°
16	400	110	90	45	15	110	90	45	30	
18-24	450-600	110	90	45	15	110	90	45	30	

EPDM: Up to 194°F, Others: Up to 210°F