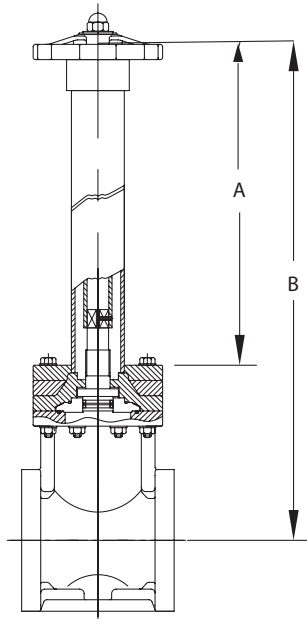
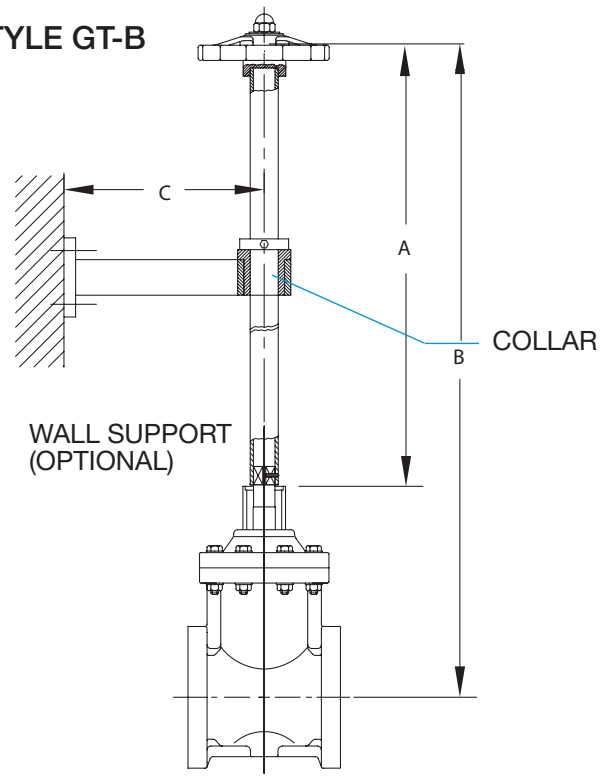


STYLE GT-A



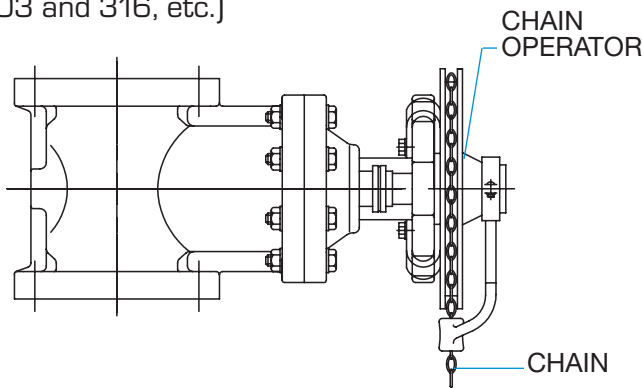
STYLE GT-B



Please use Stem Extension Work Sheet on Page 20 when ordering any stem extension

Two-piece Stem Housing

For submerged or buried applications. PVC housing protects stem extensions from aggressive environments. Stems are available in carbon steel with baked powder epoxy coating, stainless steel (303 and 316, etc.)



Chain Operator

For overhead, out-of-reach locations. The valve is operated by pulling on the chain installed on round hand-wheel.

Locking Mechanism

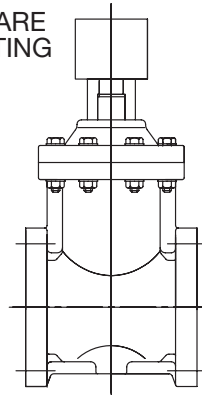
Prevents unauthorized cycling of a valve. Designed to be secured with a padlock. Two designs.

Single Stem Extensions (Non-supported)

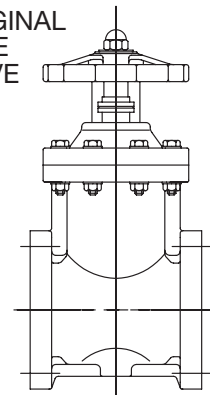
Valve handle can be extended away from the valve for out-of-reach locations. Stems come in Carbon Steel with baked powder epoxy coating, stainless steel (303 and 316 etc.)

Option: Wall-support (Patented) and Collar

2" SQUARE OPERATING NUT



ORIGINAL GATE VALVE



Remote Operating Nuts

2" square configuration on valve stem, replacing the hand-wheel. Used for remote operation of a valve by an extended wrench.

Material: 6061 Aluminum, anodized finish

Special O-Rings

FKM O-rings for corrosive applications.

Stem Extensions Data Sheet

Stem Extension Work Sheet

Please copy this sheet and send it to us at 800-787-6861 with every stem extension order.

1. Customer Name _____ Order No. _____

2. Valve Size _____

Ball valves Type 21 Type 23

Butterfly valves Type 57 or Type 56 or Type 75 and Lever or Gear

Diaphragm valves Type 14 , Type 15 or Type G

Gate valves

3. Extension Style Letter _____

4. Extension Length _____ft _____ in. Dimension A or B

5. Special Instructions

No Stem Extension Orders will be processed without completed Stem Extension Work Sheet.